

Instructions for use

WASHER DRYER

GB

English,1

CIS

РУССКИЙ, 13

PL

Polski,25

ARMXXD 109

GB

Contents

Installation, 2-3

Unpacking and levelling
Connecting the electricity and water supplies
The first wash cycle
Technical data

Description of the washer dryer, 4-5

Control panel
Display

How to run a wash cycle or a drying cycle, 6

Wash cycles and functions, 7

Table of wash cycles
Wash functions

Detergents and laundry, 8

Detergent dispenser drawer
Preparing the laundry
Special wash cycles
Load balancing system

Precautions and tips, 9

General safety
Disposal
Opening the porthole door manually

Care and maintenance, 10

Cutting off the water or electricity supply
Cleaning the washer dryer
Cleaning the detergent dispenser drawer
Caring for the door and drum of your appliance
Cleaning the pump
Checking the water inlet hose

Troubleshooting, 11

Service, 12

 **Hotpoint**

ARISTON

Installation

GB

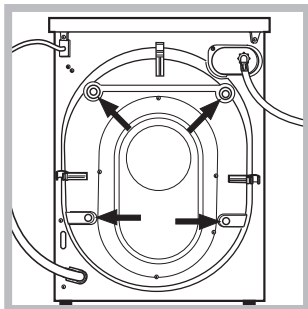
! This instruction manual should be kept in a safe place for future reference. If the washer dryer is sold, transferred or moved, make sure that the instruction manual remains with the machine so that the new owner is able to familiarise himself/herself with its operation and features.

! Read these instructions carefully: they contain vital information relating to the safe installation and operation of the appliance.

Unpacking and levelling

Unpacking

1. Remove the washer dryer from its packaging.
2. Make sure that the washer dryer has not been damaged during the transportation process. If it has been damaged, contact the retailer and do not proceed any further with the installation process.



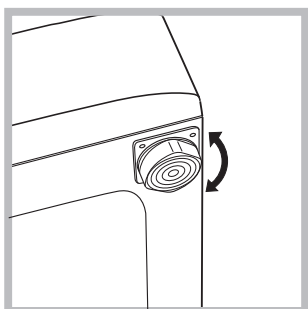
3. Remove the 4 protective screws (used during transportation) and the rubber washer with the corresponding spacer, located on the rear part of the appliance (see figure).

4. Close off the holes using the plastic plugs provided.
5. Keep all the parts in a safe place: you will need them again if the washer dryer needs to be moved to another location.

! Packaging materials should not be used as toys for children.

Levelling

1. Install the washer dryer on a flat sturdy floor, without resting it up against walls, furniture cabinets or anything else.

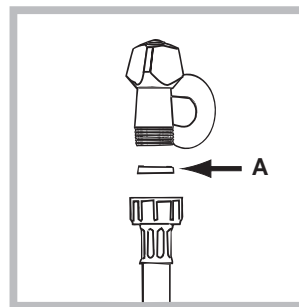


2. If the floor is not perfectly level, compensate for any unevenness by tightening or loosening the adjustable front feet (see figure); the angle of inclination, measured in relation to the worktop, must not exceed 2°.

Levelling the machine correctly will provide it with stability, help to avoid vibrations and excessive noise and prevent it from shifting while it is operating. If it is placed on carpet or a rug, adjust the feet in such a way as to allow a sufficient ventilation space underneath the washer dryer.

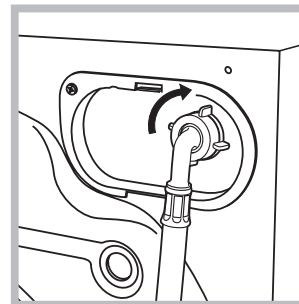
Connecting the electricity and water supplies

Connecting the water inlet hose



1. Insert seal A into the end of the inlet hose and screw the latter onto a cold water tap with a 3/4 gas threaded opening (see figure).

Before performing the connection, allow the water to run freely until it is perfectly clear.



2. Connect the inlet hose to the washer dryer by screwing it onto the corresponding water inlet of the appliance, which is situated on the top right-hand side of the rear part of the appliance (see figure).

3. Make sure that the hose is not folded over or bent.

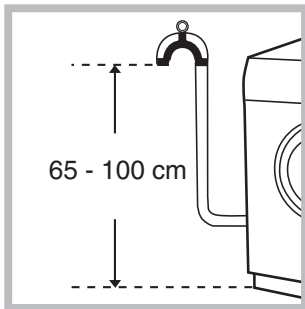
! The water pressure at the tap must fall within the values indicated in the Technical details table (see next page).

! If the inlet hose is not long enough, contact a specialised shop or an authorised technician.

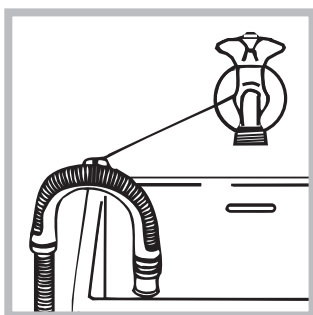
! Never use second-hand hoses.

! Use the ones supplied with the machine.

Connecting the drain hose



Connect the drain hose, without bending it, to a drainage duct or a wall drain located at a height between 65 and 100 cm from the floor;



alternatively, rest it on the side of a washbasin or bathtub, fastening the duct supplied to the tap (see figure). The free end of the hose should not be underwater.

! We advise against the use of hose extensions; if it is absolutely necessary, the extension must have the same diameter as the original hose and must not exceed 150 cm in length.

Electrical connections

Before plugging the appliance into the electricity socket, make sure that:

- the socket is earthed and complies with all applicable laws;
- the socket is able to withstand the maximum power load of the appliance as indicated in the Technical data table (see opposite);
- the power supply voltage falls within the values indicated in the Technical data table (see opposite);
- the socket is compatible with the plug of the washer dryer. If this is not the case, replace the socket or the plug.

! The washer dryer must not be installed outdoors, even in covered areas. It is extremely dangerous to leave the appliance exposed to rain, storms and other weather conditions.

! When the washer dryer has been installed, the electricity socket must be within easy reach.


! Do not use extension cords or multiple sockets.

! The cable should not be bent or compressed.



! The power supply cable must only be replaced by authorised technicians.

Warning! The company shall not be held responsible in the event that these regulations are not respected.

The first wash cycle

Once the appliance has been installed, and before you use it for the first time, run a wash cycle with detergent and no laundry, using the wash cycle .

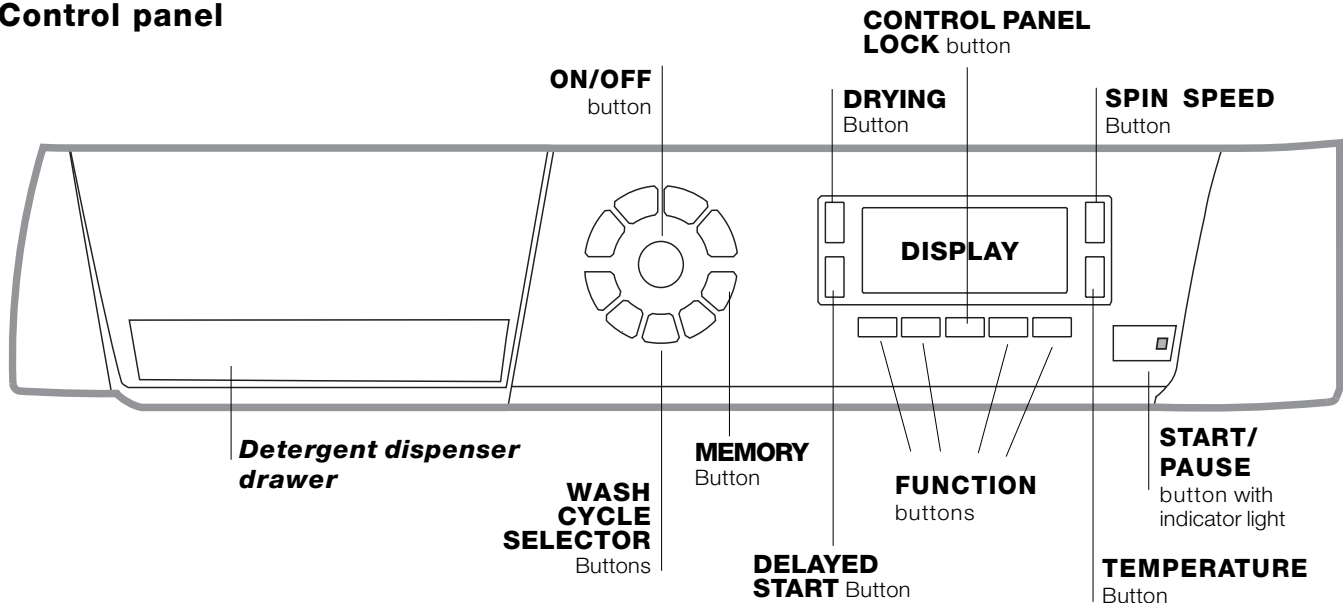
Technical data

Model	ARMXXD 109
Dimensions	width 59.5 cm height 85 cm depth 53,5 cm
Capacity	from 1 to 7 kg for the wash programme; from 1 to 5 kg for the drying programme
Electrical connections	please refer to the technical data plate fixed to the machine
Water connections	maximum pressure 1 MPa (10 bar) minimum pressure 0.05 MPa (0.5 bar) drum capacity 52 litres
Spin speed	up to 1000 rotations per minute
Energy rated programmes according to regulation EN 50229	Wash: programme  (1 st press of the button); temperature 60°C; using a load of 7 kg. Drying: first drying cycle performed with a 2 kg load, by selecting the "IRON DRY" dryness level; The second drying cycle is performed with a 5 kg load, by selecting the "CUPBORD DRY" dryness level.
	This appliance conforms to the following EC Directives: - 89/336/EEC dated 03/05/89 (Electromagnetic Compatibility) and subsequent modifications - 2006/95/EC (Low Voltage) - 2002/96/EC


Description of the washer dryer

GB

Control panel




Detergent dispenser drawer: used to dispense detergents and washing additives (see "Detergents and laundry").


ON/OFF button : press this briefly to switch the machine on or off. The START/PAUSE indicator light, which flashes slowly in a green colour shows that the machine is switched on. To switch off the washer dryer during the wash cycle, press and hold the button for approximately 2 seconds; if the button is pressed briefly or accidentally the machine will not switch off. If the machine is switched off during a wash cycle, this wash cycle will be cancelled.



WASH CYCLE SELECTOR buttons: used to set the desired wash cycle (see "Table of wash cycles").


MEMORY button: press and hold the button to store a cycle with your own set of preferences in the memory of the machine. To recall a previously stored cycle, press the MEMO button.

FUNCTION buttons: press the button to select the desired function. The corresponding indicator light on the display will switch on.


SPIN button : press to reduce or completely exclude the spin cycle - the value is indicated on the display.

TEMPERATURE button : press to decrease the temperature: the value will be shown on the display.

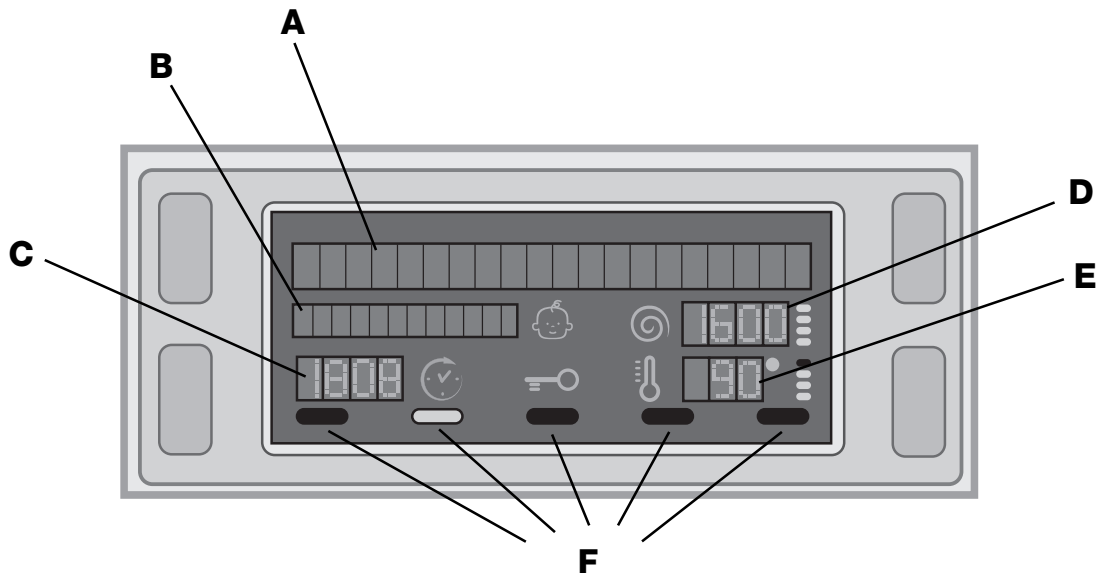
CONTROL PANEL LOCK button : to **activate** the control panel lock, press and hold the button for approximately 2 seconds. When the symbol  is illuminated, the control panel is locked. This means it is possible to prevent wash cycles from being modified accidentally, especially where there are children in the home. To **deactivate** the control panel lock, press and hold the button for approximately 2 seconds.

DELAYED START button : press to set a delayed start time for the selected wash cycle. The delay time will be shown on the display.

DRYING button : press to set a drying cycle.

START/PAUSE button with indicator light: when the green indicator light flashes slowly, press the button to start a wash cycle. Once the cycle has begun the indicator light will remain lit in a fixed manner. To pause the wash cycle, press the button again; the indicator light will flash in an orange colour. If the symbol  is not illuminated, the door may be opened. To start the wash cycle from the point at which it was interrupted, press the button again.

Display



The display is useful when programming the machine and provides a great deal of information.

The upper two strings **A** and **B** are used to display the selected wash cycle or the type of drying selected, the current wash cycle phase (the selected dryness level or drying time) and all the indications relating to the progress status of the cycle.

String **C** shows the time remaining until the end of the wash cycle in progress and, if a DELAYED START has been set, the time remaining until the start of the selected wash cycle.

String **D** shows the maximum spin speed value (this depends on the selected wash cycle); if the wash cycle does not include a spin cycle, the string remains unused.

String **E** shows the maximum temperature value which may be selected (this depends on the wash cycle used); if the temperature of the wash cycle cannot be modified, the string remains unused.

Indicator lights **F** correspond to the functions and light up when the selected function is compatible with the set wash cycle.

Door locked symbol

If the symbol is lit, this indicates that the washer dryer door is blocked to prevent it from being opened accidentally. To prevent any damage from occurring, wait for the symbol to switch itself off before opening the appliance door.

N.B.: if the DELAYED START function has been activated, the door cannot be opened; pauses the machine by pressing the START/PAUSE button if you wish to open it.


! The first time the machine is switched on, you will be asked to select the language and the display will automatically show the language selection menu.



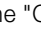
To select the desired language press the TEMPERATURE and SPIN buttons; to confirm the selection press the DRYING button.


If you wish to select another language, press and hold the DRYING + TEMPERATURE + SPIN buttons **simultaneously** for 5 seconds, then repeat the steps listed above.


How to run a wash cycle or a drying cycle

GB

- SWITCH THE MACHINE ON.** Press the  button; the text WELCOME will appear on the display and the START/PAUSE indicator light will flash slowly in a green colour.
- LOAD THE LAUNDRY.** Open the porthole door. Load the laundry, making sure you do not exceed the maximum load value indicated in the table of programmes on the following page.
- MEASURE OUT THE DETERGENT.** Pull out the detergent dispenser drawer and pour the detergent into the relevant compartments as described in "Detergents and laundry".
- CLOSE THE DOOR.**
- SELECT THE WASH CYCLE.** Press one of the WASH CYCLE SELECTOR buttons to select the required wash cycle; the name of the wash cycle will appear on the display. A temperature and spin speed is set for each wash cycle; these may be adjusted. The duration of the cycle will appear on the display.
- CUSTOMISE THE WASH CYCLE.** Use the relevant buttons:

 **Modifying the temperature and/or spin speed.** The machine automatically selects the maximum temperature and spin speed set for the selected wash cycle; these values cannot therefore be increased. The temperature can be decreased by pressing the  button, until the cold wash "OFF" setting is reached. The spin speed may be progressively reduced by pressing the  button, until it is completely excluded (the "OFF" setting). If these buttons are pressed again, the maximum values are restored.

 **Setting a delayed start.**
To set a delayed start for the selected programme, press the corresponding button repeatedly until the required delay period has been reached. When this option is enabled, the  symbol lights up on the display. To remove the delayed start function press the button until the text "OFF" appears on the display.

 **Setting the drying cycle.**
The desired drying cycle type may be set by pressing the DRYING button once or several times. Two options are available:

A - Based on the how damp the clothes are once they have been dried:

Iron dry: slightly damp clothes, easy to iron.

Hanger dry: dry clothes to put away.

Cupboard dry: very dry clothes, recommended for towelling and bathrobes.

B - Based on time: from 40 minutes to 180.

To exclude the drying phase press the relevant button until the text OFF appears on the display.

If your laundry load to be washed and dried is much greater than the maximum stated load (see adjacent table), perform the wash cycle, and when the cycle is complete, divide the garments into groups and put some of them back in the drum. At this point, follow the instructions provided for a "Drying only" cycle. Repeat this procedure for the remainder of the load.

N.B: a cooling-down period is always added to the end of each drying cycle.

Drying only




Select a drying setting ( -  - ) using the WASH CYCLE selector in accordance with the type of fabric, then select the desired drying type using the DRYING button.

Table of Drying times (guideline values)

Fabric type	Load type	Max. load (kg)	Cupboard dry	Hanger dry	Iron dry
Cotton	Clothing of different sizes, Terry towels	5	180	170	160
Synthetics	Sheets, Shirts, Pyjamas, socks, etc.	3	180	170	160
Wool	Knitwear, Pullovers, etc.	1,5	150	140	130

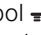
Modifying the cycle settings.

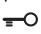
- Press the button to enable the function; the indicator light corresponding to the button will switch on.
- Press the button again to disable the function; the indicator light will switch off.

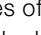
! If the selected function is not compatible with the programmed wash cycle, the indicator light will flash and the function will not be activated.

! If the selected function is not compatible with another function which has been selected previously, the indicator light corresponding to the first function selected will flash and only the second function will be activated; the indicator light corresponding to the enabled function will remain lit.

! The functions may affect the recommended load value and/or the duration of the cycle.

- START THE PROGRAMME.** Press the START/PAUSE button. The corresponding indicator light will become green, remaining lit in a fixed manner, and the door will be locked (the DOOR LOCKED symbol  will be on). During the wash cycle, the name of the phase in progress will appear on the display. To change a wash cycle while it is in progress, **pause the washer dryer** using the START/PAUSE button (the START/PAUSE indicator light will flash slowly in an orange colour); then select the desired cycle and press the START/PAUSE button again.

To open the door while a cycle is in progress, press the START/PAUSE button; if the DOOR LOCKED  symbol is switched off the door may be opened. Press the START/PAUSE button again to restart the wash cycle from the point at which it was interrupted.

- THE END OF THE WASH CYCLE.** This will be indicated by the text "END OF CYCLE" on the display; when the DOOR LOCKED  symbol switches off the door may be opened. Open the door, unload the laundry and switch off the machine.

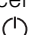
! If you wish to cancel a cycle which has already begun, press and hold the  button. The cycle will be stopped and the machine will switch off.

Table of wash cycles

Wash cycles	Description of the wash cycle	Max. temp. (°C)	Max. speed (rpm)	Dry-ing	Detergents			Max. load (kg)		Cycle duration	
					Bleach	Wash	Fabric softener	Normal	Mini Load		
Everyday wash cycles (Daily)											
	Cottons (*) (1 st press of the button): extremely soiled whites.	90°	1000	●	●	●	●	7	3	The duration of the wash cycles can be checked on the display.	
	Cottons (2 nd press of the button): heavily soiled whites and resistant colours.	60°	1000	●	●	●	●	7	3		
	Cottons (3 rd press of the button): heavily soiled whites and delicate colours.	40°	1000	●	●	●	●	7	3		
	Synthetics (1 st press of the button): heavily soiled resistant colours.	60°	800	●	●	●	●	3	1,5		
	Synthetics (2 nd press of the button): lightly soiled resistant colours.	40°	800	●	●	●	●	3	1,5		
	Mix 30' (1 st press of the button): to refresh lightly soiled garments quickly (not suitable for wool, silk and clothes which require washing by hand).	30°	800	●	-	●	●	3	-		
	Mix 15' (2 nd press of the button): to refresh lightly soiled garments quickly (not suitable for wool, silk and clothes which require washing by hand).	30°	800	●	-	●	●	1,5	-		
	Silk/Curtains : for garments in silk and viscose, lingerie.	30°	0	-	-	●	●	1	1		
M	Memory : allows for any wash cycle to be stored.										
	Wool : for wool, cashmere, etc.	40°	800	●	●	●	●	1,5	1		
Drying programmes											
	Cotton dry (1 st press of the button)	-	-	●	-	-	-	5	-		
	Synthetics dry (2 nd press of the button)	-	-	●	-	-	-	3	-		
	Wool dry (3 rd press of the button)	-	-	●	-	-	-	1,5	-		
Partial wash cycles											
	Spin	-	1000	●	-	-	-	7	-		
	Rinse (1 st press of the button)	-	1000	●	●	-	●	7	3		
	Pump out (2 nd press of the button)	-	0	-	-	-	-	7	-		

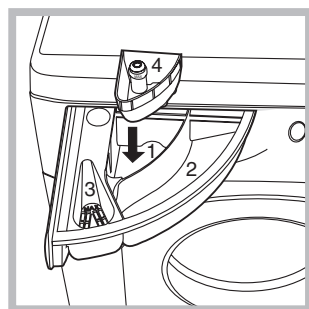
For all Test Institutes:

* Test wash cycle in compliance with regulation EN 50229: set wash cycle with a temperature of 60°C.

Wash functions

Stain removal

This function is particularly useful for the removal of stubborn stains. Place extra compartment 4 (supplied) into compartment 1. When pouring in the bleach, be careful not to exceed the "max" level marked on the central pivot (see figure).



To run the bleach cycle on its own, pour the bleach into extra compartment 4, set the "Rinse" programme and activate the "Stain removal" programme. To bleach during a wash cycle, pour in the detergent and any fabric softener you wish to use, set the desired wash

cycle and enable the "Stain removal" function.

! The use of extra compartment 4 excludes the "Pre-wash" function.

! It cannot be used with the , , , "Pump out" and Drying programmes.

Extra rinse

By selecting this option, the efficiency of the rinse is increased and optimal detergent removal is guaranteed. It is particularly useful for sensitive skin.

! It cannot be used in conjunction with the , , "Pump out" and Drying programmes.

Easy iron

By selecting this function, the wash and spin cycles will be modified in order to reduce the formation of creases. At the end of the cycle the washer dryer will perform slow rotations of the drum; the EASY IRON indicator light will switch on, the START/PAUSE indicator light will flash in an orange colour and the text "END OF CYCLE" will appear on the display. To end the cycle, press the START/PAUSE button or the EASY IRON button.

For the **Silk/Curtains** cycle, the machine will end the cycle while the laundry is soaking; the EASY IRON indicator light will switch on, the START/PAUSE indicator light will flash in an orange colour and the text "STOP WITH WATER" will appear on the display. To drain the water so that the laundry may be removed, press the START/PAUSE button or the EASY IRON button.

! It may not be used with the , , , "Pump out" and Drying programmes.

Mini load

This function is recommended for when the load of laundry is equal to half, or less than half, of the maximum recommended load (see *Table of wash cycles*).

! It cannot be used with the , , "Pump out" and Drying programmes.

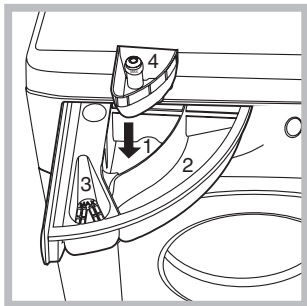
Detergents and laundry

GB

Detergent dispenser drawer

Good washing results also depend on the correct dose of detergent: adding too much detergent will not necessarily result in a more efficient wash, and may in fact cause build up on the inside of your appliance and contribute to environmental pollution.

! Do not use hand washing detergents because these create too much foam.



Open the detergent dispenser drawer and pour in the detergent or washing additive, as follows.

compartment 1: Pre-wash detergent (powder)

Before pouring in the detergent, make sure that extra compartment 4 has been removed.

compartment 2: Detergent for the wash cycle (powder or liquid)

Liquid detergent should only be poured in immediately prior to the start of the wash cycle.

compartment 3: Additives (fabric softeners, etc.)

The fabric softener should not overflow the grid.

extra compartment 4: Bleach

Preparing the laundry

- Divide the laundry according to:
 - the type of fabric/the symbol on the label
 - the colours: separate coloured garments from whites
- Empty all garment pockets and check the buttons.
- Do not exceed the listed values, which refer to the weight of the laundry when dry:
 - Durable fabrics: max. 7 kg
 - Synthetic fabrics: max. 3 kg
 - Delicate fabrics: max. 2 kg
 - Wool: max. 1.5 kg
 - Silk: max. 1 kg

How much does your laundry weigh?

- 1 sheet 400-500 g
- 1 pillow case 150-200 g
- 1 tablecloth 400-500 g
- 1 bathrobe 900-1200 g
- 1 towel 150-250 g

Special wash cycles

Mix 30': this wash cycle was designed to wash lightly soiled garments quickly: it lasts just 30 minutes and therefore saves both energy and time. By selecting this wash cycle (☺ at 30°C), it is possible to wash different fabrics together (except for wool and silk items), with a maximum load of 3 kg.

Mix 15': this wash cycle was designed to wash lightly soiled garments quickly: it lasts just 15 minutes and therefore saves both energy and time. By selecting this wash cycle (☺ at 30°C), it is possible to wash different fabrics together (except for wool and silk items), with a maximum load of 1.5 kg.

Silk: use special wash cycle (☺) to wash all silk garments. We recommend the use of special detergent which has been designed to wash delicate clothes.

Curtains: fold curtains and place them in a pillow case or mesh bag. Use wash cycle (☺).

Wool: Hotpoint/Ariston is the only washer dryer manufacturer to have been awarded the prestigious Woolmark Platinum Care endorsement (M.0508) by the Woolmark Company, which means that all woollen garments may be washed in the washer dryer, even those which state "hand wash only" (☺) on the label. Wash cycle (☺) therefore offers complete peace of mind when washing woollen garments in the washer dryer (max. load 1.5 kg) and guarantees optimal performance.

Load balancing system

Before every spin cycle, to avoid excessive vibrations and to distribute the load in a uniform manner, the drum rotates continuously at a speed which is slightly greater than the washing rotation speed. If, after several attempts, the load is not balanced correctly, the machine spins at a reduced spin speed. If the load is excessively unbalanced, the washer dryer performs the distribution process instead of spinning. To encourage improved load distribution and balance, we recommend small and large garments are mixed in the load.

! This washer dryer was designed and constructed in accordance with international safety regulations. The following information is provided for safety reasons and must therefore be read carefully.

General safety

- This appliance was designed for domestic use only.
- The washer dryer must only be used by adults, in accordance with the instructions provided in this manual.
- Do not touch the machine when barefoot or with wet or damp hands or feet.
- Do not pull on the power supply cable when unplugging the appliance from the electricity socket. Hold the plug and pull.
- Do not open the detergent dispenser drawer while the machine is in operation.
- Do not touch the drained water as it may reach extremely high temperatures.
- Never force the porthole door. This could damage the safety lock mechanism designed to prevent accidental opening.
- If the appliance breaks down, do not under any circumstances access the internal mechanisms in an attempt to repair it yourself.
- Always keep children well away from the appliance while it is operating.
- The door can become quite hot during the wash cycle.
- If the appliance has to be moved, work in a group of two or three people and handle it with the utmost care. Never try to do this alone, because the appliance is very heavy.
- Before loading laundry into the washer dryer, make sure the drum is empty.
- During the drying phase, the door tends to get quite hot.
- Do not use the appliance to dry clothes that have been washed with flammable solvents (e.g. trichlorethylene).
- Do not use the appliance to dry foam rubber or similar elastomers.
- Make sure that the water tap is turned on during the drying cycles.

Disposal

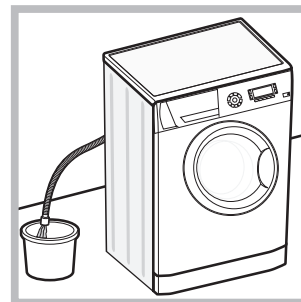
- Disposing of the packaging materials: observe local regulations so that the packaging may be re-used.
- The European Directive 2002/96/EC on Waste Electrical and Electronic Equipment, requires that old household electrical appliances must not be disposed of in the normal unsorted municipal waste stream. Old appliances must be collected separately in order to optimise the recovery and

recycling of the materials they contain and reduce the impact on human health and the environment. The crossed out "wheeled bin" symbol on the product reminds you of your obligation, that when you dispose of the appliance it must be separately collected.

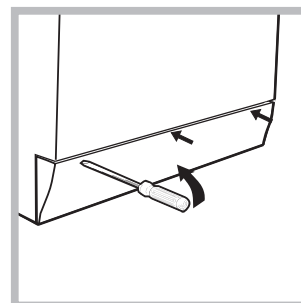
Consumers should contact their local authority or retailer for information concerning the correct disposal of their old appliance.

Opening the porthole door manually

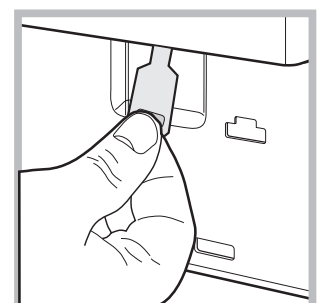
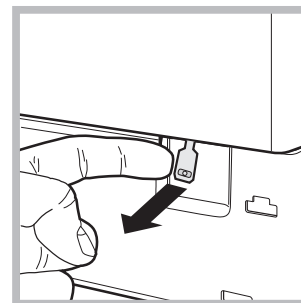
In the event that it is not possible to open the porthole door due to a powercut, and if you wish to remove the laundry, proceed as follows:



1. remove the plug from the electrical socket.
2. make sure the water level inside the machine is lower than the door opening; if it is not, remove excess water using the drain hose, collecting it in a bucket as indicated in the figure.



3. using a screwdriver, remove the cover panel on the lower front part of the washer dryer (see figure).



4. pull outwards using the tab as indicated in the figure, until the plastic tie-rod is freed from its stop position; pull downwards and open the door at the same time.

5. reposition the panel, making sure the hooks are securely in place before you push it onto the appliance.

Care and maintenance

GB

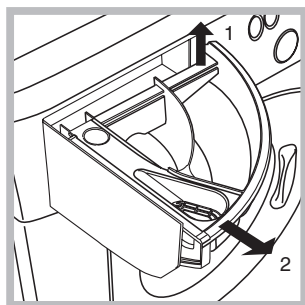
Cutting off the water and electricity supplies

- Turn off the water tap after every wash cycle. This will limit wear on the hydraulic system inside the washer dryer and help to prevent leaks.
- Unplug the washer dryer when cleaning it and during all maintenance work.

Cleaning the washer dryer

The outer parts and rubber components of the appliance can be cleaned using a soft cloth soaked in lukewarm soapy water. Do not use solvents or abrasives.

Cleaning the detergent dispenser drawer



Remove the dispenser by raising it and pulling it out (see figure). Wash it under running water; this operation should be repeated frequently.

Caring for the door and drum of your appliance

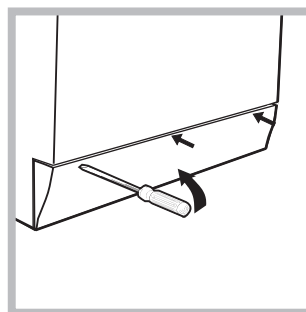
- Always leave the porthole door ajar in order to prevent unpleasant odours from forming.

Cleaning the pump

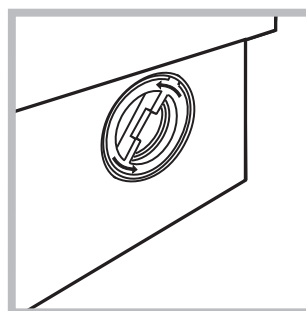
The washer dryer is fitted with a self-cleaning pump which does not require any maintenance. Sometimes, small items (such as coins or buttons) may fall into the pre-chamber which protects the pump, situated in its bottom part.

! Make sure the wash cycle has finished and unplug the appliance.

To access the pre-chamber:



1. using a screwdriver, remove the cover panel on the lower front part of the washer dryer (see figure);



2. unscrew the lid by rotating it anti-clockwise (see figure): a little water may trickle out. This is perfectly normal;

3. clean the inside thoroughly;
4. screw the lid back on;
5. reposition the panel, making sure the hooks are securely in place before you push it onto the appliance.

Checking the water inlet hose

Check the inlet hose at least once a year. If there are any cracks, it should be replaced immediately: during the wash cycles, water pressure is very strong and a cracked hose could easily split open.

! Never use second-hand hoses.

Your washer dryer could fail to work. Before contacting the Technical Assistance Centre (see “Assistance”), make sure that the problem cannot be not solved easily using the following list.

Problem:

The washer dryer does not switch on.

The wash cycle does not start.

The washer dryer does not take in water (the text "NO WATER, CHECK SUPPLY" appears on the display).

The washer dryer continuously takes in and drains water.

The washer dryer does not drain or spin.

The washer dryer vibrates a lot during the spin cycle.

The washer dryer leaks.

The machine is locked and the display flashes, indicating an error code (e.g. F-01, F-..).

There is too much foam.

The washer-dryer does not dry.

Possible causes / Solutions:

- The appliance is not plugged into the socket fully, or is not making contact.
- There is no power in the house.
- The washer dryer door is not closed properly.
- The ON/OFF button has not been pressed.
- The START/PAUSE button has not been pressed.
- The water tap has not been opened.
- A delayed start has been set (see “How to run a wash cycle or a drying cycle”).
- The water inlet hose is not connected to the tap.
- The hose is bent.
- The water tap has not been opened.
- There is no water supply in the house.
- The pressure is too low.
- The START/PAUSE button has not been pressed.

- The drain hose is not fitted at a height between 65 and 100 cm from the floor (see “Installation”).
- The free end of the hose is under water (see “Installation”).
- The wall drainage system is not fitted with a breather pipe.

If the problem persists even after these checks, turn off the water tap, switch the appliance off and contact the Assistance Service. If the dwelling is on one of the upper floors of a building, there may be problems relating to water drainage, causing the washer dryer to fill with water and drain continuously. Special anti-draining valves are available in shops and help to avoid this inconvenience.

- The wash cycle does not include draining: some wash cycles require the drain phase to be started manually (see “Wash cycles and functions”).
- The EASY IRON function has been activated: To complete the wash cycle, press the START/PAUSE button (see “Wash cycles and functions”).
- The drain hose is bent (see “Installation”).
- The drainage duct is clogged.

- The drum was not unlocked correctly during installation (see “Installation”).
- The washer dryer is not level (see “Installation”).
- The washer dryer is trapped between cabinets and walls (see “Installation”).

- The water inlet hose is not screwed on properly (see “Installation”).
- The detergent dispenser drawer is blocked (for cleaning instructions, see “Care and maintenance”).
- The drain hose is not fixed properly (see “Installation”).

- Switch off the machine and unplug it, wait for approximately 1 minute and then switch it back on again.
- If the problem persists, contact the Technical Assistance Service.

- The detergent is not suitable for machine washing (it should display the text “for washer dryers” or “hand and machine wash”, or the like).
- Too much detergent was used.

- The appliance is not plugged into the socket, or not enough to make contact.
- There has been a power failure.
- The appliance door is not shut properly.
- A delayed start has been set.
- DRYING is in the **OFF** position.

Service

GB

Before calling for Assistance:

- Check whether you can solve the problem alone (see “*Troubleshooting*”);
- Restart the programme to check whether the problem has been solved;
- If this is not the case, contact an authorised Technical Assistance Centre using the telephone number provided on the guarantee certificate.

! Always request the assistance of authorised technicians.

Have the following information to hand:

- the type of problem;
- the appliance model (Mod.);
- the serial number (S/N).

This information can be found on the data plate applied to the rear of the washer dryer, and can also be found on the front of the appliance by opening the door.

CIS

Русский

ARMXXD 109

Содержание

Установка 14-15

Распаковка и нивелировка
Подключение к водопроводу и электричеству
Первый цикл стирки
Технические характеристики

Описание стиральной машины, 16-17

Панель управления
Дисплей

Порядок осуществления цикла мойки или сушки, 18

Программы и функции, 19

Таблица программ
Функции стирки

Стиральные вещества и типы белья, 20

Распределитель моющих средств
Подготовка белья
Специальные программы
Система балансировки белья

Предосторожности и рекомендации, 21

Общие требования к безопасности
Утилизация
Аварийное открытие люка

Техническое обслуживание и уход, 22

Отключение воды и электрического тока
Уход за стиральной машиной
Уход за распределителем моющих средств
Уход за люком и барабаном
Уход за насосом
Проверка водопроводного шланга

Неисправности и методы их устранения, 23

Сервисное обслуживание, 24

 **Hotpoint**
ARISTON

CIS

Установка

CIS

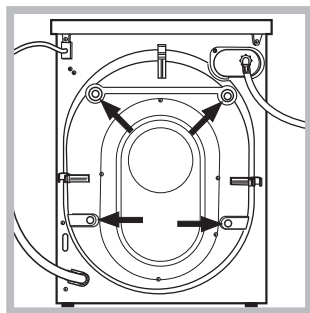
! Важно сохранить данное руководство для его последующего использования в случае продажи, передачи или переезда на новую квартиру необходимо проверить, чтобы руководство оставалось вместе со стиральной машиной, чтобы ее новый владелец мог ознакомиться с порядком ее функционирования и соответствующими предупреждениями.

! Аккуратно прочитайте инструкции: в них содержатся важные сведения об установке изделия, его эксплуатации и безопасности.

Распаковка и нивелировка

Снятие упаковки

1. Снимите с машины упаковку.
2. Проверьте, чтобы стиральная машина не была повреждена в процессе перевозки. В случае обнаружения повреждений немедленно обратитесь к поставщику, не подключая машину.



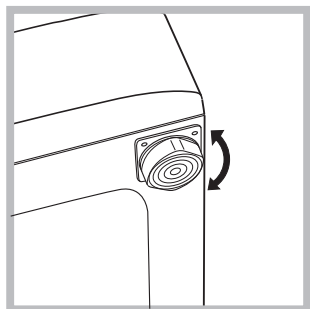
3. Снимите 4 транспортировочных болта, предохраняющие машину в процессе перевозки, и резиновую заглушку с соответствующей распорной шайбой, расположенные в задней части стиральной машины (см. схему).

4. Закройте отверстия прилегающими пластиковыми заглушками.
5. Сохраните все детали: они должны быть установлены на стиральную машину в случае ее перевозки.

! Не разрешайте детям играть с упаковочными материалами.

Нивелировка

1. Установите стиральную машину на ровном и прочном полу, не прислоняя ее к стенам, мебели и прочим предметам.

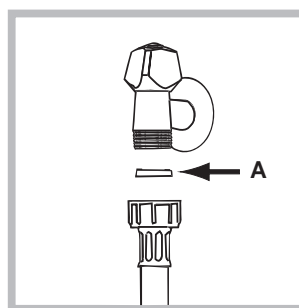


2. Если пол не является идеально горизонтальным, необходимо компенсировать неровность, отрегулировав по высоте передние ножки (см. схему). Уклон, измеренный при помощи уровня, установленного на поверхность машины, не должен превышать 2°.

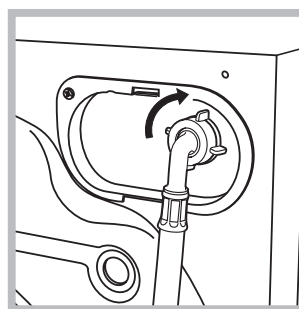
Точная нивелировка обеспечивает стабильность стиральной машины, помогает избежать ее вибраций и смещений в процессе функционирования. В случае установки машины на ковер или ковролин отрегулируйте ножки таким образом, чтобы под стиральной машиной оставался достаточный зазор для вентиляции.

Подключение к водопроводу и электричеству

Порядок подключения к водопроводному шлангу



1. Вставьте прокладку A в конец водопроводного шланга и привинтите его к водопроводному крану холодной воды с резьбовым отверстием 3/4 газ (см. схему). Перед подсоединением откройте водопроводный кран до тех пор, пока из него не потечет чистая вода.



2. Подсоедините водопроводный шланг к машине, привинтив его к специальному водопроводному крану, расположенному в задней верхней части справа (см. схему).

3. Проверьте, чтобы водопроводный шланг не был заломлен или сжат.

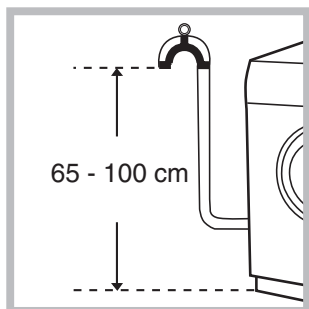
! Давление воды в водопроводном кране должно быть в пределах значений, указанных в таблице Технические данные (см. страницу рядом).

! Если длина водопроводного шланга будет недостаточной, следует обратиться в специализированный магазин или в уполномоченный сервисный центр.

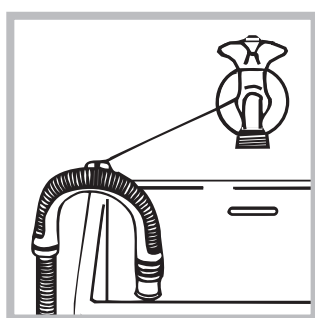
! Никогда не пользуйтесь б/у шлангами.

! Используйте шланги, прилагающиеся к машине.

Подсоединение сливного шланга



Подсоедините сливной шланг, не перегибая его, к сливной трубе или к настенному сливному отверстию, распложенному на высоте от 65 до 100 см от пола,



или поместите шланг в раковину или в ванну, закрепив прилагающуюся направляющую к крану (см. схему). Свободный конец сливного шланга не должен быть погружен в воду.

! Не рекомендуется использовать удлинительные шланги. При необходимости удлинение должно иметь такой же диаметр, что и оригинальный шланг, и его длина не должна превышать 150 см.

Подключение к электросети

Перед включением изделия к розетке электросети необходимо проверить следующее:

- розетка электросети должна быть соединена с заземлением и соответствовать нормативам;
- розетка электросети должна быть рассчитана на максимальную мощность стиральной машины, указанную в таблице Технические данные (см. таблицу сбоку);
- напряжение электросети должно соответствовать значениям, указанным в таблице Технические данные (см. таблицу сбоку);
- электрическая розетка должна подходить к штепсельной вилке стиральной машины. В противном случае необходимо заменить розетку.

! Запрещается устанавливать стиральную машину на улице, даже под навесом, так как опасно подвергать ее воздействию дождя и грозы.

! Стиральная машина должна быть расположена таким образом, чтобы доступ к розетке электросети оставался свободным.


! Не используйте удлинители и тройники.

! Сетевой кабель изделия не должен быть согнут или сжат.


! Замена сетевого кабеля может осуществляться только уполномоченными сервисными центрами.

Внимание! Фирма снимает с себя всякую ответственность в случае несоблюдения вышеописанных правил.

Первый цикл стирки

По завершении установки, перед началом эксплуатации необходимо произвести один цикл стирки со стиральным порошком, но без белья, по программе .

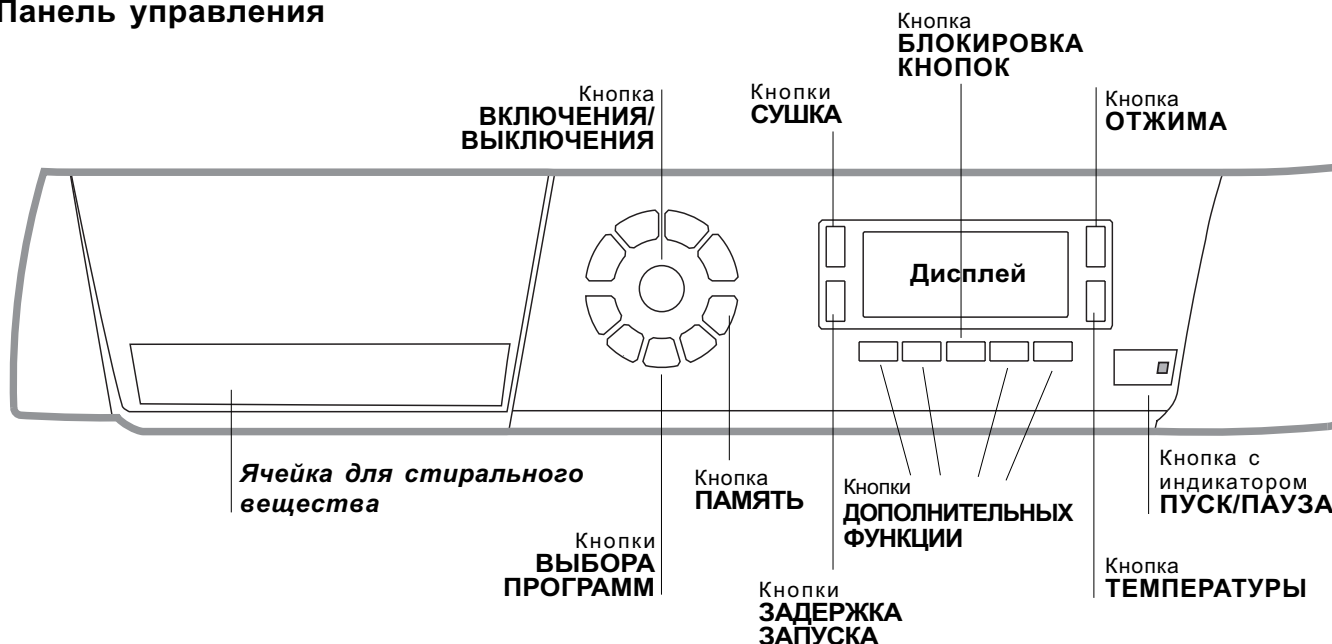
Технические характеристики

Модель	ARMXXD 109
Размеры	ширина 59,5 см высота 85 см глубина 53,5 см
Загрузка	от 1 до 7 кг на цикл стирки; от 1 до 5 кг на цикл сушки
Электрические параметры	смотрите паспортную табличку с техническими характеристиками на машине
Гидравлические параметры	max давление 1 Мпа (10 бар) min давление 0,05 Мпа (0,5 бар) объем барабана 52 л
Скорость отжима	до 1000 об/мин
Контрольные программы согласно нормативу EN 50229	стирки: программа  (1 нажатие кнопки); температура 60°C; при загрузке до 7 кг. сушка: первая сушка с загрузкой 2 кг белья при выборе режима сушки "ПОД УТИЮ"; вторая сушка с загрузкой 5 кг белья при выборе режима сушки "В ШКАФ".
 	Машина соответствует следующим Директивам Европейского Экономического сообщества: - 89/336 /ЕЕС от 03.05.89 (электромагнитной совместимости) и последующие модификации - 2006/95/CE (низкого напряжения) - 2002/96/CE


Описание стиральной машины

CIS

Панель управления




Ячейки для стирального вещества: для загрузки стиральных веществ и добавок (см. «Стиральные вещества и типы белья»).


Кнопка **ВКЛЮЧЕНИЕ/ВЫКЛЮЧЕНИЕ** : быстро нажмите эту кнопку для включения или выключения машины. Индикатор ПУСК/ПАУЗА, редко мигающий зеленым цветом, означает, что машина включена. Для выключения стиральной машины в процессе стирки необходимо держать нажатой кнопку, примерно 2 секунды. Короткое или случайное нажатие не приведет к отключению машины. В случае выключения машины в процессе стирки текущий цикл отменяется.


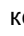
Кнопки **ВЫБОРА ПРОГРАММ**: служат для выбора нужной программы (см. «Таблица программ»).


Кнопка **ПАМЯТЬ**: держите нажатой эту кнопку для сохранения цикла и персонализированных вами программ. Для вызова ранее сохраненного цикла нажмите кнопку MEMO.


Кнопки **ДОПОЛНИТЕЛЬНЫХ ФУНКЦИЙ**: нажмите кнопку для выбора нужной вам функции. На дисплее загорится соответствующий индикатор.

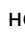
Кнопка **ОТЖИМ** : нажмите эту кнопку для сокращения скорости или полного исключения отжима – значение показывается на дисплее.

Кнопка **ТЕМПЕРАТУРА** : нажмите эту кнопку для уменьшения значения температуры: значение показывается на дисплее.

Кнопка **БЛОКИРОВКА КНОПОК** : для включения блокировки консоли управления держите кнопку нажатой примерно 2 секунды. Включенный  символ означает, что консоль управления заблокирована. Таким образом, программа не может быть случайно изменена, особенно если в доме дети. Для отключения блокировки консоли управления держите кнопку нажатой примерно 2 секунды.

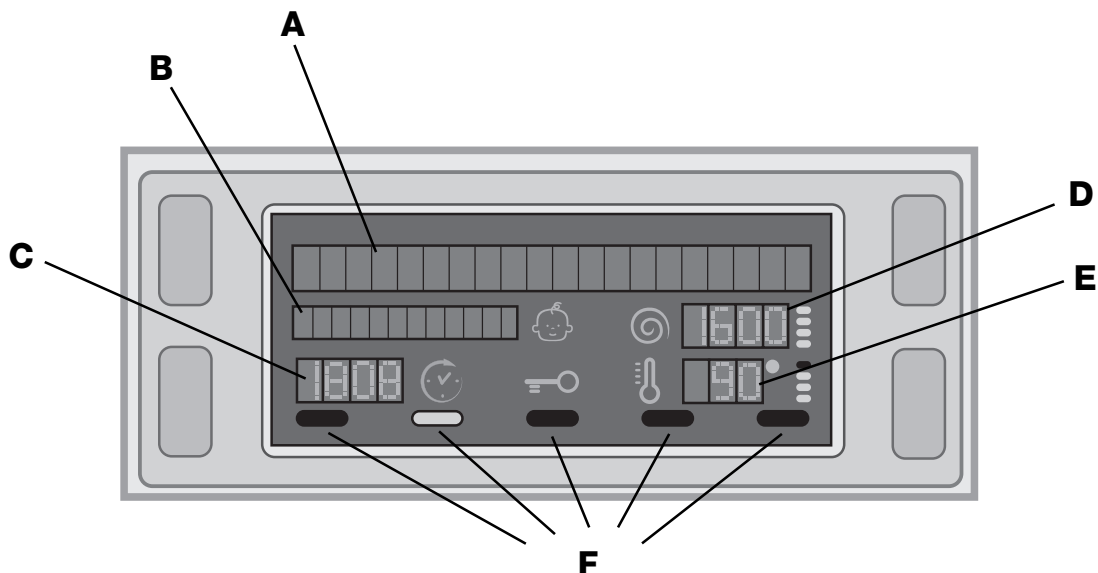
Кнопка **ПУСК С ЗАДЕРЖКОЙ** : нажмите для программирования времени задержки пуска выбранной программы. Время задержки показывается на дисплее.

Кнопка **СУШКА** : нажмите для выбора цикла сушки.

Кнопка с индикатором **ПУСК/ПАУЗА**: когда зеленый индикатор редко мигает, нажмите кнопку для запуска цикла стирки. После пуска цикла индикатор перестает мигать. Для прерывания стирки вновь нажмите эту кнопку; индикатор замигает оранжевым цветом. Если символ  не горит, можно открыть люк машины. Для возобновления стирки с момента, когда она была прервана, вновь нажмите эту кнопку.

Дисплей

CIS



Дисплей служит для программирования машины и предоставляет пользователю множество сведений.

В двух верхних строках **A** и **B** показывается выбранная программа стирки или режим сушки, текущая фаза стирки (выбранный режим сушки или продолжительность сушки) и все сведения о последовательности выполнения программы.

На строке **C** показывается время, остающееся до конца текущего цикла стирки и, если был задан ЗАДЕРЖКА ЗАПУСКА, время, остающееся до запуска выбранной программы.

На строке **D** показывается максимальное значение скорости отжима, который машина может выполнить в зависимости от выбранной программы; если выбранная программа не предусматривает отжим, данная строка не включается.

На строке **E** показывается максимальное значение температуры, которое можно выбрать в зависимости от выбранной программы; если выбранная программа не предусматривает настройку температуры, данная строка не включается.

Индикаторы **F** относятся к функциям и загораются, когда выбранная функция является совместимой с заданной программой.

Символ заблокированного люка $\equiv \text{O}$

Включенный символ означает, что люк заблокирован во избежание его случайного открывания. Во избежание повреждений, перед тем как открыть люк, необходимо дождаться, пока погаснет символ.

ПРИМЕЧАНИЕ: если включена функция ЗАПУСК С ЗАДЕРЖКОЙ, люк открыть нельзя. Для этого необходимо переключить машину в режим паузы при помощи кнопки ПУСК/ПАУЗА.





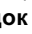



! При первом включении машины потребуется выбрать язык, и дисплей автоматически покажет страницу меню выбора языка.

Для выбора нужного языка нажмите кнопки ТЕМПЕРАТУРА и ОТЖИМ, для подтверждения выбора нажмите кнопку СУШКА.

Если вы хотите выбрать другой язык, нажмите одновременно кнопки СУШКА + ТЕМПЕРАТУРА и ОТЖИМ на 5 секунд, затем повторите вышеописанные операции.

Порядок осуществления цикла мойки или сушки

CIS

- 1. ПОРЯДОК ВКЛЮЧЕНИЯ МАШИНЫ.** Нажмите кнопку , на дисплее появится надпись ДОБРО ПОЖАЛОВАТЬ. Индикатор ПУСК/ПАУЗА редко мигает зеленым цветом.
- 2. ПОРЯДОК ЗАГРУЗКИ БЕЛЬЯ.** Откройте люк машины. Загрузите в барабан белье, не превышая максимальный допустимый вес, указанный в таблице программ на следующей странице.
- 3. ДОЗИРОВКА МОЮЩЕГО СРЕДСТВА.** Выньте распределитель и засыпьте моющее средство в специальные ячейки, как описано в разделе «Стиральные вещества и типы белья».
- 4. ЗАКРОЙТЕ ЛЮК.**
- 5. ВЫБОР ПРОГРАММЫ.** Нажмите одну из кнопок ВЫБОР ПРОГРАММЫ для выбора нужной программы. Название программы появится на дисплее. Вместе с программой будет показана температура и скорость отжима, которые могут быть изменены. На дисплее показывается продолжительность данного цикла.
- 6. ПЕРСОНАЛИЗАЦИЯ ЦИКЛА СТИРКИ.** Нажмите соответствующие кнопки:
  **Порядок изменения температуры и/или скорости отжима.** Машина автоматически устанавливает максимальные температуру и скорость отжима, допустимые для выбранной программы, следовательно, эти значения не могут быть увеличены. При помощи кнопки  можно постепенно уменьшить температуру вплоть до стирки в холодной воде "OFF". При помощи кнопки  можно постепенно уменьшить скорость отжима вплоть до его исключения "OFF". При еще одном нажатии этих кнопок вернутся максимальные допустимые значения.
 **Программирование задержка запуска.** Для программирования задержки пуска выбранной программы нажмите соответствующую кнопку вплоть до получения нужного значения задержки. Когда включена функция задержки, на дисплее загорается символ . Для отмены задержки пуска нажмите кнопку вплоть до появления на дисплее надписи OFF.
 **Программирование сушки.** Нажав кнопку СУШКА один или несколько раз, можно выбрать нужный режим сушки. Машина предусматривает два режима:
А - Режим сушки в зависимости от степени влажности белья:
Под утюг: слегка влажное белье для более легкой глажки.
На вешалку: сухое белье, которое можно убрать в шкаф.
В шкаф: совершенно сухое белье – рекомендуется для махровых полотенец и халатов.
В - Временной режим: От **40** до **180** минут.
Для исключения сушки нажмите соответствующую кнопку до тех пор, пока на дисплее не появится надпись OFF.
В случае, если вес белья, предназначенного для стирки и сушки, превышает максимальную допустимую загрузку (смотрите таблицу сбоку), выполните цикл стирки, и по его завершении, разделите белье на части и производите его сушку частями. Затем следуйте инструкциям, описывающим функцию «Только сушка». Повторите те же операции для сушки оставшегося белья.
ПРИМЕЧАНИЕ: по завершении сушки всегда производится цикл охлаждения белья.

Только сушка

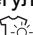
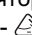
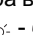
При помощи регулятора выбора ПРОГРАММ выберите режим сушки ( -  - ) в зависимости от типа белья, затем выберите нужный вам режим сушки при помощи кнопки СУШКА.

Таблица продолжительности сушки (примерные значения)

Тип ткани	Загрузка	Макс. загрузка (кг)	В шкаф	На вешалку	Под утюг
Хлопок	Белье разного размера, Махровые полотенца	5	180	170	160
Синтетика	Простыни, Рубашки, Пижама, носки и т.д.	3	180	170	160
Шерсть	Свитера, полуверы	1,5	150	140	130

Изменение параметров цикла.

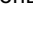
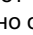
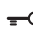
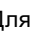
- Нажмите кнопку для включения функции; загорится индикатор соответствующей кнопки.
 - Вновь нажмите кнопку для отключения функции; индикатор погаснет.
- !** Если выбранная функция является несовместимой с заданной программой, индикатор будет мигать, и такая функция не будет включена.
- !** Если выбранная функция является несовместимой с другой, ранее заданной дополнительной функцией, будет мигать индикатор первой выбранной функции, и будет включена только вторая дополнительная функция, индикатор включенной функции загорится.
- !** Дополнительные функции могут изменить рекомендуемую загрузку машины и/или продолжительность цикла.
- 7. ПУСК ПРОГРАММЫ.** Нажмите кнопку ПУСК/ПАУЗА: Соответствующий индикатор загорится зеленым светом, и люк заблокируется (символ ЛЮК ЗАБЛОКИРОВАН  загорится). В процессе стирки на дисплее показывается название текущей фазы. Для изменения программы в процессе выполнения цикла переключите машину в режим паузы при помощи кнопки ПУСК/ПАУЗА (индикатор ПУСК/ПАУЗА редко мигает оранжевым цветом). Затем выберите новый цикл и вновь нажмите кнопку ПУСК/ПАУЗА. Если требуется открыть люк после пуска цикла, нажмите кнопку ПУСК/ПАУЗА. Когда погаснет индикатор, ЛЮК ЗАБЛОКИРОВАН , можно открыть люк. Вновь нажмите кнопку ПУСК/ПАУЗА для возобновления программы с момента, в который она была прервана.
 - 8. ЗАВЕРШЕНИЕ ПРОГРАММЫ.** Показывается сообщением на дисплее «КОНЕЦ ЦИКЛА». После того, как погаснет символ ЛЮК ЗАБЛОКИРОВАН , можно будет открыть люк. Откройте люк, выгрузите белье и выключите машину.
- !** Для отмены уже запущенного цикла нажмите на несколько секунд кнопку . Цикл прервется и машина выключится.

Таблица программ

Программы	Описание программы	Макс. темп. (°C)	Макс. скорость (об./мин.)	Сушка	Стиральные средства			Макс. загрузка (кг)		Продолжительность цикла	
					Отбеливатель	Стирка	Ополаскиватель	Нормальная	Мини загрузка		
Ежедневная программа											
	хлопок (1°) (1° нажатие кнопки): Очень грязное белое белье.	90°	1000	●	●	●	●	7	3	Продолжительность программ стирки можно проверить по дисплею.	
	хлопок (2°) (2° нажатие кнопки): сильнозагрязненное белое и прочное цветное белье.	60°	1000	●	●	●	●	7	3		
	хлопок (3°) (3° нажатие кнопки): сильнозагрязненное белое и деликатное цветное белье.	40°	1000	●	●	●	●	7	3		
	СИНТЕТИКА (1°) (1° нажатие кнопки): Сильнозагрязненное белье прочное цветное белье.	60°	800	●	●	●	●	3	1,5		
	СИНТЕТИКА (2°) (2° нажатие кнопки): Слабозагрязненное прочное цветное белье.	40°	800	●	●	●	●	3	1,5		
	МИКС 30° (1° нажатие кнопки): Для быстрого освежения малогрязного белья (не для шерсти, шелка и изделия ручной стирки).	30°	800	●	-	●	●	3	-		
	МИКС 15° (2° нажатие кнопки): Для быстрого освежения малогрязного белья (не для шерсти, шелка и изделия ручной стирки).	30°	800	●	-	●	●	1,5	-		
	ШЕЛК/ЗАНАВЕСКИ : Для изделий из шелка, вискозы и нижнего белья.	30°	0	-	-	●	●	1	1		
M	ПАМЯТЬ : Позволяет ввести в память машины любую программу стирки.										
	ШЕРСТЬ : Для шерсти, кашемира и т.д.	40°	800	●	●	●	●	1,5	1		
Программы сушки											
	Сушка ХЛОПКА (1° нажатие кнопки)	-	-	●	-	-	-	5	-		
	Сушка СИНТЕТИКА (2° нажатие кнопки)	-	-	●	-	-	-	3	-		
	Сушка ШЕРСТЬ (3° нажатие кнопки)	-	-	●	-	-	-	1,5	-		
Неполные программы											
	Отжим	-	1000	●	-	-	-	7	-		
	Полоскание (1° нажатие кнопки)	-	1000	●	●	-	●	7	3		
	Слив (2° нажатие кнопки)	-	0	-	-	-	-	7	-		

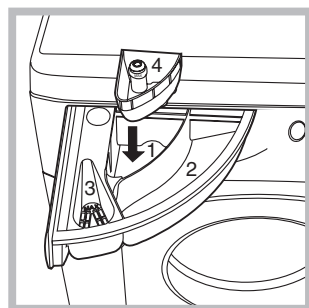
Для всех институтов тестирования:

* Программы управления соответствует нормативу EN 50229: задайте программу для х/б белья с температурой 60°C.

Функции стирки

Отбеливание

Эта функция служит для удаления наиболее трудных пятен. Вставьте прилагающийся дополнительный дозатор 4 в ячейку 1.



Не заливайте отбеливатель в дозатор выше отметки «макс.» на центральной шкале (см. рисунок). Для осуществления только отбеливания поместите отбеливатель в дополнительный дозатор 4 и задайте программу «Полоскание» и включите

функцию «Отбеливание».

Для отбеливания в процессе стирки засыпьте стиральный порошок и добавки, задайте нужную программу и включите функцию «Отбеливание».

Если используется дополнительный дозатор 4, функция предварительной стирки исключается.

! Функция не может быть включена с программами , , , «Слив» и «Программы сушки».

Дополнительное Полоскание

При выборе этой функции повышается эффективность полоскания, обеспечивая максимальное удаление стирального вещества. Эта функция особенно удобна для людей с кожей, чувствительной к стиральным веществам.

! Функция не может быть включена с программами , , «Слив» и «Программы сушки».

Функция Легкая глажка

При выборе этой функции циклы стирки и отжима изменяются таким образом, чтобы сократить сминаемость белья. По завершении цикла машина производит медленное вращение барабана; индикаторы функции ЛЕГКАЯ ГЛАЖКА и ПУСК/ПАУЗА будут мигать (оранжевым цветом), и на дисплее появится надпись «КОНЕЦ ЦИКЛА».

Для завершения цикла нажмите кнопку ПУСК/ПАУЗА или кнопку ЛЕГКАЯ ГЛАЖКА.

При выборе программы Шелк/Занавески машина завершает цикл без слива воды, индикаторы функции ЛЕГКАЯ ГЛАЖКА и ПУСК/ПАУЗА будут мигать (оранжевым цветом), и на дисплее появится надпись «ОСТАНОВКА С ВОДОЙ». Для слива воды и выгрузки белья необходимо нажать кнопку ПУСК/ПАУЗА или кнопку ЛЕГКАЯ ГЛАЖКА.

! Функция не может быть включена с программами , , , «Слив» и «Программы сушки».

Мини загрузка

Рекомендуется использовать эту функцию, когда количество грязного белья равно или меньше половины максимальной рекомендуемой загрузки (см. Таблицу программ).

! Функция не может быть включена с программами , , «Слив» и «Программы сушки».

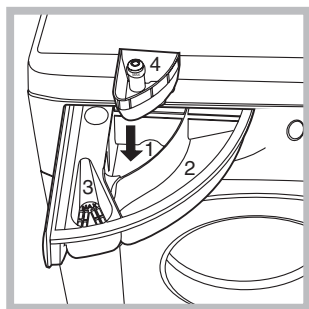
Стиральные вещества и типы белья

CIS

Распределитель моющих средств

Хороший результат стирки зависит также от правильной дозировки стирального вещества: избыток стирального вещества не гарантирует более эффективную стирку, напротив, способствует образованию налетов внутри стиральной машины и загрязнению окружающей среды.

! Не используйте моющие средства для ручной стирки, так как они образуют слишком много пены.



Выньте распределитель и поместите в него моющее средство или добавку в следующем порядке.

отделение 1: моющее средство для предварительной стирки (порошок)

Перед засыпкой стирального порошка необходимо проверить, чтобы не был установлен дополнительный отделение 4.

отделение 2: Моющее средство для стирки (порошок или жидкое)

Моющее средство для стирки заливается непосредственно перед запуском машины.

отделение 3: Добавки (ополаскиватель и т.д.)

Не наливайте ополаскиватель выше решетки отделения.

дополнительное отделение 4: Отбеливатель

Подготовка белья

- Разделите белье по следующим признакам:
 - тип ткани / обозначения на этикетке.
 - цвет: отделите цветное белье от белого.
- Выньте из карманов все предметы и проверьте пуговицы.
- Не превышайте максимальную загрузку барабана, указанную для сухого белья:
 - Прочные ткани: макс. 7 кг
 - Синтетические ткани: макс. 3 кг
 - Деликатные ткани: макс. 2 кг
 - Шерсть: макс. 1,5 кг
 - Шелк: макс. 1 кг

Сколько весит белье?

- 1 простыня 400-500 гр.
- 1 наволочка 150-200 гр.
- 1 скатерть 400-500 гр.
- 1 халат 900-1200 гр.
- 1 полотенце 150-250 гр.

Специальные программы

Микс 30': предназначена для быстрой стирки слабозагрязненного белья цикл длится всего 30 минут, что позволяет экономить время и электроэнергию. По этой программе (☺, 30°C) можно стирать вместе белье из разных тканей (за исключением шерсти и шелка) с максимальной загрузкой 3 кг.

Микс 15': предназначена для быстрой стирки слабозагрязненного белья цикл длится всего 15 минут, что позволяет экономить время и электроэнергию. По этой программе (☺, 30°C) можно стирать вместе белье из разных тканей (за исключением шерсти и шелка) с максимальной загрузкой 1,5 кг.

Шелк: используйте специальную программу ☹ для стирки всех шелковых вещей. Рекомендуется использовать специальное стиральное вещество для деликатных тканей.

Занавески: сверните и положите в наволочку или в сетчатый мешочек. Используйте программу ☹.

Шерсть: Стиральная машина марки Hotpoint/Ariston единственная получила престижный знак Woolmark Platinum Care (M.0508) от Компании The Woolmark Company, который сертифицирует машинную стирку всех шерстяных изделий, даже тех, на этикетках которых указано «только ручная стирка» ☹. При выборе программы ☹ вы можете надежно и эффективно стирать любые шерстяные изделия (макс. 1,5 кг) с гарантированным лучшими результатами.

Система балансировки белья

Перед каждым отжимом во избежание чрезмерных вибраций и для равномерного распределения белья в барабане машина производит вращения со скоростью, слегка превышающей скорость стирки. Если после нескольких попыток белье не будет правильно сбалансировано, машина произведет отжим на меньшей скорости по сравнению с предусмотренной.

! Стиральная машина спроектирована и изготовлена в соответствии с международными нормативами по безопасности. Необходимо внимательно прочитать настоящие предупреждения, составленные в целях вашей безопасности.

Общие требования к безопасности

- Данное изделие предназначено исключительно для домашнего использования.
- Стиральной машиной должны пользоваться только взрослые лица, соблюдающие инструкции, приведенные в данном техническом руководстве.
- Не прикасайтесь к изделию влажными руками, босиком или во влажной одежде.
- Не тяните за сетевой кабель для отсоединения изделия из электро розетки, возьмитесь за вилку рукой.
- Не открывайте распределитель порошка в процессе стирки.
- Избегайте контактов со сливаемой водой, так как она может быть очень горячей.
- Категорически запрещается открывать люк силой: это может привести к повреждению защитного механизма, предохраняющего от случайного открытия машины.
- В случае неисправности категорически запрещается открывать внутренние механизмы изделия с целью их самостоятельного ремонта.
- Избегайте контактов детей с работающей стиральной машиной.
- В процессе стирки люк стиральной машины может нагреться.
- При необходимости переместить стиральную машину следует выполнять эту операцию вдвоем или втроем с предельной осторожностью. Никогда не перемещайте машину в одиночку, так как машина очень тяжелая.
- Перед загрузкой в стиральную машину белья проверьте, чтобы барабан был пуст.
- В процессе сушки люк стиральной машины может нагреться.
- Не подвергайте автоматической сушке белье, выстиранное с применением возгораемых растворителей (например, триелина).
- Не сушите в автоматической сушке паралоновые изделия или подобные эластомеры.
- В процессе сушки проверьте, чтобы водопроводный кран был открыт.

Утилизация

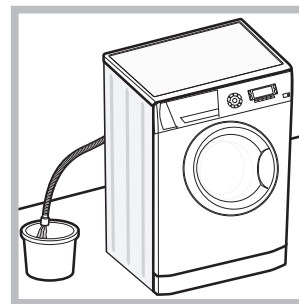
- Уничтожение упаковочных материалов: соблюдайте местные нормативы с целью повторного использования упаковочных материалов.
- Согласно Европейской Директиве 2002/96/CE касательно утилизации электронных и электрических электроприборов электроприборы не должны выбрасываться вместе с обычным городским

мусором. Выведенные из строя приборы должны собираться отдельно для оптимизации их утилизации и рекуперации составляющих их материалов, а также для безопасности окружающей среды и здоровья. Символ зачеркнутая мусорная корзинка, имеющийся на всех приборах, служит напоминанием об их отдельной утилизации.

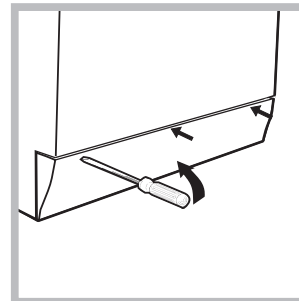
За более подробной информацией о правильной утилизации бытовых электроприборов пользователи могут обратиться в специальную государственную организацию или в магазин.

Аварийное открытие люка

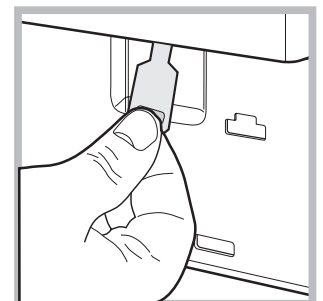
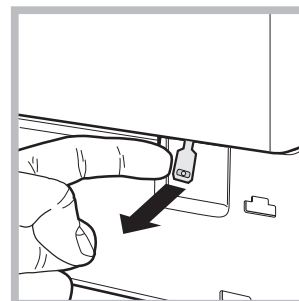
Если по причине отключения электроэнергии невозможно открыть люк машины, чтобы выгрузить чистое белье, действуйте следующим образом:



1. выньте штепсельную вилку машины из электро розетки.
2. проверьте, чтобы уровень воды в машине был ниже отверстия люка. В противном случае слейте излишек воды через сливную трубу в ведро, как показано на *схеме*.



3. снимите переднюю панель стиральной машины при помощи отвертки (*см. схему*).



4. потяните наружу язычок, показанный на *схеме*, вплоть до освобождения пластикового блокировочного винта. Затем потяните его вниз и одновременно откройте люка.

5. установите на место переднюю панель, проверив перед ее прикреплением к машине, чтобы крючки вошли в соответствующие петли.

Техническое обслуживание и уход

CIS

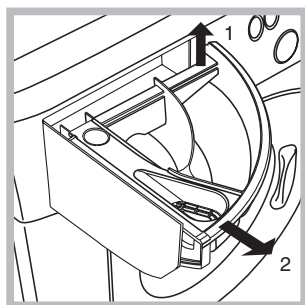
Отключение воды и электрического тока

- Перекрывайте водопроводный кран после каждой стирки. Таким образом сокращается износ водопроводной системы машины и сокращается риск утечек.
- Выньте штепсельную вилку из электро розетки в процессе чистки и технического обслуживания стиральной машины.

Уход за стиральной машиной

Для чистки наружных и резиновых частей стиральной машины используйте тряпку, смоченную теплой водой с мылом. Не используйте растворители или абразивные чистящие средства.

Уход за распределителем моющих средств



Выньте распределитель, приподняв ее и потянув наружу (см. схему). Промойте распределитель теплой водой. Эта операция должна выполняться регулярно.

Уход за люком и барабаном

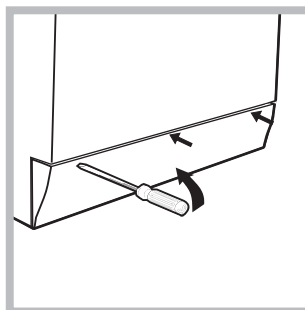
- После использования стиральной машины всегда следует оставлять люк полуоткрытым во избежание образования неприятных запахов в барабане.

Уход за насосом

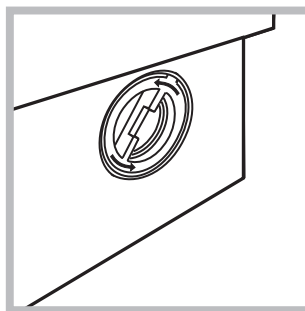
Стиральная машина оснащена самоочищающимся насосом, не нуждающимся в техническом обслуживании. Тем не менее мелкие предметы (монеты, пуговицы) могут упасть за кожух, предохраняющий насос, расположенный в его нижней части.

! Проверьте, чтобы цикл стирки завершился, и выньте штепсельную вилку из сетевой розетки.

Для доступа к кожуху:



1. снимите переднюю панель стиральной машины при помощи отвертки (см. схему);



2. отвинтите крышку, повернув ее против часовой стрелки (см. схему): небольшая утечка воды является нормальным явлением;

3. тщательно прочистите внутри кожуха;
4. завинтите крышку на место;
5. установите на место переднюю панель, проверив перед ее креплением к машине, чтобы крюки вошли в соответствующие петли.

Проверка водопроводного шланга

Проверяйте шланг подачи воды не реже одного раза в год. При обнаружении трещин или разрывов шланга замените его: в процессе стирки сильное давление воды в водопроводе может привести к внезапному отсоединению шланга.

! Никогда не пользуйтесь б/у шлангами.

Если ваша стиральная машина не работает. Прежде чем обратиться в Центр Сервисного обслуживания (см. *Сервисное обслуживание*), проверьте, можно ли устранить неисправность, следуя рекомендациям, приведенным в следующем перечне.

Неисправности:

Стиральная машина не включается.

Цикл стирки не запускается.

Стиральная машина не заливает воду (На дисплее показывается сообщение «НЕТ ПОДАЧИ ВОДЫ»).

Машина непрерывно заливает и сливает воду.

Стиральная машина не сливает воду и не отжимает белье.

Стиральная машина сильно вибрирует в процессе отжима.

Утечки воды из стиральной машины.

Машина заблокирована, дисплей мигает и показывает код неисправности (наприм., F-01, F-..).

В процессе стирки образуется слишком обильная пена.

Стиральная машина не производит сушку

Возможные причины / Методы устранения:

- Штепсельная вилка не соединена с электро розеткой или отходит и не обеспечивает контакта.
- В доме отключено электричество.
- Люк машины закрыт неплотно.
- Не была нажата кнопка ВКЛЮЧЕНИЕ/ВЫКЛЮЧЕНИЕ.
- Не была нажата кнопка ПУСК/ПАУЗА.
- Перекрыт водопроводный кран.
- Была запрограммирована задержка запуска цикла (Задержка запуска, (см. *“Порядок осуществления цикла мойки или сушки”*)).
- Водопроводный шланг не подсоединен к крану.
- Шланг согнут.
- Перекрыт водопроводный кран.
- В доме нет воды.
- Недостаточное водопроводное давление.
- Не была нажата кнопка ПУСК/ПАУЗА.
- Сливной шланг не находится на высоте 65 – 100 см. от пола (см. *«Установка»*).
- Конец сливного шланга погружен в воду (см. *«Установка»*).
- Настенное сливное отверстие не оснащено вантузом для выпуска воздуха. Если после вышеперечисленных проверок неисправность не будет устранена, следует перекрыть водопроводный кран, выключить стиральную машину и обратиться в Центр Сервисного Обслуживания. Если ваша квартира находится на последних этажах здания, могут наблюдаться явления сифона, поэтому стиральная машина производит непрерывный залив и слив воды. Для устранения этой аномалии в продаже имеются специальные клапаны против явления сифона.
- Выбранная программа не предусматривает слив воды: для некоторых программ необходимо включить слив вручную (см. *«Программы и функции»*).
- Включена функция ЛЕГКАЯ ГЛАЖКА: для завершения программы нажмите кнопку ПУСК/ПАУЗА (см. *«Программы и функции»*).
- Сливной шланг согнут (см. *«Установка»*).
- Засорен сливной трубопровод.
- В момент установки стиральной машины барабан был разблокирован неправильно (см. *«Установка»*).
- Стиральная машина установлена неровно (см. *«Установка»*).
- Машина зажата между стены и мебелью (см. *«Установка»*).
- Плохо прикручен водопроводный шланг (см. *«Установка»*).
- Засорен распределитель моющего средства (порядок его чистки см. в параграфе *«Техническое обслуживание и уход»*).
- Сливной шланг плохо закреплен (см. *«Установка»*).
- Выключите машину и выньте штепсельную вилку из сетевой розетки, подождите 1 минуту и вновь включите машину. Если неисправность не устраняется, обратитесь в Сервисную Службу.
- Моющее средство непригодно для стирки в стиральной машине (на упаковке должно быть указано «для стирки в стиральной машине», «для ручной и машинной стирки» или подобное).
- В распределитель было помещено чрезмерное количество моющего средства.
- Штепсельная вилка не соединена с электро розеткой или отходит и не обеспечивает контакта.
- В доме отключено электричество.
- Люк машины закрыт неплотно.
- Была запрограммирована задержка запуска цикла (Таймер отсрочки).
- СУШКИ находится в положении **OFF**.

Сервисное обслуживание

CIS

Перед тем как обратиться в Службу Сервиса:

- Проверьте, нельзя ли устранить неисправность самостоятельно (см. «Неисправности и методы их устранения»);
- Вновь запустите программу для проверки исправности машины;
- В противном случае обратиться в Авторизованный Сервисный Центр по телефонам, указанным в гарантийном таллоне.

! Никогда не обращайтесь к неавторизованным сервисным центрам.

При обращении в Сервисную Службу необходимо сообщить:

- тип неисправности;
- модель изделия (Мод.);
- номер тех. паспорта (серийный №).

Серийный номер и модель указаны на паспортной табличке, расположенной на задней панели и спереди люка стиральной машины.

PL

Polski

ARMXXD 109

Spis treści

Instalacja, 26-27

Rozpakowanie i wypoziomowanie
Podłączenia hydrauliczne i elektryczne
Pierwszy cykl prania
Dane techniczne

Opis pralki, 28-29

Panel sterowania
Wyświetlacz

Jak wykonać cykl prania lub suszenie, 30

Programy i funkcje, 31

Tabela programów
Funkcje prania

Środki piorące i bielizna, 32

Szufladka na środki piorące
Przygotowanie bielizny
Programy specjalne
System równoważenia ładunku

Zalecenia i środki ostrożności, 33

Ogólne zasady bezpieczeństwa
Utylizacja
Ręczne otwieranie okrągłych drzwiczek

Utrzymanie i konserwacja, 34

Odłączenie wody i prądu elektrycznego
Czyszczenie pralki
Czyszczenie szufladki na środki piorące
Konserwacja okrągłych drzwiczek i bębna
Czyszczenie pompy
Kontrola przewodu doprowadzającego wodę

Nieprawidłowości w działaniu i sposoby ich usuwania, 35

Serwis Techniczny, 36

 **Hotpoint**
ARISTON

PL

Instalacja

PL

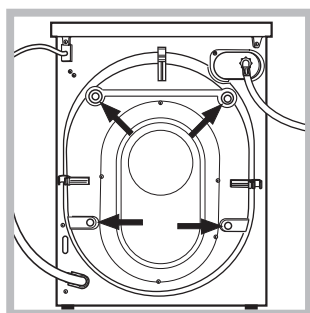
! Należy zachować niniejszą książeczkę, aby móc z niej skorzystać w każdej chwili. W przypadku sprzedaży, odstąpienia lub przeniesienia pralki w inne miejsce należy zadbać o przekazanie instrukcji wraz z maszyną, aby nowy właściciel mógł zapoznać się z działaniem urządzenia i z dotyczącymi go ostrzeżeniami.

! Należy uważnie przeczytać instrukcję obsługi: zawiera ona ważne informacje dotyczące instalacji oraz właściwego i bezpiecznego użytkowania pralki.

Rozpakowanie i wypoziomowanie

Rozpakowanie

1. Rozpakować pralkę.
2. Sprawdzić, czy nie doznała ona uszkodzeń w czasie transportu. W przypadku stwierdzenia uszkodzeń nie podłączać jej i skontaktować się ze sprzedawcą.



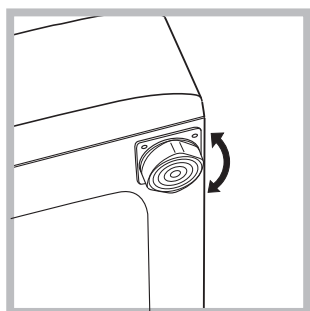
3. Odkręcić 4 śruby zabezpieczające maszynę na czas transportu oraz zdjąć gumowy element z podkładką, znajdujący się w tylnej części pralki (patrz rysunek).

4. Zatkać otwory przy pomocy plastikowych zaślepek, znajdujących się w wyposażeniu maszyny.
5. Zachować wszystkie części: w razie konieczności przewiezienia pralki w inne miejsce, powinny one zostać ponownie zamontowane.

! Części opakowania nie są zabawkami dla dzieci.

Poziomowanie

1. Ustawić pralkę na płaskiej i twardej podłodze, nie opierając jej o ściany, meble itp.

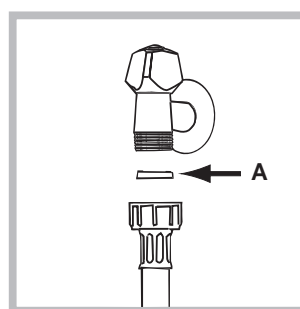


2. Jeśli podłoga nie jest idealnie pozioma, należy skompensować nierówności, odkręcając lub dokręcając przednie nóżki (patrz rysunek); kąt nachylenia, zmierzony na górnym blacie pralki nie powinien przekraczać 2°.

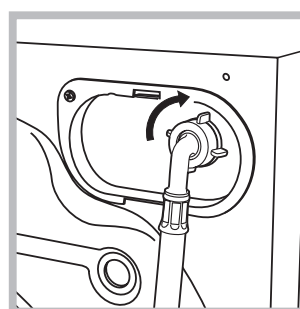
Staranne wypoziomowanie pralki zapewnia jej stabilność i zapobiega wibracjom, hałasowi oraz przesuwaniu się maszyny w czasie pracy. W razie ustawienia na dywanie lub wykładzinie dywanowej należy tak wyregulować nóżki, aby pod pralką pozostawała wolna przestrzeń niezbędna dla wentylacji.

Podłączenia hydrauliczne i elektryczne

Podłączenie przewodu doprowadzającego wodę



ona całkowicie przezroczysta.



3. Zwrócić uwagę, aby na przewodzie nie było zagięć ani zwężeń.

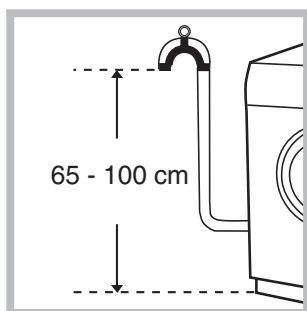
! Ciśnienie wody w kurku powinno mieścić się w przedziale podanym w tabeli Danych technicznych (patrz strona obok).

! Jeśli długość przewodu doprowadzającego wodę jest niewystarczająca, należy zwrócić się do specjalistycznego sklepu lub do autoryzowanego technika.

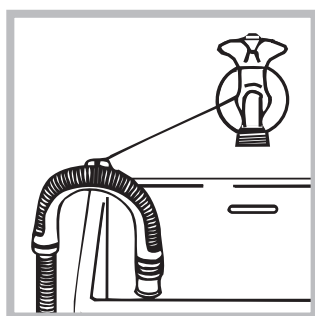
! Nigdy nie instalować już używanych przewodów.

! Stosować przewody znajdujące się w wyposażeniu maszyny.

Podłączenie przewodu odpływowego



Podłączyć przewód odpływowy, nie zginając go, do rury ściekowej lub do otworu odpływowego w ścianie, które powinny znajdować się na wysokości od 65 do 100 cm od podłogi;



ewentualnie oprzeć go na brzegu zlewu lub wanny, przymocowując do kranu prowadnik, znajdujący się w wyposażeniu (patrz rysunek). Wolny koniec przewodu odpływowego nie powinien być zanurzony w wodzie.

! Odradza się stosowanie przewodów przedłużających; jeśli to konieczne, przewód przedłużający powinien mieć taką samą średnicę jak oryginalny, a jego długość nie może przekraczać 150 cm.

Podłączenie elektryczne

Przed włożeniem wtyczki do gniazdka elektrycznego należy się upewnić, czy:

- gniazdko posiada uziemienie i jest zgodne z obowiązującymi przepisami;
- gniazdko jest w stanie wytrzymać maksymalne obciążenie mocy maszyny, wskazane w tabeli Danych technicznych (patrz obok);
- napięcie zasilania mieści się w wartościach wskazanych w tabeli Danych technicznych (patrz obok);
- gniazdko pasuje do wtyczki pralki. W przeciwnym razie należy wymienić gniazdko lub wtyczkę.

! Nie należy instalować pralki na otwartym powietrzu, nawet w osłoniętym miejscu, gdyż wystawienie urządzenia na działanie deszczu i burz jest bardzo niebezpieczne.

! Po zainstalowaniu pralki gniazdko elektryczne powinno być łatwo dostępne.

! Nie używać przedłużaczy ani rozgałęźników.

! Przewód nie powinien być pozginany ani przygnieciony.

! Przewód zasilania elektrycznego może być wymieniany wyłącznie przez autoryzowanych techników.

Uwaga! Producent nie ponosi żadnej odpowiedzialności w przypadku nieprzestrzegania powyższych zasad.

Pierwszy cykl prania

Po zainstalowaniu pralki, przed przystąpieniem do jej użytkowania, należy wykonać jeden cykl prania ze środkiem piorącym, ale bez wsadu, nastawiając program

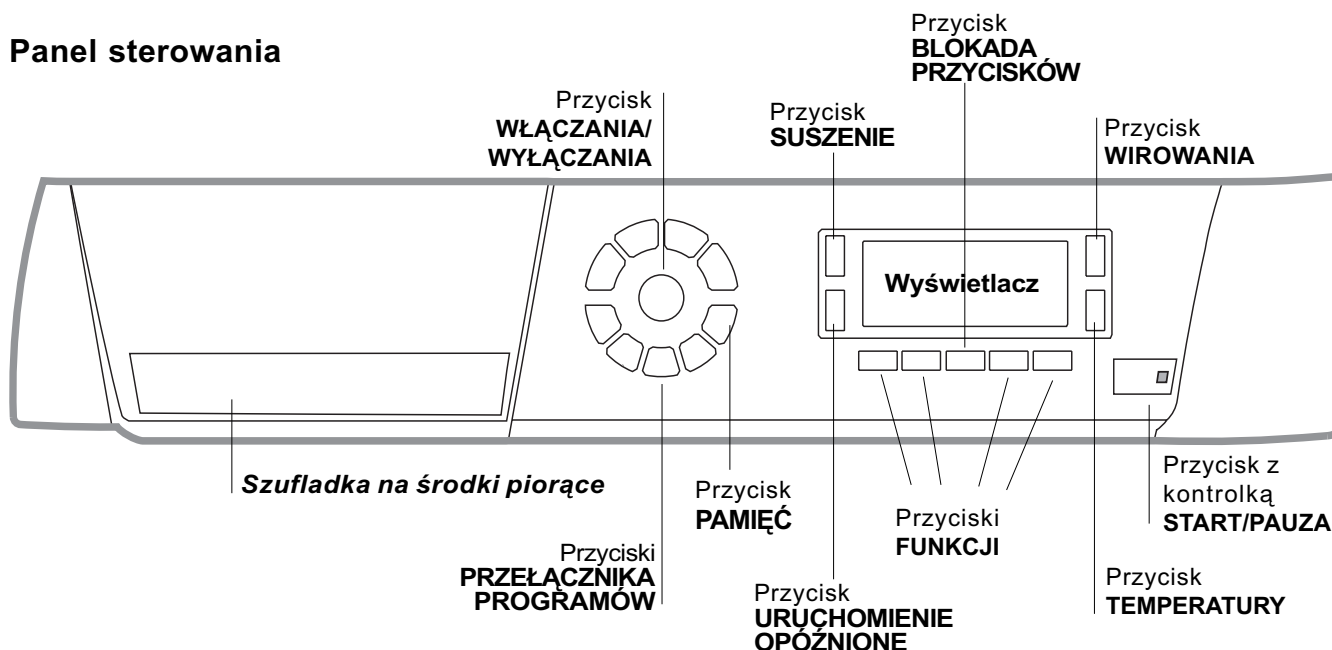
Dane techniczne

Model	ARMXXD 109
Wymiary	szerokość cm 59,5 wysokość cm 85 głębokość cm 53,5
Pojemność	od 1 do 7 kg dla prania od 1 do 5 kg dla suszenia
Dane prądu elektrycznego	dane techniczne umieszczone są na tabliczce na maszynie
Dane sieci wodociągowej	Maksymalne ciśnienie 1 MPa (10 barów) ciśnienie minimalne 0,05 MPa (0,5 barów) pojemność bębna 52 litrów
Szybkość wirowania	do 1000 obrotów na minutę
Programy kontrolne zgodnie z przepisami EN 50229	pranie: program (1° nacisnięcie przycisku); temperatura 60°C; wykonane przy 7 kg załadowanej bielizny. uszenie: pierwsze suszenie wykonane przy ładunku 2 kg z ustawieniem poziomu suszenia "PRASOWANIE"; drugie suszenie wykonane przy ładunku 5 kg z ustawieniem poziomu suszenia "SZAFKA".
	Urządzenie to zostało wyprodukowane zgodnie z następującymi przepisami EWG: - 89/336/CEE z dn. 03/05/89 (o Kompatybilności Elektromagnetycznej) wraz z kolejnymi zmianami - 2006/95/CE (o Niskim Napięciu) - 2002/96/CE


Opis pralki

PL

Panel sterowania



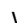
Szufladka na środki piorące: do dozowania środków piorących i dodatków (patrz „Środki piorące i bielizna”).


Przycisk **WŁĄCZANIA/WYŁĄCZANIA** : nacisnąć krótko przycisk w celu włączenia lub wyłączenia maszyny. Kontrolka START/PAUZA, która pulsuje powoli w kolorze zielonym wskazuje, że maszyna jest włączona. W celu wyłączenia pralki podczas prania konieczne jest dłuższe przytrzymanie naciśniętego przycisku, przez około 2 sek.; krótkie lub przypadkowe naciśnięcie wystarczy do wyłączenia maszyny. Wyłączenie maszyny podczas trwającego prania anuluje program prania.



Przyciski **PRZEŁĄCZNIKA PROGRAMÓW**: w celu wybrania potrzebnego programu (patrz „Tabela programów”).


Przycisk **PAMIĘĆ**: przytrzymać naciśnięty przycisk w celu zapisania w pamięci cyklu oraz własnych preferowanych personalizacji. W celu przywołania cyklu zapisanego uprzednio należy nacisnąć przycisk MEMO.

Przyciski **FUNKCJI**: nacisnąć przycisk w celu wybrania potrzebnej funkcji. Na wyświetlaczu zaświeci się odpowiednia kontrolka.


Przycisk **WIROWANIA** : nacisnąć w celu zmniejszenia lub całkowitego wyłączenia wirówki – wartość ukazana zostanie na wyświetlaczu.

Przycisk **TEMPERATURY** : nacisnąć w celu zmniejszenia temperatury: wartość zostaje wyświetlona na ekranie.

Przycisk **BLOKADA PRZYCISKÓW** : w celu uruchomienia lub wyłączenia blokady panelu sterowania należy przytrzymać naciśnięty przycisk przez około 2 sekundy. Podświetlony symbol  wskazuje, że panel sterowania został zablokowany. W ten sposób uniemożliwia się dokonywanie przypadkowych zmian w programach, zwłaszcza, jeśli w domu obecne są dzieci. W celu wyłączenia blokady panelu sterowania należy przytrzymać naciśnięty przycisk przez około 2 sekundy.

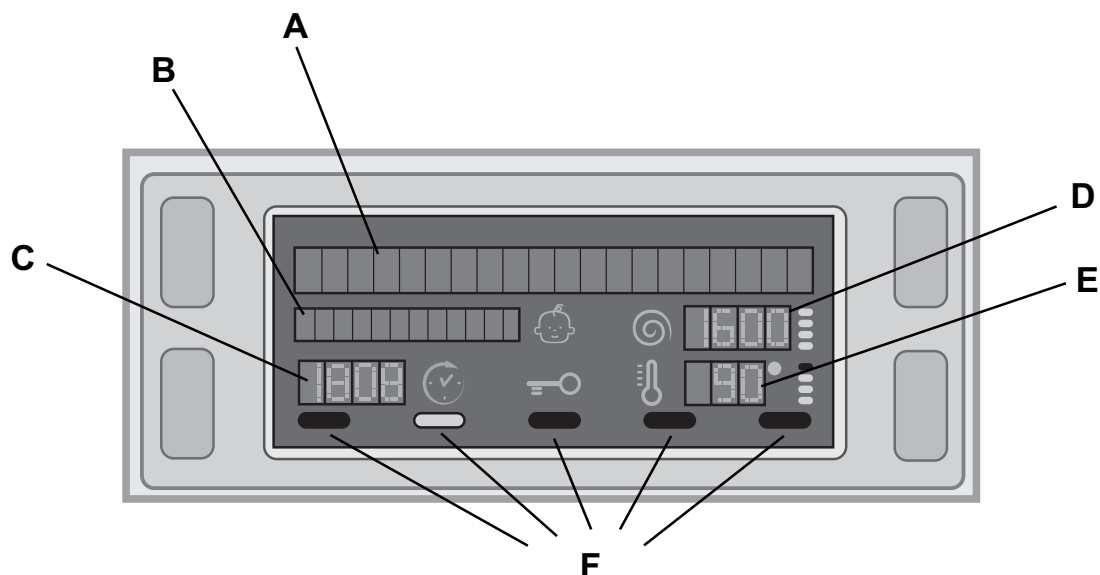
Przycisk **URUCHOMIENIE OPÓŹNIONE** : nacisnąć w celu ustawienia opóźnionego uruchomienia wybranego programu. Opóźnienie wyświetlone zostanie na ekranie.

Przycisk **SUSZENIE** : nacisnąć w celu ustawienia cyklu suszenia.

Przycisk z kontrolką **START/PAUZA**: kiedy zielona kontrolka pulsuje powoli, nacisnąć przycisk w celu uruchomienia prania. Po uruchomieniu cyklu kontrolka świeci w sposób ciągły. W celu wybrania pauzy w praniu należy nacisnąć ponownie przycisk, kontrolka zacznie pulsować w kolorze pomarańczowym. Jeśli symbol  nie świeci się, można otworzyć drzwiczki. W celu ponownego uruchomienia prania od miejsca, w którym zostało przerwane, należy ponownie nacisnąć przycisk.

Wyświetlacz

PL



Wyświetlacz potrzebny jest w celu programowania maszyny i dostarcza wielu informacji.

W dwóch górnych wierszach **A** i **B** wyświetlane są wybrany program prania lub rodzaj suszenia, faza aktualnie wykonywanego prania (poziom suszenia lub wybrany czas suszenia) oraz wszystkie informacje związane ze stanem zaawansowania programu.

W wierszu **C** wyświetlany jest czas pozostały do końca cyklu prania bieżącego oraz, jeśli zaprogramowano URUCHOMIENIE OPÓŹNIONE, czas brakujący do uruchomienia wybranego programu.

W wierszu **D** wyświetlana jest maksymalna wartość szybkości wirówki, jaką maszyna może uzyskać w przypadku wybranego programu; jeśli program nie przewiduje wirowania wiersz pozostaje wygaszony.

W wierszu **E** wyświetlana jest maksymalna wartość temperatury, jaką można wybrać w przypadku wybranego programu, jeśli program nie przewiduje ustawiania temperatury, wiersz pozostaje wygaszony.

Kontrolki **F** związane są z funkcjami i włączają się, kiedy wybrana funkcja zgodna jest z wybranym programem.

Symbol **zablokowanych drzwiczek** 

Zapalony symbol oznacza, że okrągłe drzwiczki pralki są zablokowane, aby zapobiec przypadkowemu ich otwarciu. Aby uniknąć uszkodzenia pralki, należy odczekać, aż symbol ten zgaśnie, zanim przystąpi się do otwierania drzwiczek pralki.

Uwaga: jeśli aktywna jest funkcja URUCHOMIENIE OPÓŹNIONE drzwiczek nie można otworzyć. W celu ich otwarcia należy ustawić maszynę w pauzie poprzez naciśnięcie przycisku START/PAUZA.


! Podczas pierwszego uruchomienia wymagane będzie dokonanie wyboru języka a wyświetlacz ustawi się automatycznie na menu wyboru języka.

W celu wybrania żądanego języka nacisnąć przyciski TEMPERATURY i WIROWANIA, dla potwierdzenia wyboru nacisnąć przycisk SUSZENIE.




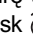
Jeśli zamierza się wybrać inny język, należy naciskać jednocześnie przyciski SUSZENIE + TEMPERATURY + WIROWANIA przez 5 sekund, a następnie powtórzyć czynności wskazane uprzednio.


Jak wykonać cykl prania lub suszenie


PL


- WŁĄCZENIE MASZYNY.** Nacisnąć przycisk , na wyświetlaczu pojawi się napis WITAMY, kontrolka START/PAUZA zacznie powoli pulsować w kolorze zielonym.
- WKŁADANIE BIELIZNY.** Otworzyć szklane drzwiczki. Włożyć bieliznę uważając, aby nie przekroczyć wielkości wsadu wskazanej w tabeli programów na następnej stronie.
- DOZOWANIE ŚRODKA PIORAjącego.** Wysunąć szufladkę i wsypać detergent do odpowiednich komór w sposób wyjaśniony w „Środki piorące i bielizna”.
- ZAMKNAĆ DRZWICZKI.**
- WYBÓR PROGRAMU.** Nacisnąć jeden z przycisków PRZEŁĄCZNIKA PROGRAMÓW w celu wybrania potrzebnego programu, nazwa programu pojawi się na wyświetlaczu; z nim powiązana jest temperatura oraz prędkość wirowania, które mogą zostać zmienione. Na wyświetlaczu pojawi się czas trwania cyklu.
- PERSONALIZACJA CYKLU PRANIA.**

Przy pomocy odpowiednich przycisków:

  **Zmienić temperaturę i/lub wirówkę.** Maszyna wybierze automatycznie temperaturę oraz wirówkę maksymalne przewidziane dla danego programu, dlatego nie mogą one być zwiększane. Poprzez naciśnięcie przycisku  stopniowo zmniejsza się temperaturę aż do prania w zimnej wodzie „OFF”. Naciskając przycisk  stopniowo zmniejsza się wirówkę aż do jej wyłączenia „OFF”. Dodatkowe naciśnięcie przycisków przywróci maksymalne wartości przewidywane.

 **Ustawienie opóźnionego rozpoczęcia.**

W celu ustawienia opóźnionego rozpoczęcia wybranego programu należy nacisnąć odpowiedni przycisk aż do osiągnięcia żadanego czasu opóźnienia. Kiedy opcja ta jest aktywna, na wyświetlaczu pojawia się symbol . W celu usunięcia opóźnionego uruchomienia należy nacisnąć przycisk aż do pojawienia się napisu „OFF”.

 **Ustawianie suszenia.**

Naciskając jeden raz lub kilka razy przycisk SUSZENIE, ustawia się żądany rodzaj suszenia. Przewidziane są dwie możliwości:

A - Zależnie od stopnia wilgotności suszonej bielizny:

Prasowanie: bielizna lekko wilgotna, łatwa do prasowania.

Wieszanie: bielizna wysuszona, gotowa do schowania.

Szafa: bielizna mocno wysuszona, tryb zalecany do ręczników frotowych i szlafroków.

B - Zależnie od czasu: Od **40** do **180** minut.

Aby wyłączyć suszenie, należy przytrzymać wciśnięty odpowiedni przycisk aż do pojawienia się na wyświetlaczu napisu OFF.

Jeśli wyjątkowo ilość bielizny do prania i suszenia przewyższa maksymalny przewidziany ładunek (*patrz tabela obok*), należy wykonać pranie, a po zakończeniu programu podzielić ładunek i włożyć do bębna tylko jego część. Dalej postępować według instrukcji dotyczących opcji „Tylko suszenie”. Powtórzyć te same czynności dla pozostałej części bielizny.

N.B: zawsze po zakończeniu suszenia wykonywane jest krótkie chłodzenie bielizny.

Tylko suszenie

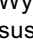
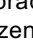
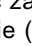
Wybrać za pomocą przełącznika PROGRAMY suszenie ( -  - ) w zależności od rodzaju tkaniny, następnie ustawić rodzaj żadanego suszenia przyciskiem SUSZENIE.

Tabela czasów suszenia (wartości orientacyjne)

Rodzaj tkaniny	Rodzaj załadunku	Załadunek maksymalny (kg)	Szafa	Wieszanie	Prasowanie
Bawełna	Bielizna różnych rozmiarów, Ręczniki frotté	5	180	170	160
Sintetyków	Przescieradła, koszule, Pizamy, skarpetki itp.	3	180	170	160
Wełna	Koszulki, swetry itp.	1,5	150	140	130


Zmiana charakterystyki cyklu.

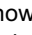
- Nacisnąć przycisk w celu uruchomienia funkcji; zaświeci się kontrolka odpowiadająca przyciskowi.
- Nacisnąć ponownie przycisk w celu wyłączenia funkcji, kontrolka zgaśnie.

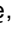
! Jeśli wybrana funkcja nie jest zgodna z wybranym programem, kontrolka będzie pulsować, a funkcja nie zostanie uruchomiona.

! Jeśli wybrana funkcja nie jest zgodna z inną, ustawioną uprzednio, kontrolka odpowiadająca pierwszej funkcji będzie pulsowała i uruchomiona zostanie jedynie druga funkcja a kontrolka uruchomionej funkcji zaświeci się.

! Funkcje mogą zmieniać zalecane obciążenie i/lub czas trwania cyklu.

- URUCHOMIENIE PROGRAMU.** Nacisnąć przycisk START/PAUZA. Odpowiednia kontrolka zaświeci się kolorem zielonym i drzwiczki zostaną zablokowane (symbol ZABLOKOWANYCH DRZWICZEK  świeci się). Podczas prania na wyświetlaczu pojawi się nazwa bieżącej fazy. W celu zmiany programu w czasie trwania cyklu należy ustawić pralkę w pauzie naciskając przycisk START/PAUZA (kontrolka START/PAUZA zacznie powoli pulsować w kolorze pomarańczowym); następnie wybrać potrzebny cykl i ponownie nacisnąć przycisk START/PAUZA.

W celu otwarcia drzwiczek w trakcie wykonywania cyklu należy nacisnąć przycisk START/PAUZA; jeśli symbol ZABLOKOWANYCH DRZWICZEK  jest wyłączony możliwe będzie otwarcie drzwiczek Nacisnąć ponownie przycisk START/PAUZA, aby uruchomić program od punktu, w którym został przerwany.

- KONIEC PROGRAMU.** Wskazywany jest napisem „KONIEC CYKLU” na wyświetlaczu, kiedy symbol ZABLOKOWANYCH DRZWICZEK  wyłączy się, możliwe będzie otwarcie drzwiczek. Otworzyć drzwiczki, wyjąć bieliznę i wyłączyć maszynę.

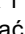
! Jeśli zamierza się anulować uruchomiony już cykl, przytrzymać dłużej naciśnięty przycisk . Cykl zostanie przerwany i maszyna wyłączy się.

Tabela programów

Programy	Opis programu	Temp. max. (°C)	Prędkość max (obrotów na minutę)	Suszenie	Środki piorące			Ładunek max (kg)		Czas trwania cyklu
					Wybielacz	Pranie	Środek zmiękczający	Norm-alny	Wsad minimalny	
Programy codzienne										
	BAWEŁNA (*) (1° naciśnięcie przycisku): bielizna biała silnie zabrudzona.	90°	1000	●	●	●	●	7	3	Możliwa jest kontrola czasu trwania programów na wyświetlaczu.
	BAWEŁNA (2°) (2° naciśnięcie przycisku): tkaniny białe i kolorowe, w wytrzymałe, mocno zabrudzone.	60°	1000	●	●	●	●	7	3	
	BAWEŁNA (3°) (3° naciśnięcie przycisku): tkaniny białe i kolorowe, delikatne, mocno zabrudzone.	40°	1000	●	●	●	●	7	3	
	TKANINY SYNTETYCZNE (1°) (1° naciśnięcie przycisku): tkaniny kolorowe, wytrzymałe, mocno zabrudzone.	60°	800	●	●	●	●	3	1,5	
	TKANINY SYNTETYCZNE (2°) (2° naciśnięcie przycisku): tkaniny kolorowe, wytrzymałe, lekko zabrudzone.	40°	800	●	●	●	●	3	1,5	
	Mix 30' (1° naciśnięcie przycisku): w celu szybkiego odświeżenia lekko zabrudzonych tkanin (nie wskazany dla wełny, jedwabiu i tkanin przeznaczonych do prania ręcznego).	30°	800	●	-	●	●	3	-	
	Mix 15' (2° naciśnięcie przycisku): w celu szybkiego odświeżenia lekko zabrudzonych tkanin (nie wskazany dla wełny, jedwabiu i tkanin przeznaczonych do prania ręcznego).	30°	800	●	-	●	●	1,5	-	
	JEDWAB/FIRANY : do jedwabiu, wiskozy, bielizny.	30°	0	-	-	●	●	1	1	
	PAMIĘĆ : pozwala na zmoryzowanie każdego typu prania.									
	WEŁNA : do wełny, kaszmiru, itp.	40°	800	●	●	●	●	1,5	1	
Programy Suszenia										
	SUSZENIE BAWELNY (1° naciśnięcie przycisku).	-	-	●	-	-	-	5	-	
	SUSZENIE SYNTETIKÓW (2° naciśnięcie przycisku).	-	-	●	-	-	-	3	-	
	SUSZENIE WEŁNY (3° naciśnięcie przycisku).	-	-	●	-	-	-	1,5	-	
Programy częściowe										
	Wirowanie	-	1000	●	-	-	-	7	-	
	Płukanie (1° naciśnięcie przycisku).	-	1000	●	●	-	●	7	3	
	Wydalenie wody (2° naciśnięcie przycisku).	-	0	-	-	-	-	7	-	

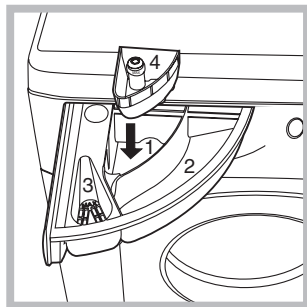
Dla wszystkich Instytucji homologacyjnych:

* Program kontrolny zgodny z normą EN 50229: wprowadzić program bawełny z temperaturą 60°C.

Funkcje prania

Odplamianie

Funkcja ta przydatna jest w celu usuwania bardziej opornych plam. Wstawić dodatkowy pojemniczek 4, na wyposażeniu, do przegródki 1.



Przy dozowaniu wybielacza nie przekroczyć poziomu „max” wskazanego na środkowej ośce (patrz rysunek).

Aby wykonać tylko wybielanie, należy włączyć wybielacz do dodatkowego pojemnika 4 i nastawić program

„Płukanie” i uruchomić funkcję „Odplamianie”. Aby przeprowadzić wybielanie w trakcie prania, należy włączyć i wsypać odpowiednie środki piorące i dodatkowe, nastawić żądany program i uruchomić funkcję „Odplamianie”. Użycie pojemniczka dodatkowego 4 wyklucza pranie wstępne.

! Nie można go uruchomić przy programach , , , „Wydalenie wody” i „Programy suszenia”.

Płukanie dodatkowe

Wybierając tę opcję zwiększa się skuteczność płukania i zapewnia się maksymalne usuwanie środka piorącego. Jest przydatne dla włókien szczególnie wrażliwych.

! Nie można jej uruchomić w programach , , „Wydalenie wody” i „Programy suszenia”.

Łatwe prasowanie

Po wybraniu tej funkcji, pranie oraz wirówka zostaną odpowiednio zmienione w celu ograniczenia powstawania zgnieceń. Po zakończeniu cyklu pralka wykona powolne obroty bębna, kontrolka funkcji ŁATWE PRASOWANIE zaświeci się, a kontrolka START/PAUZA będzie pulsowała powoli w kolorze pomarańczowym a napis „KONIEC CYKLU” ukaze się na wyświetlaczu. W celu zakończenia cyklu należy nacisnąć przycisk START/PAUZA lub przycisk ŁATWE PRASOWANIE.

W programie **Jedwab/Firany** maszyna zakończy cykl z bielizną nieodwirowaną, kontrolka funkcji ŁATWE PRASOWANIE zaświeci się, a kontrolka START/PAUZA będzie pulsowała powoli w kolorze pomarańczowym a napis „ZATRZYMANIE WODY” ukaze się na wyświetlaczu. W celu odprowadzenia wody i aby można było móc wyjąć pranie koniecznym jest naciśnięcie przycisku START/PAUZA lub przycisku ŁATWE PRASOWANIE.

! Nie można go uruchomić w programach , , , „Wydalenie wody” i „Programy suszenia”.

Wsad minimalny

Zaleca się wykorzystanie tej funkcji, jeśli ilość bielizny jest równa połowie zalecanego wsadu maksymalnego lub mniejsza (patrz Tabela programów).

! Nie można jej uruchomić w programach , , „Wydalenie wody” i „Programy suszenia”.

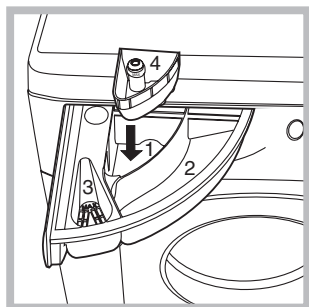
Środki piorące i bielizna

PL

Szufladka na środki piorące

Dobry rezultat prania zależy również od prawidłowego dozowania środka piorącego: użycie jego nadmiernej ilości nie poprawia skuteczności prania, lecz przyczynia się do powstawania nalotów na wewnętrznych częściach pralki i do zanieczyszczenia środowiska.

! Nie stosować środków do prania ręcznego, ponieważ tworzą one za dużo piany.



Wysunąć szufladkę i umieścić w niej środek piorący lub dodatkowy w następujący sposób.

przegródka 1: Środek piorący do prania wstępnego (w proszku)

Przed wsypaniem środka piorącego należy sprawdzić, czy nie jest włożona dodatkowa przegródka 4.

przegródka 2: Środek piorący do prania właściwego (w proszku lub w płynie)

Płynny środek do prania należy wlać dopiero przed samym uruchomieniem programu.

przegródka 3: Środki dodatkowe (zmiękczające, itp.)

Środek zmiękczający nie powinien wypływać poza kratkę.

dodatkowa przegródka 4: Wybielacz

Przygotowanie bielizny

- Podzielić bieliznę do prania według:
 - rodzaju tkaniny / symbolu na etykiecie.
 - kolorów: oddzielić tkaniny kolorowe od białych.
- Opróżnić kieszenie i sprawdzić guziki.
- Nie przekraczać wskazanego ciężaru suchej bielizny:

Tkaniny wytrzymałe: max 7 kg
Tkaniny syntetyczne: max 3 kg
Tkaniny delikatne: max 2 kg
Wełna: max 1,5 kg
Jedwab: max 1 kg

Ile waży bielizna?

1 prześcieradło 400-500 gr.
1 poszewka 150-200 gr.
1 obrus 400-500 gr.
1 szlafrok 900-1.200 gr.
1 ręcznik 150-250 gr.

Programy specjalne

Mix 30': to program przeznaczony do prania lekko zabrudzonej bielizny w krótkim czasie: trwa on tylko 30 minut i pozwala dzięki temu na zaoszczędzenie energii i czasu. Ustawiając program

(🌀 w temperaturze 30°C) można razem wyprać różnego rodzaju tkaniny (z wyjątkiem wełny i jedwabiu), przy maksymalnym ładunku 3 kg.

Mix 15': to program przeznaczony do prania lekko zabrudzonej bielizny w krótkim czasie: trwa on tylko 15 minut i pozwala dzięki temu na zaoszczędzenie energii i czasu. Ustawiając program (🌀 w temperaturze 30°C) można razem wyprać różnego rodzaju tkaniny (z wyjątkiem wełny i jedwabiu), przy maksymalnym ładunku 1,5 kg.

Jedwab: stosować odpowiedni program 🌀 do prania wszelkiego rodzaju wyrobów z jedwabiu. Zaleca się stosowanie specjalnego środka piorącego do tkanin delikatnych.

Firany: włożyć je złożone do poszewki lub do siatkowatego worka. Stosować program 🌀.

Wełna: Hotpoint/Ariston to jedyna pralka, która uzyskała prestiżowe oznaczenie Woolmark Platinum Care (M.0508) od The Woolmark Company, które certyfikuje pranie w pralce wszystkich wyrobów wełnianych, także tych z etykietą „tylko pranie ręczne” 🌀. Korzystając z programu 🌀 można więc w pełni bezpiecznie prać w pralce wszystkie tkaniny wełniane (maks. 1,5 kg) z gwarancją uzyskania najlepszych rezultatów.

System równoważenia ładunku

Przed każdym wirowaniem, aby uniknąć nadmiernych drgań oraz jednorodnie rozłożyć wsad, bęben wykonuje obroty z prędkością nieco większą niż podczas prania. Jeśli pomimo kolejnych prób wsad nie zostanie równomiernie rozłożony, maszyna wykona wirowanie z prędkością mniejszą od przewidzianej. W przypadku nadmiernego nierównoważenia pralka wykona rozłożenie wsadu zamiast wirowania. Aby zapewnić lepsze rozłożenie wsadu oraz jego właściwe zrównoważenie, zaleca się wymieszanie dużych i małych sztuk bielizny.

! Pralka została zaprojektowana i wyprodukowana zgodnie z międzynarodowymi normami bezpieczeństwa. Niniejsze ostrzeżenia zostały tu zamieszczone ze względów bezpieczeństwa i należy je uważnie przeczytać.

Ogólne zasady bezpieczeństwa

- Urządzenie to zostało zaprojektowane wyłącznie do użytkowania w warunkach domowych.
- Pralki powinny używać wyłącznie osoby dorosłe i w sposób zgodny z instrukcjami podanymi w niniejszej książeczce.
- Nie dotykać pralki, stojąc przy niej boso lub mając mokre lub wilgotne ręce albo stopy.
- Nie wyjmować wtyczki z gniazdka, ciągnąc za kabel, lecz trzymając za wtyczkę.
- W trakcie pracy maszyny nie otwierać szufladki na środki piorące.
- Nie dotykać odprowadzanej wody, gdyż może ona osiągać wysokie temperatury.
- W żadnym wypadku nie otwierać okrągłych drzwiczek pralki na siłę: grozi to uszkodzeniem mechanizmu zabezpieczającego drzwiczki przed przypadkowym otwarciem.
- W razie wystąpienia usterki nie należy w żadnym wypadku próbować dostać się do wewnętrznych części pralki z zamiarem samodzielnego dokonania naprawy.
- Zawsze uważać, aby dzieci nie zbliżyły się do pracującej pralki.
- W czasie prania okrągłe drzwiczki pralki nagrzewają się.
- Jeśli trzeba przenieść pralkę w inne miejsce, należy to robić bardzo ostrożnie, w dwie lub trzy osoby. Nigdy nie przenosić pralki samodzielnie, gdyż jest ona bardzo ciężka.
- Przed włożeniem bielizny sprawdzić, czy bęben jest pusty.
- W trakcie suszenia drzwiczki nagrzewają się.
- Nie suszyć bielizny czyszczonej przy pomocy łatwopalnych rozpuszczalników (np. trichloroetylen).
- Nie suszyć gumy gąbczastej ani podobnych elastomerów.
- Upewnić się, by w trakcie suszenia kurek wody był odkręcony.

Utylizacja

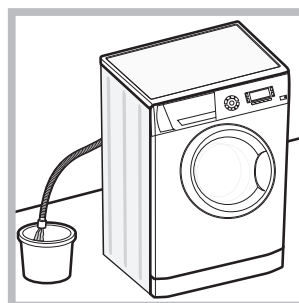
- Utylizacja opakowania: stosować się do lokalnych przepisów, dzięki temu opakowanie będzie mogło zostać ponownie wykorzystane.
- Europejska Dyrektywa 2002/96/EC dotycząca Zużytych Elektrycznych i Elektronicznych Urządzeń zakłada zakaz pozbywania się starych urządzeń domowego użytku jako nieposortowanych śmieci komunalnych. Zużyte urządzenia muszą być osobno zbierane i sortowane w celu zoptymalizowania odzyskania oraz ponownego przetworzenia pewnych komponentów i materiałów. Pozwala to ograniczyć

zanieczyszczenie środowiska i pozytywnie wpływa na ludzkie zdrowie. Przekreślony symbol „kosza” umieszczony na produkcie przypomina klientowi o obowiązku specjalnego sortowania.

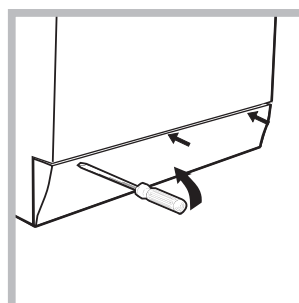
Konsumenci powinni kontaktować się z władzami lokalnymi lub sprzedawcą w celu uzyskania informacji dotyczących postępowania z ich użytymi urządzeniami gospodarstwa domowego.

Ręczne otwieranie okrągłych drzwiczek

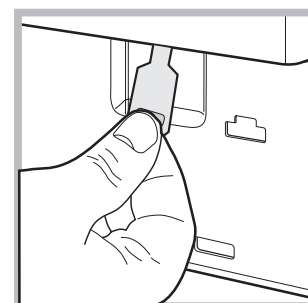
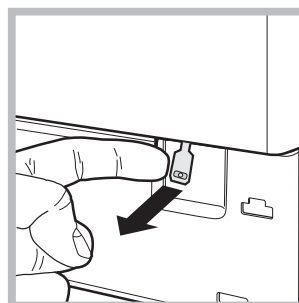
Jeśli z powodu przerwy w dostawie energii elektrycznej nie jest możliwe otwarcie okrągłych drzwiczek, w celu wyjęcia i rozwieszenia prania należy wykonać następujące czynności:



1. wyjąć wtyczkę z gniazdka elektrycznego.
2. sprawdzić, czy poziom wody wewnątrz maszyny znajduje się poniżej poziomu otwarcia drzwiczek; w przeciwnym wypadku usunąć nadmiar wody przez przewód odpływowy, zbierając ją do wiaderka w sposób wskazany na rysunku.



3. zdjąć panel pokrywy z przedniej strony pralki przy pomocy śrubokrętu (patrz rysunek).



4. pociągnąć na zewnątrz klapkę wskazaną na rysunku, aż do wyzwolenia się z zacisku plastikowego zaczepu; następnie pociągnąć go w dół i równocześnie otworzyć drzwiczki.

5. ponownie założyć panel upewniwszy się, przed dociśnięciem go do maszyny, czy zatrzaski zostały umieszczone w odpowiednich otworach.

Utrzymanie i konserwacja

PL

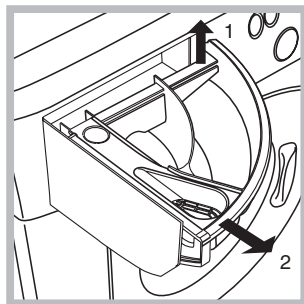
Odłączenie wody i prądu elektrycznego

- Zamknąć kurek dopływu wody po każdym praniu. W ten sposób zmniejsza się zużycie instalacji hydraulicznej pralki oraz eliminuje się niebezpieczeństwo wycieków.
- Przed przystąpieniem do czyszczenia pralki oraz do czynności konserwacyjnych wyjąć wtyczkę z gniazdka.

Czyszczenie pralki

Obudowę zewnętrzną i gumowe części pralki można myć ściereczką zmozoną w letniej wodzie z mydłem. Nie stosować rozpuszczalników ani ściernych środków czyszczących.

Czyszczenie szufladki na środki piorące



Wysunąć szufladkę, unosząc ją lekko ku górze i wyciągając na zewnątrz (patrz rysunek). Wypłukać szufladkę pod bieżącą wodą. Czynność tę należy wykonywać stosunkowo często.

Konserwacja okrągłych drzwiczek i bębna

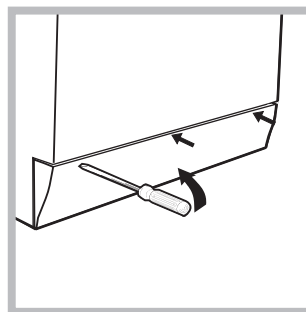
- Drzwiczki pralki należy zawsze pozostawiać uchylone, aby zapobiec tworzeniu się nieprzyjemnych zapachów.

Czyszczenie pompy

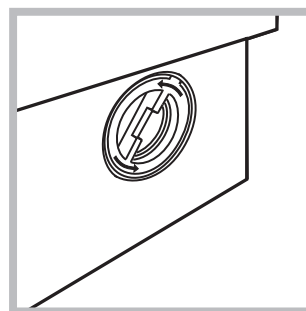
Pralka wyposażona jest w pompę samoczyszczącą, która nie wymaga zabiegów konserwacyjnych. Może się jednak zdarzyć, że drobne przedmioty (monety, guziki) wpadną do komory wstępnej zabezpieczającej pompę, która znajduje się w jej dolnej części.

! Należy się upewnić, że cykl prania został zakończony i wyjąć wtyczkę z gniazdka.

Aby dostać się do komory wstępnej:



1. zdjąć panel pokrywy z przedniej strony pralki przy pomocy śrubokrętu (patrz rysunek);



2. odkręcić pokrywę, obracając ją w kierunku przeciwnym do ruchu wskazówek zegara (patrz rysunek): wypłynięcie niewielkiej ilości wody jest normalnym zjawiskiem;

3. dokładnie wyczyścić wnętrze;
4. ponownie przykręcić pokrywę;
5. ponownie założyć panel upewniwszy się, przed dociśnięciem go do maszyny, czy zatrzaski zostały umieszczone w odpowiednich otworach.

Kontrola przewodu doprowadzającego wodę

Przynajmniej raz w roku należy sprawdzić przewód doprowadzający wodę. Jeśli widoczne są na nim pęknięcia i rysy, należy go wymienić: w trakcie prania duże ciśnienie może bowiem spowodować jego nagłe zerwanie.

! Nigdy nie instalować już używanych przewodów.

Nieprawidłowości w działaniu i sposoby ich usuwania

Może się zdarzyć, że pralka nie działa. Przed wezwaniem Serwisu Technicznego (patrz „Serwis Techniczny”) należy sprawdzić, czy problemu nie da się łatwo rozwiązać przy pomocy poniższego wykazu.

Nieprawidłowości w działaniu: Możliwe przyczyny / Rozwiązania:

Pralka nie włącza się.

- Wtyczka nie jest włączona do gniazdka lub jest wsunięta za słabo, tak że nie ma styku.
- W domu nastąpiła przerwa w dostawie prądu.

Cykl prania nie rozpoczyna się.

- Drzwiczki pralki nie są dobrze zamknięte.
- Nie został wciśnięty przycisk WŁĄCZANIA/WYŁĄCZANIA.
- Nie został wciśnięty przycisk START/PAUZA.
- Kurek dopływu wody jest zamknięty.
- Zostało ustawione opóźnienie startu (patrz „Jak wykonać cykl prania lub suszenie”).

Pralka nie pobiera wody (na wyświetlaczu pojawi się napis „BRAK WODY, SPRAWDŹ DOPŁYW WODY”).

- Przewód doprowadzający wodę nie jest podłączony do kurka.
- Przewód jest zgięty.
- Kurek dopływu wody jest zamknięty.
- W domu nastąpiła przerwa w dostawie wody.
- Ciśnienie wody nie jest wystarczające.
- Nie został wciśnięty przycisk START/PAUZA.

Pralka cały czas pobiera i odprowadza wodę.

- Przewód odpływowy nie został zainstalowany na wysokości między 65 a 100 cm od podłogi (patrz „Instalacja”).
- Końcówka przewodu odpływowego jest zanurzona w wodzie (patrz „Instalacja”).
- Otwór odpływowy w ścianie nie posiada odpowietrznika.

Jeśli po sprawdzeniu tych możliwości problem nie zostanie rozwiązany, należy zamknąć kurek dopływu wody, wyłączyć pralkę i wezwać Serwis Techniczny. Jeśli mieszkanie znajduje się na najwyższych piętrach budynku, może wystąpić efekt syfonu, w wyniku którego pralka cały czas pobiera i odprowadza wodę. W celu wyeliminowania tej niedogodności należy zakupić specjalny zawór, zapobiegający powstawaniu efektu syfonu.

Pralka nie odprowadza wody i nie odwirowuje prania.

- Program nie przewiduje odprowadzania wody: w przypadku niektórych programów należy uruchomić je ręcznie (patrz „Programy i funkcje”).
- Włączona jest funkcja ŁATWE PRASOWANIE: aby zakończyć program, należy nacisnąć przycisk START/PAUZA („Programy i funkcje”).
- Przewód odpływowy jest zgięty (patrz „Instalacja”).
- Instalacja odpływowa jest zatkana.

Pralka mocno wibruje w fazie wirowania.

- Podczas instalacji pralki bęben nie został prawidłowo odblokowany (patrz „Instalacja”).
- Pralka nie jest właściwie wypoziomowana (patrz „Instalacja”).
- Pralka, zainstalowana pomiędzy meblami a ścianą, ma za mało miejsca (patrz „Instalacja”).

Z pralki wycieka woda.

- Przewód doprowadzający wodę nie jest dobrze przykręcony (patrz „Instalacja”).
- Szufładka na środki piorące jest zatkana (w celu jej oczyszczenia patrz „Utrzymanie i konserwacja”).
- Przewód odpływowy nie jest dobrze zamocowany (patrz „Instalacja”).

Maszyna jest zablokowana, wyświetlacz pulsuje i sygnalizuje kod anomalii (np.: F-01, F-..).

- Wyłączyć maszynę i wyjąć wtyczkę z gniazdka, odczekać około 1 minuty, następnie włączyć ją ponownie. Jeśli problem nie ustępuje, należy wezwać Serwis Techniczny.

Tworzy się zbyt duża ilość piany.

- Środek piorący nie jest odpowiedni do pralek automatycznych (na opakowaniu musi być umieszczony napis: „do pralek”, „do prania ręcznego i w pralce” lub podobny).
- Użyto za dużo środka piorącego.

Pralka nie suszy.

- Wtyczka nie jest włączona do gniazdka, lub jest wsunięta niedostatecznie, tak że nie ma kontaktu.
- W domu brak jest prądu.
- Drzwiczki nie są dobrze zamknięte.
- Nastawione zostało opóźnione uruchomienie.
- SUSZENIE jest w pozycji **OFF**.

Przed skontaktowaniem się z Serwisem Technicznym:

- *Sprawdzić, czy problemu nie można rozwiązać samodzielnie* (patrz „Nieprawidłowości w działaniu i sposoby ich usuwania”);
- Ponownie uruchomić program i sprawdzić, czy problem nie zniknął;
- Jeśli nie, zwrócić się do autoryzowanego Serwisu Technicznego, dzwoniąc pod numer podany w karcie gwarancyjnej.

! Nigdy nie wzywać nieautoryzowanych techników.

Należy podać:

- rodzaj nieprawidłowości;
- model maszyny (Mod.);
- numer seryjny (S/N).

Informacje te znajdują się na tabliczce umieszczonej w tylnej części pralki oraz widocznej z przodu po otwarciu drzwiczek.