

# Instructions for use

## WASHING MACHINE

GB

**GB**

English, 1

**CIS**

РУССКИЙ, 13

**DE**

Deutsch, 25

**CZ**

Český, 37

**RO**

Română, 49

**HU**

Magyar, 61

**SK**

Slovenský, 73

**AVSD 109**

### Contents

#### Installation, 2-3

Unpacking and levelling, 2  
Electric and water connections, 2-3  
The first wash cycle, 3  
Technical details, 3

#### Washing machine description, 4-5

Control panel, 4  
Display, 5

#### Starting and Programmes, 6

Briefly: how to start a programme, 6  
Programme table, 6

#### Personalisations, 7

Setting the temperature, 7  
Setting the spin cycle, 7  
Options, 7

#### Detergents and laundry, 8

Detergent dispenser, 8  
Bleach cycle, 8  
Preparing your laundry, 8  
Special items, 8  
Woolmark Platinum Care, 8

#### Precautions and advice, 9

General safety, 9  
Disposal, 9  
Saving energy and respecting the environment, 9

#### Care and maintenance, 10

Cutting off the water or electricity supply, 10  
Cleaning your appliance, 10  
Cleaning the detergent dispenser, 10  
Caring for your appliance door and drum, 10  
Cleaning the pump, 10  
Checking the water inlet hose, 10

#### Troubleshooting, 11

#### Service, 12

Before calling for Assistance, 12

# Installation

GB

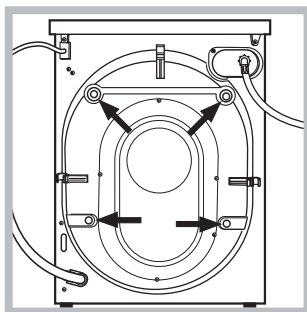
! Keep this instruction manual in a safe place for future reference. Should the appliance be sold, transferred or moved, make sure the instruction manual accompanies the washing machine to inform the new owner as to its operation and features.

! Read these instructions carefully: they contain vital information on installation, use and safety.

## Unpacking and levelling

### Unpacking

1. Unpack the washing machine.
2. Check whether the washing machine has been damaged during transport. If this is the case, do not install it and contact your retailer.



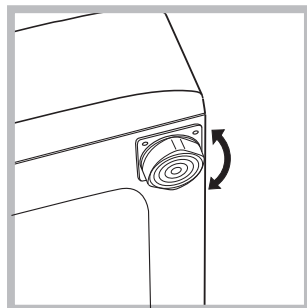
3. Remove the four protective screws and the rubber washer with the respective spacer, situated on the rear of the appliance (see figure).

4. Seal the gaps using the plastic plugs provided.
5. Keep all the parts: you will need them again if the washing machine needs to be moved to another location.

! Packaging materials are not children's toys.

### Levelling

1. Install the washing machine on a flat sturdy floor, without resting it up against walls, furniture cabinets or other.

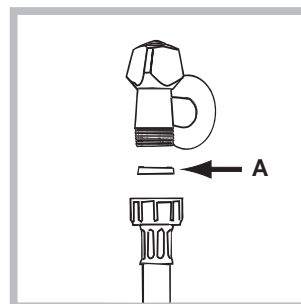


2. If the floor is not perfectly level, compensate for any unevenness by tightening or loosening the adjustable front feet (see figure); the angle of inclination, measured according to the worktop, must not exceed 2°.

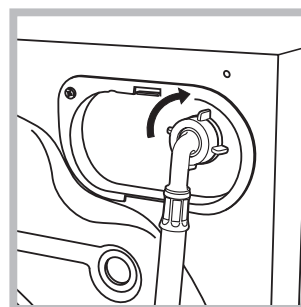
Levelling your appliance correctly will provide it with stability and avoid any vibrations, noise and shifting during operation. If it is placed on a fitted or loose carpet, adjust the feet in such a way as to allow enough room for ventilation beneath the washing machine.

## Electric and water connections

### Connecting the water inlet hose



1. Insert seal A into the end of the inlet hose and screw the latter onto a cold water tap with a 3/4 gas threaded mouth (see figure). Before making the connection, allow the water to run freely until it is perfectly clear.



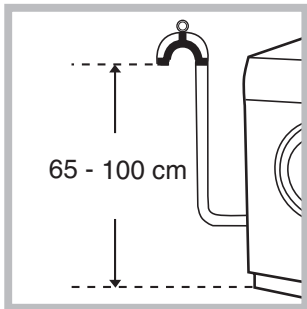
2. Connect the other end of the water inlet hose to the washing machine, screwing it onto the appliance's cold water inlet, situated on the top right-hand side on the rear of the appliance (see figure).

3. Make sure there are no kinks or bends in the hose.

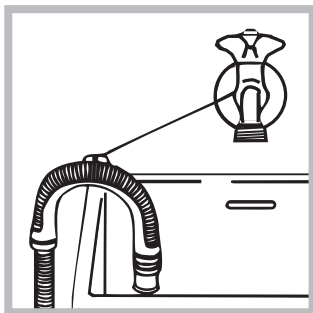
! The water pressure at the tap must be within the values indicated in the Technical details table (on the next page).

! If the water inlet hose is not long enough, contact a specialist store or an authorised serviceman.

### Connecting the drain hose



Connect the drain hose, without bending it, to a draining duct or a wall drain situated between 65 and 100 cm from the floor;



alternatively, place it over the edge of a basin, sink or tub, fastening the duct supplied to the tap (see figure). The free end of the hose should not be underwater.

! We advise against the use of hose extensions; in case of absolute need, the extension must have the same diameter as the original hose and must not exceed 150 cm in length.

### Electric connection

Before plugging the appliance into the mains socket, make sure that:

- the socket is earthed and in compliance with the applicable law;
- the socket is able to sustain the appliance's maximum power load indicated in the Technical details table (*on the right*);
- the supply voltage is included within the values indicated on the Technical details table (*on the right*);
- the socket is compatible with the washing machine's plug. If this is not the case, replace the socket or the plug.

! The washing machine should not be installed in an outdoor environment, not even when the area is sheltered, because it may be very dangerous to leave it exposed to rain and thunderstorms.

! When the washing machine is installed, the mains socket must be within easy reach.

! Do not use extensions or multiple sockets.

! The power supply cable must never be bent or dangerously compressed.

! The power supply cable must only be replaced by an authorised serviceman.

Warning! The company denies all liability if and when these norms are not respected.

### The first wash cycle

Once the appliance has been installed, and before you use it for the first time, run a wash cycle with detergent and no laundry, setting the 90°C programme without a pre-wash cycle.

### Technical details

**Model** AVSD 109

**Dimensions** 59.5 cm wide  
85 cm high  
40 cm deep

**Capacity** from 1 to 4,5 kg

**Electric connections** voltage 220/230 Volts 50 Hz  
maximum absorbed power 1850 W

**Water connections** maximum pressure 1 MPa (10 bar)  
minimum pressure 0.05 MPa (0.5 bar)  
drum capacity 40 litres

**Spin speed** up to 1000 rpm

**Control programmes according to IEC456 directive** programme 3; temperature 60°C;  
run with a load of 4,5 kg.

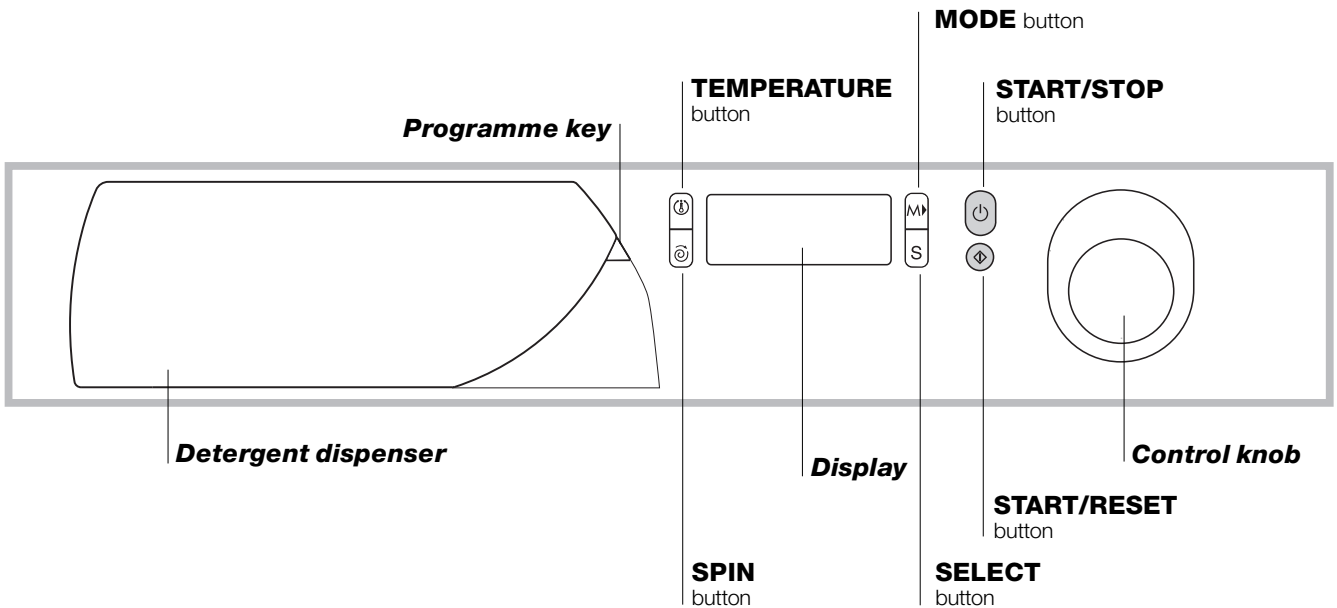


This appliance is compliant with the following European Community Directives:  
- 73/23/CEE of 19/02/73 (Low Voltage) and subsequent amendments  
- 89/336/CEE of 03/05/89 (Electromagnetic Compatibility) and subsequent amendments  
- 2002/96/CE

# Washing machine description

GB

## Control panel



**Detergent dispenser** to add detergent and fabric softener (see page 8).

**Programme key** to consult a straightforward chart of the different programmes available: pull the grey tab outwards to open it.

**TEMPERATURE** button to adjust the wash temperature (see page 7).

**SPIN** button to adjust the spin speed or exclude it altogether (see page 7).

**Display** to programme the washing machine and follow the wash cycle progress (see opposite page).

**MODE** button to choose the options for the appliance personalisation (see page 7).

**SELECT** button to set the options for the appliance personalisation (see page 7).

**START/STOP** button to turn the washing machine on and off.

**START/RESET** button to start the programmes or cancel any incorrect settings.

**Control knob** to select the wash programmes. The retractable control knob: press the centre of the knob for it to pop out. The knob stays still during the cycle.

## Display

In addition to being a practical tool to programme your appliance (see page 7), the display provides useful information concerning the wash cycle and status.



Once you have pressed the START/RESET button to start the programme, the display will indicate the amount of time left until the end of the wash cycle. If a delayed start has been set (using the Delay Timer, see page 7), the delay time will be indicated on the display.

The following information is displayed during the wash cycle:

### Cycle phase under way:

- |            |                  |
|------------|------------------|
| Pre-wash   | Spin cycle       |
| Wash cycle |                  |
| Rinse      | Disabled symbol. |

### Fabric selected:

- |            |      |
|------------|------|
| Cotton     | Wool |
| Colours    | Silk |
| Synthetics |      |

### Personalisation options:

The enabled options are bordered by a frame. To choose the options, see page 7.

- Disabled symbol.



### Door lock:

If the symbol is on, the washing machine door is locked to prevent it from being opened accidentally. To avoid any damages, wait for the symbol to switch itself off before you open the appliance door.

This model is fitted with a device that allows you to open the appliance door during some of the programme phases. This is possible when the symbol is not on.


At the end of the programme, the word END is displayed.


! In the event of an anomaly, an error code will appear, such as: F-01, which should be communicated to the Service Centre (see page 12).

# Starting and Programmes





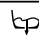
GB

## Briefly: starting a programme

1. Turn the washing machine on by pressing button .
2. Load your laundry into the washing machine and shut the appliance door.
3. Set the knob to the desired programme. The estimated duration of the selected programme is displayed. The temperature and spin speed are automatically set according to the programme (to change them, see page 7).

4. Add the detergent and any fabric softener (see page 8).
5. Start the programme by pressing the START/RESET button.  
To cancel it, keep the START/RESET button pressed for at least 2 seconds.
6. When the programme has ended, the word END is displayed. Take out your laundry and leave the appliance door ajar to allow the drum to dry thoroughly.
7. Turn the washing machine off by pressing button .

## Programme table

Type of fabric and degree of soil	Programmes	Wash temp.	Detergent		Fabric softener	Bleaching option/bleach	Cycle length (minutes)	Description of wash cycle
			Pre-wash	Wash				
<b>Cotton</b>								
Extremely soiled whites (sheets, tablecloths, etc.)	1	90°C	•	•	•		137	Pre-wash, wash cycle, rinse cycles, intermediate and final spin cycles
Extremely soiled whites (sheets, tablecloths, etc.)	2	90°C		•	•	Delicate/Traditional	120	Wash cycle, rinse cycles, intermediate and final spin cycles
Heavily soiled whites and fast colours	3	60°C		•	•	Delicate/Traditional	105	Wash cycle, rinse cycles, intermediate and final spin cycles
Slightly soiled whites and delicate colours (shirts, jumpers, etc.)	4	40°C		•	•	Delicate/Traditional	72	Wash cycle, rinse cycles, intermediate and final spin cycles
Slightly soiled delicate colours	5	30°C		•	•	Delicate/Traditional	65	Wash cycle, rinse cycles, intermediate and final spin cycles
<b>Synthetics</b>								
Heavily soiled fast colours (baby linen, etc.)	6	60°C		•	•	Delicate	77	Wash cycle, rinse cycles, anti-crease or delicate spin cycle
Fast colours (all types of slightly soiled garments)	6	40°C		•	•	Delicate	62	Wash cycle, rinse cycles, anti-crease or delicate spin cycle
Heavily soiled fast colours (baby linen, etc.)	7	50°C		•	•	Delicate	73	Wash cycle, rinse cycles, anti-crease or delicate spin cycle
Delicate colours (all types of slightly soiled garments)	8	40°C		•	•	Delicate	58	Wash cycle, rinse cycles, anti-crease or delicate spin cycle
Delicate colours (all types of slightly soiled garments)	9	30°C		•	•		30	Wash cycle, rinse cycles and delicate spin cycle
<b>Delicate</b>								
Wool	10	40°C		•	•	Delicate	50	Wash cycle, rinse cycles and delicate spin cycle
Very delicate fabrics (curtains, silk, viscose, etc.)	11	30°C		•	•		45	Wash cycle, rinse cycles, anti-crease or draining cycle
<b>PARTIAL PROGRAMMES</b>								
Rinse					•	•		Rinse cycles and spin cycle
Delicate rinse cycle					•	•		Rinse cycles, anti-crease or draining
Spin cycle								Draining and heavy duty spin cycle
Delicate spin cycle								Draining and delicate spin cycle
Draining								Draining

## Notes

For the anti-crease function: see Easy iron, *opposite page*. The information contained in the table is purely indicative.

## Special programme

*Daily 30'* (programme 9 for Synthetics) is designed to wash lightly soiled garments in a short amount of time: it only lasts 30 minutes and allows you to save on both time and energy. By setting this programme (9 at 30°C), you can wash different fabrics together (except for woollen and silk items), with a maximum load of 3 kg.

*We recommend the use of liquid detergent.*

# Personalisations



## Setting the temperature

Press button and the maximum temperature allowed for the programme set will be displayed. Press the same button to lower this temperature. OFF indicates a cold wash. The temperature adjustment is enabled with all wash programmes.



## Setting the spin cycle

Press button and the maximum spin speed allowed for the programme set will be displayed. Press the same button to lower the value down to OFF, which indicates that the spin cycle has been excluded altogether (press it again to go back to the maximum value). The spin cycle exclusion is indicated by symbol . The spin cycle setting is enabled with all the programmes except for 11 and the Draining cycle.



## Options

The various wash options available with this washing machine will make for the desired results, every time. To select the various options, the following procedure should be followed at all times:

1. Press the MODE button to scroll through the various options available; the enabled symbol will flash.
2. To select it, press the SELECT button, until the word ON is displayed (for the Delay Timer, the time will be displayed: see table below).
3. Confirm your setting by pressing the MODE button again: the symbol for the option will stop flashing on the display.

The selected options can be seen on the display, as they are bordered by a frame.

Option	Effect	Comments	Enabled with programmes:
Delay Timer	Delays the start of the wash by up to 24 hours.	Press <b>S</b> (SELECT button) repeatedly until the desired delay is displayed. OFF indicates no delay has been set.	All
Bleaching	Bleaching cycle designed to remove the toughest stains.	Please remember to pour the bleach into extra compartment 4 (see page 8). This option is incompatible with the EASY IRON option.	2, 3, 4, 5, 6, 7, 8, 10, Rinse cycles.
Easy iron	This option reduces the amount of creasing on fabrics, making them easier to iron.	If you set this option, programmes 6, 7, 8, 11 and Delicate Rinse will be suspended, leaving the laundry to soak (Anti-crease) and icon  will flash: - to conclude the cycle, press the START/RESET button; - to run the draining cycle alone, set the knob to the relative symbol  and press the START/RESET button. This option is incompatible with the BLEACHING option.	All programmes except for 1, 2, 9, 10 and Draining.
Super Wash	Allows for an impeccable wash, visibly whiter than a standard Class A wash.	This option is incompatible with the RAPID option.	1, 2, 3, 4, 5, 6, 7, 8
Rapid	Cuts the duration of the wash cycle by 30%.	This option is incompatible with the SUPER WASH option.	1, 2, 3, 4, 5, 6, 7, 8
Extra Rinse	Increases the efficiency of the rinse.	Recommended when the appliance has a full load or with large quantities of detergent.	1, 2, 3, 4, 5, 6, 7, 8, and Rinse cycles.

GB

Installation

Description

Programmes

Detergents

Precautions

Care

Troubleshooting

Service

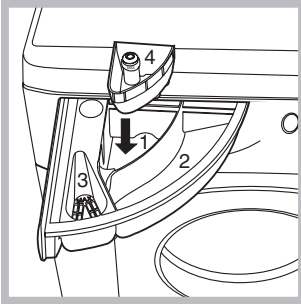


# Detergents and laundry

GB

## Detergent dispenser

Good washing results also depend on the correct dose of detergent: adding too much detergent won't necessarily make for a more efficient wash, and may in fact cause build up on the interior of your appliance and even pollute the environment.



Open up the detergent dispenser and pour in the detergent and fabric softener, as follows.

### compartment 1: Detergent for pre-wash (powder)

Before pouring in the detergent, make sure that extra compartment 4 has been removed.

### compartment 2: Detergent for the wash cycle (powder or liquid)

Liquid detergent should only be poured in immediately prior to the wash cycle start.

### compartment 3: Additives (fabric softeners, etc.)

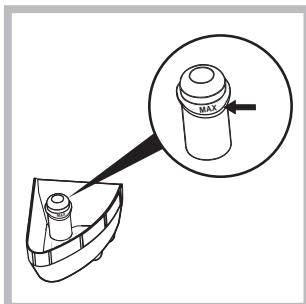
The fabric softener should not overflow from the grid.

### extra compartment 4: Bleach



! Do not use hand wash detergent because it may form too much foam.

## Bleach cycle

! **Traditional** bleach should be used on sturdy white fabrics, and **delicate** bleach for coloured fabrics, synthetics and for wool.



Place extra compartment 4, provided, into compartment 1. When pouring in the bleach, be careful not to exceed the "max" level indicated on the central pivot (see figure).

To run the bleach cycle alone, pour the bleach into extra compartment 4, set the Rinse programme  (for Cotton fabrics) or delicate Rinse  (for Synthetic fabrics) and enable the Bleaching option (see page 7). To bleach during a wash cycle, pour in the detergent and fabric softener, set the desired programme and enable the Bleaching option (see page 7).

The use of extra compartment 4 excludes the possibility of using the pre-wash cycle. In addition, the bleach cycle cannot be run with programmes 11 (Silk) and Daily 30' (see page 6).

## Preparing your laundry

- Divide your laundry according to:
  - the type of fabric/the symbol on the label.
  - the colours: separate coloured garments from whites.
- Empty all pockets and check for loose buttons.
- Do not exceed the weight limits stated below, which refer to the weight when dry:
  - Sturdy fabrics: max 4,5 kg
  - Synthetic fabrics: max 2.5 kg
  - Delicate fabrics: max 2 kg
  - Wool: max 1 kg

### How much does your laundry weigh?

- 1 sheet 400-500 g
- 1 pillow case 150-200 g
- 1 tablecloth 400-500 g
- 1 bathrobe 900-1,200 g
- 1 towel 150-250 g

## Special items

**Curtains:** fold curtains and place them in a pillow case or mesh bag. Wash them separately without exceeding half the appliance load. Use programme 11 which excludes the spin cycle automatically.

**Quilted coats and windbreakers:** if they are padded with goose or duck down, they can be machine-washed. Turn the garments inside out and load a maximum of 2-3 kg, repeating the rinse cycle once or twice and using the delicate spin cycle.

**Trainers:** remove any mud. They can be washed together with jeans and other tough garments, but not with whites.

**Wool:** for best results, use a specific detergent, taking care not to exceed a load of 1 kg.

## Woolmark Platinum Care



### As gentle as a hand wash.

Ariston sets a new standard of superior performance that has been endorsed by The Woolmark Company with the prestigious Woolmark Platinum Care brand. Look for the Woolmark Platinum Care logo on the washing machine to ensure you can safely and effectively wash wool garments labelled as "hand wash" (M.0303):



Set programme 10 for all "Hand wash" garments, using the appropriate detergent.



# Precautions and advice

! The washing machine was designed and built in compliance with the applicable international safety regulations. The following information is provided for your safety and should consequently be read carefully.

## General safety

- This appliance has been designed for non-professional, household use and its functions must not be changed.
- This washing machine should only be used by adults and in accordance with the instructions provided in this manual.
- Never touch the washing machine when barefoot or with wet or damp hands or feet.
- Do not pull on the power supply cable to unplug the appliance from the electricity socket. Pull the plug out yourself.
- Do not open the detergent dispenser while the appliance is in operation.
- Do not touch the drain water as it could reach very high temperatures.
- Never force the washing machine door: this could damage the safety lock mechanism designed to prevent any accidental openings.
- In the event of a malfunction, do not under any circumstances touch internal parts in order to attempt repairs.
- Always keep children well away from the appliance while in operation.
- The appliance door tends to get quite hot during the wash cycle.
- Should it have to be moved, proceed with the help of two or three people and handle it with the utmost care. Never try to do this alone, because the appliance is very heavy.
- Before loading your laundry into the washing machine, make sure the drum is empty.

## Disposal

- Disposing of the packaging material: observe local regulations, so the packaging can be re-used.
- The European Directive 2002/96/EC on Waste Electrical and Electronic Equipment, requires that old household electrical appliances must not be disposed of in the normal unsorted municipal waste stream. Old appliances must be collected separately in order to optimise the recovery and recycling of the materials they contain and reduce

the impact on human health and the environment. The crossed out "wheeled bin" symbol on the product reminds you of your obligation, that when you dispose of the appliance it must be separately collected.

Consumers should contact their local authority or retailer for information concerning the correct disposal of their old appliance.

## Saving energy and respecting the environment

### Environmentally-friendly technology

If you only see a little water through your appliance door, this is because thanks to the latest Ariston technology, your washing machine only needs less than half the amount of water to get the best results: an objective reached to respect the environment.

### Saving on detergent, water, energy and time

- To avoid wasting resources, the washing machine should be used with a full load. A full load instead of two half loads allows you to save up to 50% on energy.
- The pre-wash cycle is only necessary on extremely soiled garments. Avoiding it will save on detergent, time, water and between 5 and 15% energy.
- Treating stains with a stain remover or leaving them to soak before washing will cut down the need to wash them at high temperatures. A programme at 60°C instead of 90°C or one at 40°C instead of 60°C will save up to 50% on energy.
- Use the correct quantity of detergent depending on the water hardness, how soiled the garments are and the amount of laundry you have, to avoid wastage and to protect the environment: despite being biodegradable, detergents do contain ingredients that alter the natural balance of the environment. In addition, avoid using fabric softener as much as possible.
- If you use your washing machine from late in the afternoon until the early hours of the morning, you will help reduce the electricity board's peak load. The Delay Timer option (see page 7) helps to organise your wash cycles accordingly.
- If your laundry has to be dried in a tumble dryer, select a high spin speed. Having the least water possible in your laundry will save you time and energy in the drying process.

GB

Installation

Description

Programmes

Detergents

Precautions

Care

Troubleshooting

Service

# Care and maintenance

GB

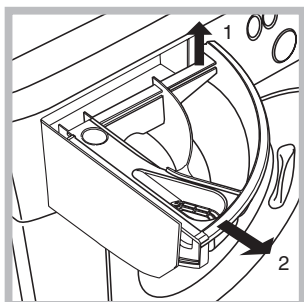
## Cutting off the water or electricity supply

- Turn off the water tap after every wash. This will limit the wear of your appliance's water system and also prevent leaks.
- Unplug your appliance when cleaning it and during all maintenance operations.

## Cleaning your appliance

The exterior and rubber parts of your appliance can be cleaned with a soft cloth soaked in lukewarm soapy water. Do not use solvents or abrasives.

## Cleaning the detergent dispenser



Remove the dispenser by raising it and pulling it out (see figure). Wash it under running water; this operation should be repeated frequently.

## Caring for your appliance door and drum

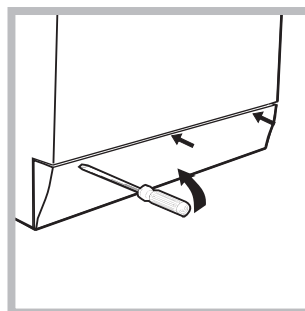
- Always leave the appliance door ajar to prevent unpleasant odours from forming.

## Cleaning the pump

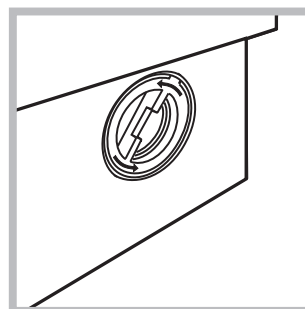
The washing machine is fitted with a self-cleaning pump that does not require any maintenance. Sometimes, small items (such as coins or buttons) may fall into the pre-chamber that protects the pump, situated in the lower part of the same.

**!** Make sure the wash cycle has ended and unplug the appliance.

To access the pre-chamber:



1. using a screwdriver, remove the cover panel on the lower front of the washing machine (see figure);



2. unscrew the lid rotating it anti-clockwise (see figure): a little water may trickle out. This is perfectly normal;

3. clean the interior thoroughly;
4. screw the lid back on;
5. reposition the panel, making sure the hooks are securely in place before you push it onto the appliance.

## Checking the water inlet hose

Check the water inlet hose at least once a year. If you see any cracks, replace it immediately: during the wash cycles, water pressure is very strong and a cracked hose could easily split open.

**!** Never use hoses that have already been used.

Your washing machine could fail to work. Before calling for Assistance (see page 12), make sure the problem can't easily be solved by consulting the following list.


## Problem

## Possible causes/Solution:

**The washing machine won't start.**

- The appliance is not plugged into the socket, or not enough to make contact.
- There has been a power failure.

**The wash cycle won't start.**

- The appliance door is not shut properly (the word DOOR is displayed).
- The  button has not been pressed.
- The START/RESET button has not been pressed.
- The water tap is not turned on.
- A delayed start has been set (using the Delay Timer, see page 7).

**The washing machine fails to load water (The wording H2O is displayed).**

- The water inlet hose is not connected to the tap.
- The hose is bent.
- The water tap is not turned on.
- There is a water shortage.
- The water pressure is insufficient.
- The START/RESET button has not been pressed.

**The washing machine continuously loads and unloads water.**

- The drain hose is not fitted between 65 and 100 cm from the floor (see page 3).
- The free end of the hose is underwater (see page 3).
- The wall drainage system doesn't have a breather pipe.

If the problem persists even after these checks, turn off the water tap, switch the appliance off and call for Assistance. If the dwelling is on one of the upper floors of a building, there may be drain trap problems causing the washing machine to load and unload water continuously. In order to avoid such an inconvenience, special anti-drain trap valves are available in shops.

**The washing machine does not drain or spin.**

- The programme does not foresee the draining: some programmes require enabling the draining manually (see page 6).
- The Easy iron option is enabled: to complete the programme, press the START/RESET button (see page 7).
- The drain hose is bent (see page 3).
- The drain duct is clogged.

**The washing machine vibrates too much during the spin cycle.**

- The drum was not unblocked correctly during installation (see page 2).
- The washing machine is not level (see page 2).
- The washing machine is closed in between furniture cabinets and the wall (see page 2).

**The washing machine leaks.**

- The water inlet hose is not screwed on correctly (see page 2).
- The detergent dispenser is obstructed (to clean it, see page 10).
- The drain hose is not secured properly (see page 3).

**There is too much foam.**

- The detergent is not suitable for machine washing (it should bear the definition "for washing machines" or "hand and machine wash", or the like).
- You used too much detergent.

GB

Installation

Description

Programmes

Detergents

Precautions

Care

Troubleshooting

Service

**Before calling for Assistance:**

- Check whether you can solve the problem on your own (*see page 11*);
- Restart the programme to check whether the problem has been solved;
- If this is not the case, contact an authorised Technical Service Centre on the telephone number provided on the guarantee certificate.

! Always request the assistance of authorised servicemen.

**Notify the operator of:**

- the type of problem;
- the appliance model (Mod.);
- the serial number (S/N).

This information can be found on the data plate situated on the rear of the washing machine.

# Руководство по эксплуатации

СТИРАЛЬНАЯ МАШИНА

CIS

РУССКИЙ

AVSD 109

CIS

## Содержание

### Установка, 14-15

Распаковка и выравнивание, 14  
Подключение к водопроводной и электрической сети, 14-15  
Пробный цикл стирки, 15  
Технические характеристики, 15

### Описание стиральной машины, 16-17

Панель управления, 16  
Дисплей, 17

### Запуск машины. Программы, 18

Краткие инструкции: Порядок запуска программы, 18  
Таблица программ, 18

### Персонализация стирки, 19

Выбор температуры, 19  
Установка скорости отжима, 19  
Дополнительные функции, 19

### Моющие средства и белье, 20

Распределитель моющих средств, 20  
Отбеливание, 20  
Подготовка белья, 20  
Особенности стирки отдельных изделий, 20  
Woolmark Platinum Care, 20

### Предупреждения и рекомендации, 21

Общие правила безопасности, 21  
Утилизация, 21  
Экономия и охрана окружающей среды, 21

### Обслуживание и уход, 22

Отключение воды и электричества, 22  
Уход за стиральной машиной, 22  
Уход за распределителем моющих средств, 22  
Уход за дверцей машины и барабаном, 22  
Чистка насоса, 22  
Проверка заливного шланга, 22

### Устранение неисправностей, 23

### Сервисное обслуживание, 24



ARISTON

# Установка

CIS

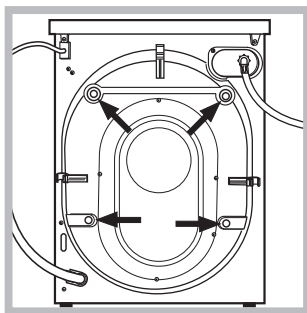
**!** Сохраните данное руководство. Оно должно быть в комплекте со стиральной машиной в случае продажи, передачи оборудования или при переезде на новую квартиру, чтобы новый владелец оборудования мог ознакомиться с правилами его функционирования и обслуживания.

**!** Внимательно прочитайте руководство: в нем содержатся важные сведения по установке и безопасной эксплуатации стиральной машины.

## Распаковка и выравнивание

### Распаковка

1. Распакуйте стиральную машину.
2. Убедитесь, что оборудование не было повреждено во время транспортировки. При обнаружении повреждений – не подключайте машину – свяжитесь с поставщиком немедленно.



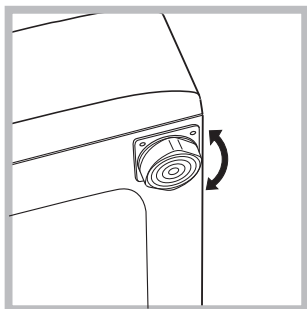
3. Удалите четыре транспортировочных винта и резиновые пробки с прокладками, расположенные в задней части стиральной машины (см. рис.).

4. Закройте отверстия прилегающими пластиковыми заглушками.
5. Сохраняйте все детали: они Вам понадобятся при последующей транспортировке стиральной машины.

**!** Не разрешайте детям играть с упаковочными материалами.

### Выравнивание

1. Установите стиральную машину на ровном и прочном полу, так чтобы она не касалась стен, мебели и прочих предметов.



2. После установки машины на место отрегулируйте ее устойчивое положение путем вращения передних ножек (см. рис.). Для этого сначала ослабьте контргайку, после завершения регулировки контргайку затяните.

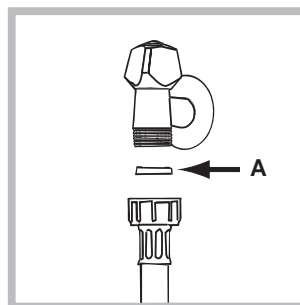
После установки машины на место проверьте по уровню горизонтальность верхней крышки корпуса, отклонение горизонтали должно быть не более 2°.

Правильное выравнивание оборудования поможет избежать шума, вибраций и смещений во время работы машины.

Если стиральная машина стоит на полу, покрытом ковром, убедитесь, что ее основание возвышается над ковром. В противном случае вентиляция будет затруднена или вовсе невозможна.

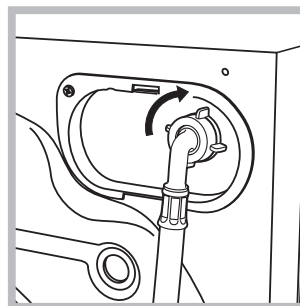
## Подключение к водопроводной и электрической сети

### Подсоединение заливного шланга



1. Вставьте прокладку А в конец заливного шланга и наверните его на вывод водопровода холодной воды с резьбовым отверстием 3/4 дюйма (см. рис.).

Перед подсоединением откройте водопроводный кран и дайте стечь грязной воде.



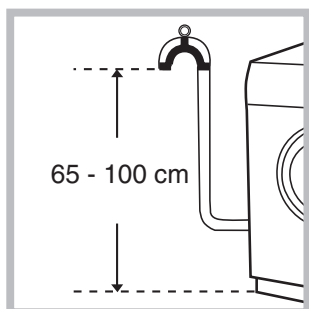
2. Подсоедините заливной шланг к стиральной машине, навинтив его на водоприемник, расположенный в задней верхней части справа (см. рис.).

3. Убедитесь, что шланг не перекручен и не пережат.

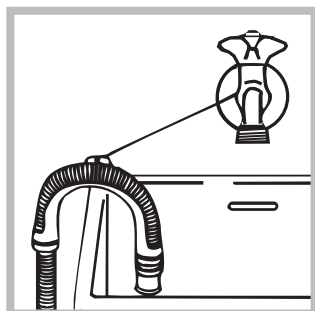
**!** Давление воды должно быть в пределах значений, указанных в таблице Технических характеристик (см. с. 3).

**!** Если длина водопроводного шланга окажется недостаточной, обратитесь в Авторизованный Сервисный центр.

### Подсоединение сливного шланга



Повесьте загнутый конец сливного шланга на край раковины, ванны, или поместите в специальный вывод канализации. Шланг не должен перегибаться. Верхняя точка сливного шланга должна находиться на высоте 65-100 см от пола. Расположение сливного шланга должно обеспечивать разрыв струи при сливе (конец шланга не должен быть опущен в воду).



В случае крепления на край ванной или раковины, шланг вешается с помощью направляющей (входит в комплект поставки), которая крепится к крану (рис.).

**!** Не рекомендуется применение удлинителей для сливного шланга, при необходимости допускается его наращивание шлангом такого же диаметра и длиной не более 150 см.

### Подсоединение к электросети

Внимание! Оборудование обязательно должно быть заземлено!

1. Машина подключается к электрической сети при помощи двухполюсной розетки с заземляющим контактом (розетка не поставляется с машиной). Фазный провод должен быть подключен через автомат защиты сети, рассчитанный на максимальный ток (ток срабатывания) 16 А, и имеющий время срабатывания не более 0,1 с.
2. При наличии вблизи от предполагаемого места установки машины розетки с заземляющим контактом, имеющей трехпроводную подводку кабеля с медными жилами сечением не менее 1,5 кв. мм (или алюминиевыми жилами сечением не менее 2,5 кв. мм), доработка электросети не производится. При отсутствии указанной розетки и проводки следует провести их монтаж.
3. Прокладка заземления отдельным проводом не допускается.
4. Для доработки электрической сети рекомендуется применять провод типа ППВ 3х1,5 380 ГОСТ 6223-79. Допускается применение других марок кабеля, обеспечивающих пожаро- и электробезопасность при эксплуатации машины.

Перед включением машины в сеть убедитесь, что:

- розетка и проводка соответствуют требованиям, изложенным в данном разделе инструкции;
- напряжение и частота тока сети соответствуют данным машины;
- розетка и вилка одного типа;

- розетка заземлена в соответствии с нормами безопасности, описанными в данном разделе инструкции (допускается организация заземления рабочим нулем, при условии, что защитная линия не имеет разрыва и подключена напрямую в обвод каких-либо приборов (например, электрического счетчика).

Если вилка не подходит к розетке, ее следует заменить на новую, соответствующую розетке, или заменить питающий кабель. Замена кабеля должна производиться только квалифицированным персоналом.

Запрещается использование переходников, двойных и более розеток и удлинителей (они создают опасность возгорания). Если Вы считаете их использование необходимым, применяйте один единственный удлинитель, удовлетворяющий требованиям безопасности.

*Оборудование, подключенное с нарушением требований безопасности бытовых приборов большой мощности, изложенных в данной инструкции, является потенциально опасным.*

*Производитель не несет ответственности за ущерб здоровью и собственности, если он вызван несоблюдением указанных норм установки.*

### Первый цикл стирки

По завершении установки, перед началом эксплуатации необходимо произвести один цикл стирки со стиральным порошком, но без белья, по программе 90°C без предварительной стирки.

Технические характеристики	
<b>Модель</b>	AVSD 109
<b>Размеры</b>	ширина 59,5 см высота 85 см глубина 40 см
<b>Загрузка</b>	1 - 4,5 кг
<b>Электрические параметры</b>	напряжение 220/230 В 50 Гц max мощность 1850 Ватт
<b>Гидравлические параметры</b>	max давление 1 Мпа (10 бар) min давление 0,05 Мпа (0,5 бар) объем барабана 40 л
<b>Скорость отжима</b>	до 1000 об/мин
<b>Контрольные программы согласно нормативу IEC 456</b>	программа 3; температура 60°C; при загрузке до 4,5 кг.
	Машина соответствует следующим Директивам Европейского Экономического сообщества: - 73/223/ ЕЕС от 19.02.73 (низкого напряжения) и последующие модификации - 89/336 /ЕЕС от 03.05.89 (электромагнитной совместимости) и последующие модификации

CIS

Установка

Описание

Программы

Моющие средства

Меры безопасности

Обслуживание и уход

Неисправности

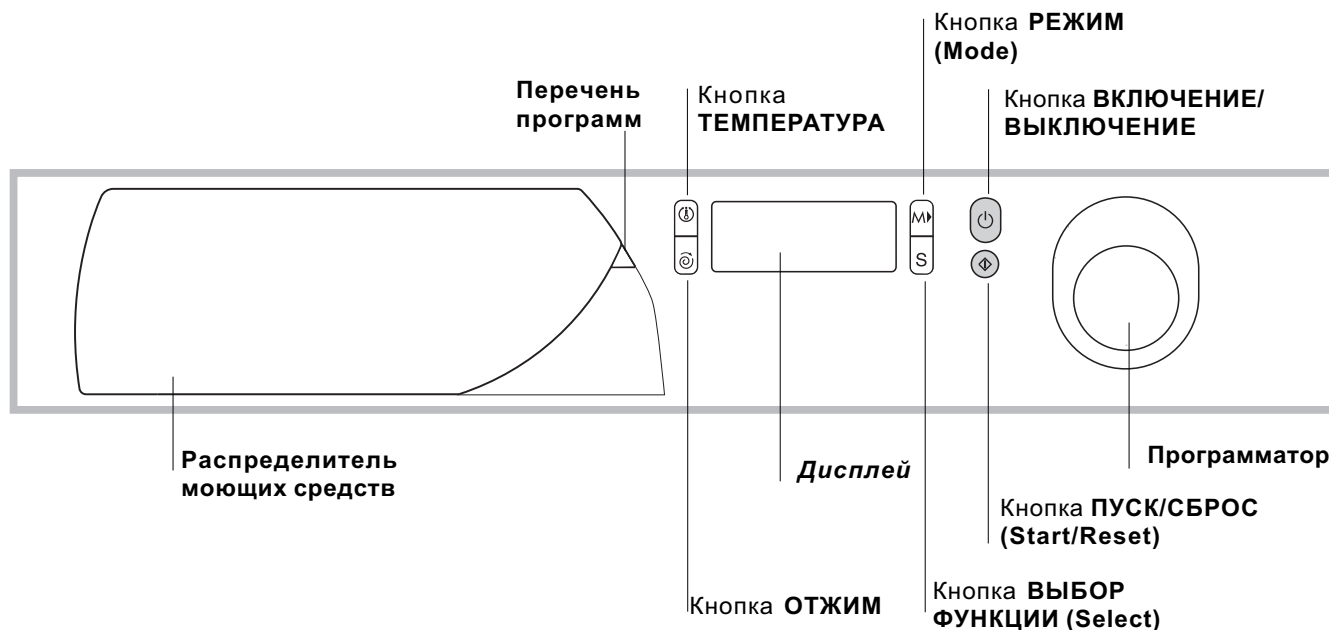
Сервис



# Описание стиральной машины

CIS

## Панель управления



**Распределитель моющих средств** для загрузки стирального порошка и смягчителей (см. с. 20).

**Краткий перечень программ** удобен для быстрой справки. Чтобы открыть перечень, потяните за серый язычок.

Кнопка **ТЕМПЕРАТУРА** служит для выбора температуры стирки (см. с. 19).

Кнопка **ОТЖИМ** используется для выбора скорости отжима, а также для его исключения (см. с. 19).

**Дисплей** служит для программирования стиральной машины и для контроля за циклами стирки (см. с. 17).

Кнопка **РЕЖИМ** используется для выбора дополнительных функций для персонализации циклов стирки (см. с. 19).

Кнопкой **ВЫБОР** выбираются дополнительные функции для персонализации циклов стирки (см. с. 19).

Кнопка **ВКЛЮЧЕНИЕ/ВЫКЛЮЧЕНИЕ** служит для включения и выключения стиральной машины.

Кнопка **ПУСК/СБРОС** используется для запуска программ или для отмены ошибочного программирования.

**Программатор** служит для выбора программ. Рукоятка может быть утоплена в панель управления: для ее использования слегка нажмите на нее в центре — рукоятка выдвинется наружу.

**В процессе выполнения программы рукоятка остается неподвижной.**

## Дисплей

Дисплей – удобное устройство для программирования оборудования (см. с. 19), которое также информирует пользователя о цикле стирки и текущем состоянии машины.



При нажатии кнопки ПУСК/СБРОС (Start/Reset) для запуска программы на дисплее показывается приблизительное время, остающееся до завершения цикла. В случае установки отложенного старта программы (пуск по таймеру, см. с. 19) дисплей будет показывать время, оставшееся до начала стирки.

В процессе выполнения цикла стирки дисплей показывает следующие сведения:

### Текущая фаза цикла:

	Предварительная стирка		Отжим
	Стирка		Символ не задействован.
	Полоскание		

### Выбор типа белья:

	Хлопок		Шерсть
	Цветное белье		Шелк
	Синтетика		

### Дополнительные функции

#### для персонализированной стирки:

Символы доступных дополнительных функций выделяются рамкой. Для выбора дополнительных функций см. с. 19.

Символ не задействован.



### Блокировка дверцы:

Горящий символ показывает — дверца заблокирована, чтобы исключить ее случайное открывание.

Во избежание повреждений прежде, чем открыть дверцу, подождите пока символ погаснет.

Данная модель оснащена устройством, позволяющим открыть дверцу также в процессе выполнения некоторых фаз цикла. Это возможно, когда символ не горит.

По завершении программы на дисплее появляется сообщение END (Конец).

**!** В случае неисправности на дисплее появляется код ошибки, например: F-01, который необходимо сообщить в Авторизованный Сервисный центр (см. с. 24).

CIS

Установка

Описание

Программы

Моющие средства

Меры безопасности

Обслуживание и уход


Неисправности

Сервис

# Запуск машины. Программы


CIS

## Краткие инструкции: Порядок запуска программы



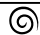
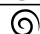
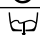
1. Включите стиральную машину, нажав кнопку .
2. Загрузите белье и закройте дверцу машины.
3. Установите рукоятку программатора на нужную программу. На дисплее появится прогнозируемая продолжительность выбранного цикла. Температура и скорость отжима задаются автоматически в соответствии с выбранной программой (как изменить их см. на с. 19).
4. Добавьте в распределитель моющее средство, ополаскиватель, отбеливатель (см. с. 20).

5. Запустите программу, нажав кнопку ПУСК/СБРОС (Start/Reset).

Для отмены запуска держите нажатой кнопку ПУСК/СБРОС (Start/Reset) в течение 2-х секунд.

**По окончании программы** на дисплее появится сообщение END (Конец). Подождите пока на дисплее погаснет символ блокировки дверцы. Выключите стиральную машину, нажав кнопку . Откройте дверцу машины. Вынув белье, оставьте дверцу машины открытой, чтобы дать испариться оставшейся влаге. Обязательно перекройте кран подачи воды и отключите машину из сети.

## Таблица программ

Ткань и степень загрязнения	Программа	Температура	Моющее средство		Смягчитель	Отбеливание (Функция)/Отбеливатель	Длительность цикла, мин	Описание цикла стирки
			предв. стирка	основная стирка				
<b>Хлопок</b>								
Очень сильно загрязненное белое белье (простыни, скатерти и т.д.)	1	90°C	•	•	•		137	Предварительная стирка, стирка при высокой температуре, полоскание, промежуточный и окончательный отжим
Очень сильно загрязненное белое белье (простыни, скатерти и т.д.)	2	90°C		•	•	Деликат./Обычный	120	Стирка при высокой температуре, полоскание, промежуточный и окончательный отжим
Сильно загрязненное белое и прочно окрашенное цветное белье	3	60°C		•	•	Деликат./Обычный	105	Стирка при 60°C, полоскание, промежуточный и окончательный отжим
Слабо загрязненное белое и линяющее цветное белье (рубашки, маки и пр.)	4	40°C		•	•	Деликат./Обычный	72	Стирка при 40°C, полоскание, промежуточный и окончательный отжим
Слабо загрязненное линяющее цветное белье	5	30°C		•	•	Деликат./Обычный	65	Стирка при 30°C, полоскание, промежуточный и окончательный отжим
<b>Синтетика</b>								
Сильно загрязненная, прочно окрашенная цветная (детская одежда и пр.)	6	60°C		•	•	Деликатн.	77	Стирка при 60°C, полоскание, остановка с водой или деликатный отжим
Сильно загрязненная, прочно окрашенная цветная (любая одежда)	6	40°C		•	•	Деликатн.	62	Стирка при 40°C, полоскание, остановка с водой или деликатный отжим
Сильно загрязненная, прочно окрашенная цветная (детская одежда и пр.)	7	50°C		•	•	Деликатн.	73	Стирка при 50°C, полоскание, остановка с водой или деликатный отжим
Слабо загрязненная, деликатная цветная (любая одежда)	8	40°C		•	•	Деликатн.	58	Стирка при 40°C, полоскание, остановка с водой или деликатный отжим
Слабо загрязненная, деликатная цветная (любая одежда)	9	30°C		•	•		30	Стирка при 30°C, полоскание и деликатный отжим
<b>Деликатные ткани</b>								
Шерсть	10	40°C		•	•	Деликатн.	50	Стирка при 40°C, полоскание и деликатный отжим
Особо деликатные ткани и одежда (занавеси, шелк, вискоза и пр.)	11	30°C		•	•		45	Стирка при 30°C, полоскание, остановка с водой или слив
<b>ЧАСТИЧНЫЕ ПРОГРАММЫ</b>								
Полоскание					•	•		Полоскание и отжим
Деликатное полоскание					•	•		Полоскание, остановка с водой или слив
Отжим								Слив и сильный отжим
Деликатный отжим								Слив и деликатный отжим
Слив								Слив

### Примечание

«Остановка с водой»: см. дополнительную функцию «Легкая глажка» на с. 19. Данные в таблице, являются справочными и могут меняться в зависимости от конкретных условий стирки (объем стирки, температура воды в водопроводной системе, температура в помещении и др.).

### Специальная программа

**Повседневная стирка 30' мин** (программа 9 для Синтетических тканей) предназначена для быстрой стирки слабозагрязненного белья: цикл длится всего 30 минут, что позволяет сэкономить время и электроэнергию. Установив эту программу (9 при температуре 30°C), Вы можете стирать различные виды тканей вместе (за исключением шерсти и шелка) при максимальной загрузке белья 3 кг. Мы рекомендуем использовать жидкое моющее средство.



## Установка температуры

При нажатии кнопки на дисплее показывается максимальная допустимая температура для выбранной программы. Нажмите на эту же кнопку, чтобы понизить температуру. OFF обозначает стирку в холодной воде. Регулировку температуры можно выполнять для всех программ стирки.



## Установка скорости отжима

При нажатии кнопки на дисплее показывается максимальная допустимая скорость отжима для выбранной программы. Каждое нажатие кнопки уменьшает скорость отжима вплоть до его исключения — «OFF» (выключено). Нажмите кнопку еще раз для возврата к максимальному значению. Исключение отжима обозначается символом . Регулировку скорости отжима можно выполнять для всех программ стирки, кроме программы 11 и Слив.



## Дополнительные функции

Стиральная машина имеет различные дополнительные функции, которые помогут Вам получить желаемые результаты стирки. Выбор дополнительных функций всегда осуществляется в следующей последовательности:

1. Нажмите кнопку РЕЖИМ (Mode), чтобы просмотреть различные имеющиеся дополнительные функции. Доступный символ будет мигать.
  2. Чтобы выбрать функцию, нажимайте кнопку ВЫБОР (Select) до тех пор, пока на дисплее не появится сообщение ON (ВКЛЮЧЕНО) (для запуска программы по таймеру появится значение времени: см. приведенную ниже таблицу)
  3. Подтвердите выбор повторным нажатием кнопки РЕЖИМ (Mode): символ дополнительной функции на дисплее перестанет мигать.
- Выбранные дополнительные функции выделяются на дисплее рамкой.

Дополнительная функция	Назначение	Использование	Доступна с программами:
Таймер отсрочки	Отсрочка запуска программы вплоть до 24 ч.	Нажимайте неоднократно кнопку <b>S</b> (ВЫБОР – SELECT) вплоть до получения на дисплее желаемого времени отсрочки. OFF обозначает, что отложенный старт программы не был установлен.	Со всеми программами
Отбеливание	Цикл отбеливания для удаления наиболее стойких загрязнений.	Налейте отбеливатель в дополнительную вставку 4 (см. с. 20). Опция не используется с функцией «ЛЕГКАЯ ГЛАЖКА».	2, 3, 4, 5, 6, 7, 8, 10, Полоскание.
Легкая глажка	Уменьшение степени сминаемости тканей, облегчение последующего глажения.	При выборе этой функции программы 6, 7, 8, 11 и Деликатное полоскание будут прерваны – белье остается замоченным в воде (остановка с водой), символ  будет мигать: – Чтобы завершить цикл, нажмите кнопку ПУСК/СБРОС (Start/Resert). – Чтобы закончить программу сливом установите рукоятку программатора на соответствующий символ  и нажмите кнопку ПУСК/СБРОС (Start/Resert). Данная опция не используется с функцией «ОТБЕЛИВАНИЕ».	Все программы, кроме 1, 2, 9, 10 и Слив
Супер стирка	Позволяет получить безупречно чистое белье, заметно более белое по сравнению со стандартом <i>ласса А</i> .	Опция не используется с функцией «БЫСТРАЯ СТИРКА».	1, 2, 3, 4, 5, 6, 7, 8
Быстрая стирка	Сокращает продолжительность цикла стирки примерно на 30%.	Опция не используется с функцией «СУПЕР СТИРКА».	1, 2, 3, 4, 5, 6, 7, 8
Дополнительное полоскание	Повышает эффективность полоскания.	Применение этой функции рекомендуется при полной загрузке машины или при использовании большого количества моющего средства.	1, 2, 3, 4, 5, 6, 7, 8, Полоскание.

CIS

Установка

Описание

Программы

Моющие средства

Меры безопасности

Обслуживание и уход

Неисправности

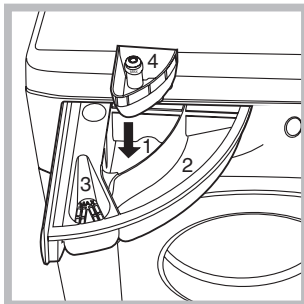
Сервис

# Моющие средства и белье

CIS

## Распределитель моющих средств

Хороший результат стирки зависит также от правильной дозировки моющего средства: его избыток не гарантирует более эффективную стирку, напротив может привести к образованию налетов внутри машины и загрязнению окружающей среды.



Выдвиньте распределитель и заполните его отделения моющим средством и смягчителем:

### Отделение 1: моющее средство для предварительной стирки (порошок)

Перед загрузкой стирального порошка убедитесь, что отделение 4 для отбеливателя в нем не установлено.

### Отделение 2: моющее средство для стирки (порошок или жидкое)

Жидкое средство для стирки заливается непосредственно перед запуском машины.

### Отделение 3: Добавки (смягчители, ароматизаторы и пр.)

Не заполняйте отделение 3 для ополаскивателей выше решетки.

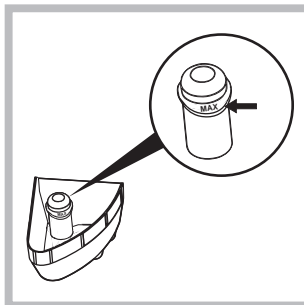
### Дополнительное отделение 4:

#### Отбеливатель и деликатный отбеливатель

! Не используйте моющие средства, предназначенные для ручной стирки – образующаяся обильная пена ухудшает результат стирки и может вывести из строя стиральную машину.

## Отбеливание

! Обычный отбеливатель применяют при стирке прочных белых тканей; **деликатный** отбеливатель можно использовать для цветных, синтетических и шерстяных тканей.



Лоток 4 для отбеливателя вставляется в отделение 1 распределителя моющих средств. Не заполняйте лоток 4 выше отметки max (см. рис.).

Для осуществления **только отбеливания** налейте отбеливатель в дополнительную вставку 4, выберите программу Полоскание

(для хлопковых тканей) или Деликатное полоскание (для синтетических тканей) и задействуйте функцию «Отбеливание» (см. с. 19). **Для отбеливания в процессе стирки** добавьте стиральный порошок и смягчитель, выберите нужную программу и задействуйте функцию «Отбеливание» (см. с. 19).

Использование дополнительной вставки 4 исключает возможность применения предварительной стирки. Кроме того, отбеливание не может быть проведено с программами 11 (Шелк) и Повседневная стирка 30 мин. (см. с. 18).

## Подготовка белья

- Разберите белье:
  - в соответствии с типом ткани / обозначения на этикетке.
  - по цвету: отделите цветное белье от белого.
- Выньте из карманов все предметы и проверьте хорошо ли держатся пуговицы.
- Не превышайте максимальные нормы загрузки барабана, указанные для сухого белья:
  - Прочные ткани: макс. 4,5 кг
  - Синтетические ткани: макс. 2,5 кг
  - Деликатные ткани: макс. 2 кг
  - Шерсть: макс. 1 кг

## Вес белья

- 1 простыня 400 – 500 г
- 1 наволочка 150 -200 г
- 1 скатерть 400 – 500 г
- 1 халат 900 –1,200 г
- 1 полотенце 150 -250 г

## Особенности стирки отдельных изделий

**Занавески:** сверните и положите в наволочку или в сетчатый мешочек. Стирайте отдельно, не превышая половины загрузки барабана. Выберите программу 11, автоматически включающую отжим.

**Стеганные куртки и пуховики:** если пуховик на утином или гусином пуху, его можно стирать в стиральной машине. Выверните куртку наизнанку, загрузите в барабан не более 2-3 кг изделий. Повторите полоскание 1-2 раза, используйте деликатный отжим.

**Парусиновые туфли:** Парусиновые туфли предварительно очистите от грязи и стирайте с прочными тканями или джинсами, если позволяет цвет. Не стирайте с белыми вещами.

**Шерсть:** Для достижения наилучших результатов стирки загружайте не более 1 кг белья и используйте специальные жидкие средства, предназначенные для стирки шерстяных изделий.

## Woolmark Platinum Care (Платиновый кашемир – деликатность ручной стирки)



Ariston установил новый стандарт высокоэффективной стирки, признанный Компанией Woolmark с престижной маркой Woolmark Platinum Care. Если на вашей стиральной машине имеется логотип Woolmark Platinum Care, в ней можно стирать с отличным результатом шерстяные изделия на этикетке которых написано «только ручная стирка» (M.0303).

Выберите программу 10 для всех изделий с этикеткой «Ручная стирка» ( ) и используйте специальные средства для стирки шерсти.

# Предупреждения и рекомендации



! Стиральная машина спроектирована и изготовлена в соответствии с международными нормами безопасности. Внимательно прочитайте настоящие предупреждения, составленные в целях вашей безопасности.

## Общие правила безопасности

- Для домашнего использования. Данное изделие является бытовым электроприбором, не предназначенным для профессионального использования. Запрещается модифицировать его функции.
- Стиральная машина должна использоваться только взрослыми лицами, соблюдающими инструкции, приведенные в данном руководстве.
- Не касайтесь работающей машины, если ваши руки или ноги сырые; не пользуйтесь оборудованием босиком.
- Не тяните за питающий кабель, чтобы вынуть вилку из розетки: беритесь за вилку.
- Не открывайте распределитель моющих средств во время работы машины.
- Не касайтесь сливаемой воды, ее температура может быть очень высокой.
- При остановке машины разблокировка замка дверцы срабатывает с трехминутной задержкой. Не пытайтесь открыть дверцу в этом промежуток времени (а тем более во время работы оборудования!): это может повредить механизм блокировки.
- В случае неисправности при любых обстоятельствах не касайтесь внутренних частей машины, пытайтесь починить ее.
- Следите, чтобы дети не приближались к работающей стиральной машине.
- В процессе стирки дверца стиральной машины может нагреваться.
- Если необходимо переместить стиральную машину, выполняйте эту операцию вдвоем или втроем с предельной осторожностью. Никогда не пытайтесь поднять машину в одиночку — оборудование чрезвычайно тяжелое.
- Перед помещением в стиральную машину белья убедитесь, чтобы барабан был пуст.

## Утилизация

- Уничтожение упаковочного материала: соблюдайте действующие требования по утилизации упаковочных материалов.

- Утилизация старой стиральной машины: перед сдачей машины в утиль обрежьте питающий кабель и снимите дверцу.

## Экономия энергии и охрана окружающей среды

### Экологичная технология

С новой технологией Ariston вы затратите воды в два раза меньше, а эффект от стирки будет в два раза выше! Вот почему вы не можете видеть воду через дверцу: ее очень мало. Это забота об окружающей среде без отказа от максимальной чистоты. И вдобавок ко всему, вы экономите электричество.

### Экономия моющих средств, воды, электроэнергии и времени

- Для экономии ресурсов следует максимально загружать стиральную машину. Один цикл стирки при полной загрузке вместо двух циклов с наполовину загруженным барабаном позволяет сэкономить до 50% электроэнергии.
- Цикл предварительной стирки необходим только для очень грязного белья. При цикле предварительной стирки расходуется больше стирального порошка, времени, воды и на 5 – 15% больше электроэнергии.
- Если вы обрабатываете пятна пятновыводителем или замочите белье перед стиркой, это поможет избежать стирки при высоких температурах. Использование программы стирки при 60°C вместо 90°C, или 40°C вместо 60°C позволяет сэкономить до 50% электроэнергии.
- Правильная дозировка стирального порошка в зависимости от жесткости воды, степени загрязнения и объема загружаемого белья помогает избежать нерационального расхода моющего средства и загрязнения окружающей среды: хотя стиральные порошки и являются биоразлагаемыми, они содержат вещества, отрицательно влияющие на экологию. Кроме того, по возможности избегайте использовать ополаскиватели.
- Использование стиральной машины утром или вечером уменьшит пиковую нагрузку на электросеть. С помощью функции «Таймер» (см. с. 19) можно запрограммировать начало стирки с вышеуказанной целью.
- Если белью должно сушиться в автоматической сушке, необходимо выбрать большую скорость отжима. Интенсивный отжим экономит время и электроэнергию при автоматической сушке.

CIS

Установка

Описание

Программы

Моющие средства

Меры безопасности

Обслуживание и уход

Неисправности

Сервис



# Обслуживание и уход

CIS

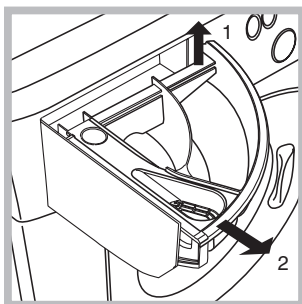
## Отключение воды и электричества

- Перекрывайте водопроводный кран после каждой стирки. Таким образом сокращается износ водопроводной системы стиральной машины и устраняется вероятность протечек.
- Всегда вынимайте вилку из розетки перед мойкой и обслуживанием машины.

## Уход за стиральной машиной

Внешние и резиновые части машины очищайте мягкой тканью с теплой мыльной водой. Не используйте растворители или абразивные чистящие средства.

## Уход за распределителем моющих средств



Периодически промывайте распределитель моющих средств. Выньте распределитель, приподняв и потянув его на себя (см. рис.), и промойте под струей воды.

## Уход за дверцей машины и барабаном

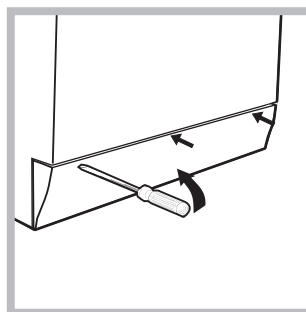
- После каждой стирки оставляйте дверцу машины полуоткрытой во избежание образования в барабане неприятных запахов и плесени.

## Чистка насоса

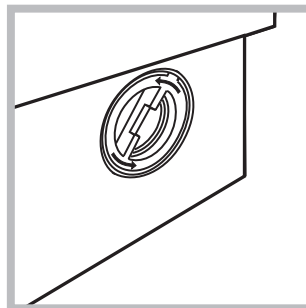
Стиральная машина имеет сливной насос самоочищающегося типа, который не требует очистки или особого обслуживания. Однако мелкие предметы (монеты, пуговицы и др.) могут случайно попасть в насос. Для их извлечения насос оборудован «уловителем» — фильтром, доступ к которому закрыт нижней передней панелью.

**!** Убедитесь, что цикл стирки закончился, и отключите оборудование от сети.

Для доступа к «уловителю»:



1. снимите переднюю панель стиральной машины при помощи отвертки (см. рис.);



2. выверните крышку фильтра, вращая ее против часовой стрелки (см. рис.): из насоса может вылиться немного воды – это нормальное явление.

3. тщательно прочистите фильтр изнутри;
4. заверните крышку обратно;
5. установите на место переднюю панель, предварительно убедившись, что крюки вошли в соответствующие петли.

## Проверка заливного шланга

Проверяйте шланг не реже одного раза в год. При любых признаках течи или повреждения немедленно замените шланг. Во время работы машины неисправный шланг, находящийся под давлением воды, может внезапно лопнуть.

**!** Никогда не используйте шланги, бывшие в употреблении.



# Неисправности и методы их устранения



В случае неудовлетворительных результатов стирки или возникновения неисправностей, прежде чем обратиться в Авторизованный Сервисный центр (см. с. 24), прочитайте этот раздел. В большинстве случаев Вы можете решить возникшие проблемы сами.


## Обнаруженная неисправность:

## Возможные причины / Методы устранения:

**Стиральная машина не включается.**

- Вилка не вставлена в розетку или вставлена плохо, не обеспечивая контакта.
- В доме отключено электричество.

**Цикл стирки не запускается.**

- Дверца машины плохо закрыта (на дисплее появляется сообщение DOOR (Дверца).
- Не была нажата кнопка .
- Не была нажата кнопка ПУСК/СБРОС (Start/Reset).
- Закрыт кран подачи воды.
- Была запрограммирована отсрочка запуска программы (об использовании таймера см. на с. 19).

**Стиральная машина не заливает воду (На дисплее появляется сообщение H<sub>2</sub>O).**

- Заливной шланг не подсоединен к крану.
- Шланг пережат.
- Закрыт кран подачи воды.
- В доме нет воды.
- Недостаточное водопроводное давление.
- Не была нажата кнопка ПУСК/СБРОС (Start/Reset).

**Стиральная машина непрерывно заливает и сливает воду.**

- Сливной шланг расположен ниже 65 или выше 100 см. от пола (см. с. 15).
  - Конец сливного шланга погружен в воду (см. с. 15).
  - Настенный слив не имеет сливной трубы.
- Если сливной шланг встроен в канализацию, имейте в виду, что на верхних этажах может создаваться «сифонный эффект» — машина одновременно сливает и заливает воду. Для предотвращения подобного эффекта устанавливается специальный клапан (антисифон).

**Стиральная машина не производит слив и отжим.**

- Выбранная программа не предусматривает слив воды — для некоторых программ необходимо включить слив вручную (см. с. 18).
- Активизирована дополнительная функция Легкая глажка: для завершения программы нажмите кнопку ПУСК/СБРОС (Start/Reset) (см. с. 19).
- Сливной шланг пережат (см. с. 15) или засорен.
- Засор в канализации.

**Сильная вибрация при отжиге.**

- При установке стиральной машины барабан был разблокирован неправильно (см. с. 14).
- Стиральная машина плохо выровнена (см. с. 14).
- Зазор между машиной и стеной/мебелью недостаточен (см. с. 14).

**Протечки воды из стиральной машины.**

- Плохо закреплен заливной шланг (гайка на конце шланга неплотно затянута и неправильно установлена прокладка (см. с. 14).
- Распределитель моющих средств забит остатками моющих средств (о чистке распределителя см. с. 22).
- Плохо закреплен сливной шланг (см. с. 15).

**Избыточное пенообразование.**

- Используется моющее средство, неподходящее для автоматических стиральных машин с фронтальной загрузкой.
- Передозировка моющего средства.

Если после проверки машина продолжает работать не должным образом, обратитесь в **Авторизованный Сервисный центр** за помощью. (см. с. 24)

CIS

Установка

Описание

Программы

Моющие средства

Меры безопасности

Обслуживание и уход

Неисправности

Сервис

# Сервисное обслуживание

CIS

## **Перед тем как обратиться в Авторизованный Сервисный центр:**

- Убедитесь, что вы не можете устранить неисправность самостоятельно (см. с. 23).
- Запустите программу повторно для проверки исправности машины.
- В противном случае обратитесь в Авторизованный Сервисный центр по телефону, указанному в гарантийном документе.

**!** *Не пользуйтесь услугами лиц, не уполномоченных Производителем.  
При ремонте требуйте использования оригинальных запасных частей.*

## **При обращении в Авторизованный Сервисный центр сообщите:**

- тип неисправности;
- номер гарантийного документа (сервисной книжки, сервисного сертификата и т.п.);
- модель машины (Мод.) и серийный номер (S/N), указанные в информационной табличке, расположенной на задней панели стиральной машины.

Сервис

### **INHALTSVERZEICHNIS**

#### **Installation, 26-27**

Auspacken und Aufstellen, 26  
Wasser- und Elektroanschlüsse, 26-27  
Erster Waschgang, 27  
Technische Daten, 27

#### **Beschreibung des Waschvollautomaten, 28-29**

Schalterblende, 28  
Display, 29

#### **Inbetriebnahme und Programme, 30**

Kurz zusammengefasst: Waschprogramm starten, 30  
Programmtabelle, 30

#### **Individualisierungen, 31**

Einstellen der Temperatur, 31  
Einstellen der Schleuder, 31  
Optionen, 31

#### **Waschmittel und Wäsche, 32**

Waschmittelschublade, 32  
Bleichen, 32  
Vorsortieren der Wäsche, 32  
Besondere Wäscheteile, 32  
Woolmark Platinum Care, 32

#### **Vorsichtsmaßnahmen und Hinweise, 33**

Allgemeine Sicherheit, 33  
Entsorgung, 33  
Energie sparen und Umwelt schonen, 33

#### **Reinigung und Pflege, 34**

Wasser- und Stromversorgung abstellen, 34  
Reinigung des Gerätes, 34  
Reinigung der Waschmittelschublade, 34  
Pflege der Gerätetür und Trommel, 34  
Reinigung der Pumpe, 34  
Kontrolle des Wasserzulaufschlauchs, 34

#### **Störungen und Abhilfe, 35**

#### **Kundendienst, 36**

Bevor Sie sich an den Kundendienst wenden, 36

# Installation

DE

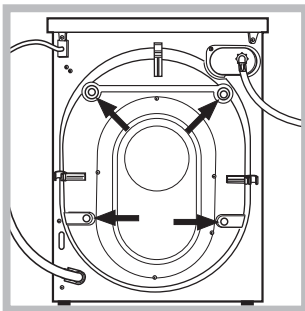
! Es ist äußerst wichtig, diese Bedienungsanleitung sorgfältig aufzubewahren, um sie jederzeit zu Rate ziehen zu können. Sorgen Sie dafür, dass sie im Falle eines Umzugs oder Übergabe an einen anderen Benutzer das Gerät stets begleitet, damit auch der neue Inhaber die Möglichkeit hat, diese zu Rate zu ziehen.

! Lesen Sie bitte folgende Hinweise aufmerksam durch, sie liefern wichtige Informationen hinsichtlich der Installation, dem Gebrauch und der Sicherheit.

## Auspacken und Aufstellen

### Auspacken

1. Gerät auspacken.
2. Sicherstellen, dass der Waschvollautomat keine Transportschäden erlitten hat. Im Falle einer Beschädigung Gerät bitte nicht anschließen, sondern den Kundendienst anfordern.



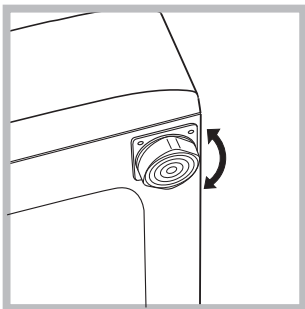
3. Die vier Transportschutzschrauben ausschrauben und das an der Rückwand befindliche Gummiteil nebst entsprechendem Distanzstück abnehmen (siehe Abbildung).

4. Die Löcher mittels der mitgelieferten Kunststoffstöpsel schließen.
5. Sämtliche Teile aufbewahren: Sollte der Waschvollautomat erneut transportiert werden müssen, müssen diese Teile wieder eingesetzt werden.

! Verpackungsmaterial ist kein Spielzeug für Kinder

### Standfläche

1. Der Waschvollautomat muss auf einem ebenen, festen Untergrund aufgestellt werden, ohne ihn an Wände, Möbelteile oder ähnliches anzulehnen.

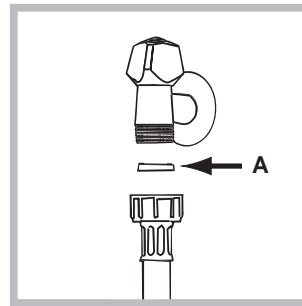


2. Sollte der Boden nicht perfekt eben sein, müssen die Unebenheiten durch An- bzw. Ausdrehen der vorderen Stellfüße ausgeglichen werden (siehe Abbildung), der auf der Arbeitsfläche zu ermittelnde Neigungsgrad darf 2° nicht überschreiten.

Eine präzise Nivellierung verleiht dem Gerät die erforderliche Stabilität, durch die Vibrationen, Betriebsgeräusche und ein Verrücken des Gerätes vermieden werden. Bei Teppichböden müssen die Stellfüße so reguliert werden, dass ein ausreichender Freiraum zur Belüftung unter dem Waschvollautomaten gewährleistet ist.

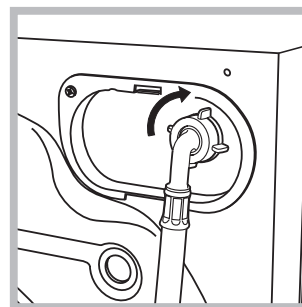
## Wasser- und Elektroanschlüsse

### Anschluss des Zulaufschlauches



1. Legen Sie die Gummidichtung A in das Anschlussstück des Zulaufschlauches ein und drehen Sie dieses an einen mit Gewindeanschluss von  $\frac{3}{4}$  G versehenen Kaltwasserhahn (siehe Abbildung). Lassen Sie das Wasser

vor dem Anschluss so lange auslaufen, bis klares Wasser austritt.



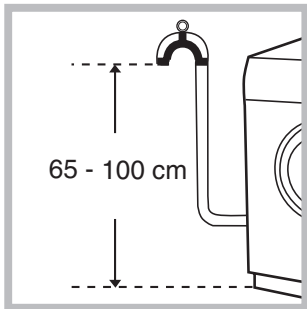
2. Schließen Sie das andere Ende des Schlauches an den oben rechts am Rückteil des Waschvollautomaten befindlichen Wasseranschluss an (siehe Abbildung).

3. Der Schlauch darf hierbei nicht eingeklemmt oder abgeknickt werden.

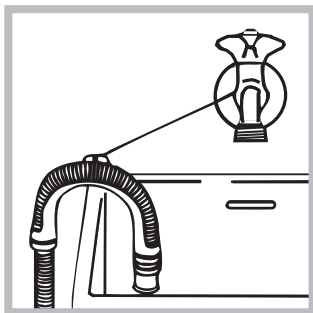
! Der Wasserdruck muss innerhalb der Werte liegen, die in der Tabelle der Technischen Daten angegeben sind (siehe nebenstehende Seite).

! Sollte der Zulaufschlauch nicht lang genug sein, dann wenden Sie sich bitte an einen Fachhändler oder an einen autorisierten Fachmann.

### Anschluss des Ablaufschlauches



Schließen Sie den Ablaufschlauch, ohne ihn dabei zu krümmen, an eine Ablaufleitung, oder an einen in der Wand in einer Mindesthöhe von 65 - 100 cm angelegten Ablauf an;



oder hängen Sie ihn in ein Becken oder eine Wanne ein; befestigen Sie ihn in diesem Falle mittels der mitgelieferten Führung an dem Wasserhahn (siehe Abbildung). Das freie Ablaufschlauchende darf nicht unter Wasser bleiben.

! Verlängerungsschläuche sollten nicht eingesetzt werden, sollte dies jedoch absolut unvermeidlich sein, muss die Verlängerung denselben Durchmesser des Originalschlauchs aufweisen und 150 cm nicht überschreiten.

### Elektronanschluss

Vor Einfügen des Steckers in die Steckdose ist sicherzustellen, dass:

- die Steckdose über eine normgerechte Erdung verfügt;
- die Steckdose die in nebenstehender Datentabelle angegebene Höchstlast des Gerätes trägt;
- die Stromspannung den in nebenstehender Datentabelle aufgeführten Werten entspricht;
- der Stecker in die Steckdose passt. Andernfalls muss der Stecker (oder die Steckdose) ersetzt werden.

! Der Waschvollautomat darf nicht im Freien installiert werden, auch nicht, wenn es sich um einen geschützten Platz handelt. Es ist gefährlich, Ihren Vollwaschautomaten Gewittern und Unwettern auszusetzen.

! Die Steckdose sollte nach installiertem Gerät leicht zugänglich sein.

! Verwenden Sie bitte keine Verlängerungen oder Mehrfachstecker.

! Das Kabel darf nicht gebogen bzw. eingeklemmt werden.



! Das Versorgungskabel darf nur durch autorisierte Fachkräfte ausgetauscht werden.

Achtung! Der Hersteller weist jede Haftung zurück, falls diese Vorschriften nicht eingehalten werden sollten.

### Erster Waschgang

Lassen Sie nach der Installation bzw. vor erstmaligem Gebrauch erst einen Waschgang (mit Waschmittel) ohne Wäsche durchlaufen. Stellen Sie hierzu das 90°C-Waschprogramm ohne Vorwäsche ein.

### Technische Daten

<b>Modell</b>	AVSD 109
<b>Abmessungen</b>	Breite 59,5 cm Höhe 85 cm Tiefe 40 cm
<b>Fassungsvermögen</b>	1 bis 4,5 kg
<b>Elektroanschlüsse</b>	Spannung 220/230 Volt 50 Hz max. Leistungsaufnahme 1850 W
<b>Wasseranschlüsse</b>	Höchstdruck 1 MPa (10 bar) Minstdruck 0,05 MPa (0,5 bar) Trommelvolumen 40 Liter
<b>Schleudertouren</b>	bis zu 1000 U/min.
<b>Prüfprogramme gemäß IEC456</b>	Programm 3; Temperatur 60°C; bei einer Lademenge von 4,5 kg.
 	Dieses Gerät entspricht den folgenden EG-Richtlinien: - 73/23/EWG vom 19.02.73 (Niederspannung) und nachfolgenden Änderungen - 89/336/EWG vom 03.05.89 (elektromagnetische Verträglichkeit) und nachfolgenden Änderungen - 2002/96/CE

DE

Installation

Beschreibung

Waschprogramme

Waschmittel

Vorsichtsmaßnahmen

Wartung und Pflege

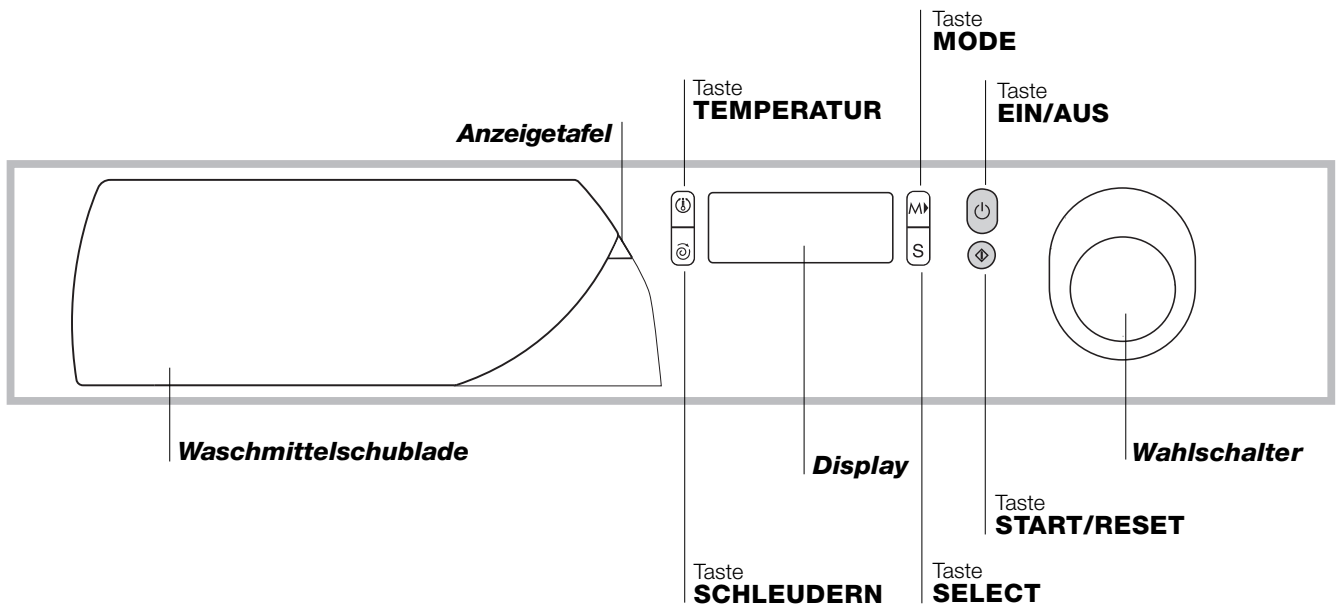
Störungen

Kundendienst

# Beschreibung des Waschvollautomaten

## Schalterblende

DE



**Waschmittelschublade** für Waschmittel und Zusätze (siehe Seite 32).

**Anzeigetafel** die zu jeder Zeit einen klaren Überblick über die möglichen Programme gewährleistet. Ganz einfach an der grauen Zunge herausziehen.

Taste **"TEMPERATUR"** zur Änderung der Waschttemperaturen (siehe Seite 31).

Taste **"SCHLEUDERN"** zur Geschwindigkeitsregelung oder gänzlichen Ausschaltung der Schleuder (siehe Seite 31).

**Display** zur Programmierung des Waschvollautomaten und Ansicht des Programmablaufs (siehe nebenstehende Seite).

Taste **"MODE"** zur Wahl der Individualisierungsoptionen (siehe Seite 31).

Taste **"SELECT"** zur Einstellung der Individualisierungsoptionen (siehe Seite 31).

Taste **"EIN/AUS"** zur Ein- und Ausschaltung des Waschvollautomaten

Taste **"START/RESET"** um die Programme zu starten bzw. zu löschen, falls unkorrekt eingestellt.

**Wahlschalter** zur Programmwahl Die Wahlschalter sind flächenbündig angebracht: Durch leichten Druck auf die Knopfmitte können Sie herausgezogen werden. Während des Programmablaufs bleibt der Schalter feststehend.

## Display

Das Display ist nicht nur ein praktisches Mittel zur Programmierung des Gerätes (siehe Seite 31), es liefert auch Informationen über den Waschgang und seinen Ablauf.



Nach Drücken der Taste START/RESET, durch das das Waschprogramm in Gang gesetzt wird, wird auf dem Display die bis zum Ende des Waschgangs noch verbleibende Zeit angezeigt. Sollte ein zeitverschobener Start eingestellt worden sein (Delay Timer, siehe Seite 31), dann wird dies auf dem Display angezeigt.



Während des Waschgangs wird Folgendes angezeigt:

### Laufende Programmphase:

- |             |                     |
|-------------|---------------------|
| Vorwäsche   | Schleudern          |
| Hauptwäsche |                     |
| Spülen      | Symbol nicht aktiv. |



### Gewählte Gewebeat:

- |             |       |
|-------------|-------|
| Baumwolle   | Wolle |
| Buntwäsche  | Seide |
| Kunstfasern |       |



### Individualisierungs-Optionen:

Die aktiven Optionen sind durch eine Viereck-Umrahmung gekennzeichnet. Zur Wahl dieser Optionen siehe Seite 31.

- Option nicht aktiv.

### Füllfenstersicherung:

Durch Leuchten des Symbols meldet das Gerät, dass das Füllfenster gesperrt ist, um ein versehentliches Öffnen zu vermeiden. Warten Sie bitten, bis das Symbol erlischt, um eine evtl. Beschädigung des Fensters zu vermeiden. Dieses Modell ist mit einer Vorrichtung ausgestattet, dank derer das Füllfenster während der ersten Programmphase noch geöffnet werden kann. Dies ist möglich, wenn das Symbol nicht eingeschaltet ist.

Nach Ablauf des gesamten Waschprogramms erscheint die Anzeige END.

! Im Falle eventueller Anomalien wird ein Fehlercode eingeblendet, wie zum Beispiel: F-01, der dem Kundendienst zu übermitteln ist (siehe Seite 36).

DE

Installation

Beschreibung

Waschprogramme

Waschmittel

Vorsichtsmaßnahmen

Wartung und Pflege

Störungen


Kundendienst




# Inbetriebnahme und Programme




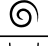

DE

## Kurz zusammengefasst: Waschprogramm starten

1. Maschine durch Drücken der Taste  einschalten.
2. Wäsche einfüllen und Füllfenster schließen.
3. Das gewünschte Programm mittels des Wahlschalters einstellen. Auf dem Display wird die voraussichtliche Programmdauer angezeigt. Temperatur und Schleuder werden je nach gewähltem Programm automatisch eingestellt (evtl. Änderung siehe Seite 31).

4. Waschmittel und Zusätze einfüllen (siehe Seite 32).
5. Programm durch Druck auf die Taste START/RESET in Gang setzen.  
Um dieses zu löschen, Taste START/RESET für mindestens 2 Sekunden gedrückt halten.
6. Bei Programmabschluss erscheint die Anzeige END. Wäsche herausnehmen und Füllfenster leicht offenstehen lassen, damit die Trommel trocknen kann.
7. Maschine durch Drücken der Taste  ausschalten.

## Programmtabelle

Gewebeart und Verschmutzungsgrad	Waschprogramme	Temperatur	Waschmittel		Weichmacher	Option Flecken/Bleichmittel	Programmdauer (Minuten)	Beschreibung des Waschprogramms
			Vorw.	Hauptw.				
<b>Baumwolle</b>								
Stark verschmutzte Kochwäsche (Bettücher, Tischdecken usw.)	1	90°C	•	•	•		137	Vorwäsche, Hauptwäsche, Spülen, Zwischen- und Endschleudern
Stark verschmutzte Kochwäsche (Bettücher, Tischdecken usw.)	2	90°C		•	•	Mildes/Normales	120	Hauptwäsche, Spülen, Zwischen- und Endschleudern
Widerstandsfähige, stark verschmutzte Weiß- und Buntwäsche	3	60°C		•	•	Mildes/Normales	105	Hauptwäsche, Spülen, Zwischen- und Endschleudern
Leicht verschmutzte Weißwäsche und empfindliche Buntwäsche (Oberhemden, Maschenware usw.)	4	40°C		•	•	Mildes/Normales	72	Hauptwäsche, Spülen, Zwischen- und Endschleudern
Leicht verschmutzte empfindliche Buntwäsche	5	30°C		•	•	Mildes/Normales	65	Hauptwäsche, Spülen, Zwischen- und Endschleudern
<b>Synthetik</b>								
Stark verschmutzte, farbechte Buntwäsche (Babywäsche usw.)	6	60°C		•	•	Mildes	77	Hauptwäsche, Spülen, Knitterschutz oder sanftes Schleudern
Waschechte Farben (leicht verschmutzte Wäsche jeder Art).	6	40°C		•	•	Mildes	62	Hauptwäsche, Spülen, Knitterschutz oder sanftes Schleudern
Stark verschmutzte, farbechte Buntwäsche (Babywäsche usw.)	7	50°C		•	•	Mildes	73	Hauptwäsche, Spülen, Knitterschutz oder sanftes Schleudern
Zarte Farben (leicht verschmutzte Wäsche jeder Art).	8	40°C		•	•	Mildes	58	Hauptwäsche, Spülen, Knitterschutz oder sanftes Schleudern
Zarte Farben (leicht verschmutzte Wäsche jeder Art).	9	30°C		•	•		30	Hauptwäsche, Spülen und sanftes Schleudern
<b>Wolle/Seide</b>								
Wolle	10	40°C		•	•	Mildes	50	Hauptwäsche, Spülen und sanftes Schleudern
Sehr zarte Feinwäsche (Gardinen, Seide, Viskose, usw.)	11	30°C		•	•		45	Hauptwäsche, Spülen, Knitterschutz oder Wasser abpumpen
<b>TEILPROGRAMME</b>								
Spülen					•	•		Spülen und Schleudern
Sanftes Spülen					•	•		Spülen, Knitterschutz oder Abpumpen
Schleudern								Abpumpen und energisches Schleudern
Sanftes Schleudern								Abpumpen und sanftes Schleudern
Abpumpen								Abpumpen

## Anmerkungen

Zum Knitterschutz: siehe "Bügelleicht", auf *nebenstehender Seite*. Bei den in der Tabelle aufgeführten Daten handelt es sich um Richtwerte.

## Spezialprogramm

*Kurzprogramm 30'* (Programm 9 für Kunstfasern) Kurzprogramm für die tägliche Wäsche leicht verschmutzter Teile: in nur 30 Minuten, zur Einsparung von Zeit und Energie. Stellen Sie dieses Waschprogramm (9 bei 30°C) ein, dann können, bei einer maximalen Lademenge von 3 kg, Gewebe unterschiedlicher Art (mit Ausnahme von Wolle und Seide) zusammen gewaschen werden. *Es ist ratsam, flüssige Waschmittel einzusetzen.*



## Einstellen der Temperatur

Durch Druck auf die Taste wird die für das eingestellte Programm maximal zulässige Temperatur angezeigt. Diese kann durch Drücken der Taste herabgesetzt werden. Auf Einstellung OFF wird die Wäsche kalt gewaschen. Obiges gilt für alle Waschprogramme.



## Einstellen der Schleuder

Durch Druck auf die Taste wird die für das eingestellte Programm maximal zulässige Schleudergeschwindigkeit angezeigt. Durch Drücken dieser Taste können die Werte bis auf OFF (Ausschließen der Schleuder) herabgesetzt werden. (Taste erneut Drücken, um zu dem höchstem Wert zurückzukehren.). Das Ausschließen der Schleuder wird durch das Symbol angezeigt. Obiges gilt für alle Programme mit Ausnahme des Programms 11 und Abpumpen.



## Optionen

Die verschiedenen Waschoptionen, die Ihnen Ihr Waschvollautomat bietet, ermöglichen es Ihnen, hygienisch saubere und weiße Wäsche, zu erhalten, die Ihren Wünschen entspricht. Zur Wahl der verschiedenen Optionen gehen Sie stets wie folgt vor:

- Mit der Taste MODE können die verschiedenen Optionen eingesehen werden, das aktive Symbol schaltet auf Blinklicht.
- Zur Wahl einer Option drücken Sie die Taste SELECT, bis auf dem Display die Anzeige ON erscheint (für Delay Timer dagegen die Zeit: siehe untenstehende Tabelle).
- Zur Bestätigung der Wahl drücken Sie erneut die Taste MODE: das Symbol der Option blinkt nun nicht mehr. Die gewählten Optionen sind klar ersichtlich, da das jeweilige Symbol auf dem Display durch eine viereckige Umrahmung gekennzeichnet ist.

Optionen	Wirkung	Anleitungen zur Anwendung	Aktiv mit den Programmen:
 <b>Delay Timer (Startvorwahl)</b>	Start kann bis zu 24 Std. verschoben werden.	<b>S</b> (Taste SELECT) mehrmals drücken bis die gewünschten Stunden eingeblendet werden. OFF = keine Verschiebung eingestellt.	Alle
 <b>Bleichen</b>	Bleichzyklus, zur Entfernung auch hartnäckigster Flecken.	Vergessen Sie nicht, dass das Bleichmittel in die Zusatzkammer 4 eingegeben werden muss (siehe Seite 32). Nicht vereinbar mit der Option BÜGELLEICHT.	2, 3, 4, 5, 6, 7, 8, 10, Spülen.
 <b>Bügelleicht</b>	Reduziert die Knitterbildung und erleichtert so das Bügeln.	Bei dieser Option werden die Programme 6, 7, 8, 11 und Sanftes Spülen unterbrochen, das Wasser wird nicht abgepumpt, die Wäsche bleibt im Wasser liegen (Knitterschutz), das Symbol  blinkt: - um den Waschgang zu beenden, Taste START/RESET drücken; - nur das Wasser abpumpen: Knopf auf das entsprechende Symbol  drehen und die Taste START/RESET drücken. Nicht vereinbar mit der Option BLEICHEN.	Alle, mit Ausnahme 1, 2, 9, 10, Abpumpen.
 <b>Super Wash</b>	Für einwandfrei saubere, sichtbar weißere Wäsche des Klasse A-Standards.	Nicht vereinbar mit der Funktion KURZ.	1, 2, 3, 4, 5, 6, 7, 8
 <b>Kurz</b>	Verkürzt die Dauer des Waschvorgangs um ca. 30%.	Nicht vereinbar mit der Option SUPER WASH.	1, 2, 3, 4, 5, 6, 7, 8
 <b>Extra spülen</b>	Erhöht die Wirksamkeit des Spülgangs.	Empfehlenswert bei voller Gerätebeladung und hoher Waschmitteldosierung.	1, 2, 3, 4, 5, 6, 7, 8, Spülen.

DE

Installation

Beschreibung

Waschprogramme

Waschmittel

Vorsichtsmaßnahmen

Wartung und Pflege

Störungen

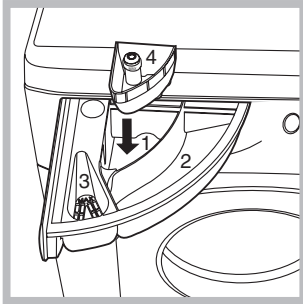
Kundendienst

# Waschmittel und Wäsche

DE

## Waschmittelschublade

Ein gutes Waschergebnis hängt auch von einer korrekten Waschmitteldosierung ab: Eine zu hohe Dosierung bedeutet nicht unbedingt reinere Wäsche, sie trägt nur dazu bei, die Maschineninnenteile zu verkrusten und die Umwelt zu belasten.



Schublade herausziehen und Waschmittel oder Zusätze wie folgt einfüllen:

### In Kammer 1: Waschpulver für die Vorwäsche (kein Flüssigwaschmittel)

Vergewissern Sie sich vor Einfüllen des Waschmittels, dass die Zusatzkammer 4 nicht eingesetzt wurde.

### In Kammer 2: Waschmittel für die Hauptwäsche (Waschpulver oder Flüssigwaschmittel)

Flüssigwaschmittel nur kurz vor dem Start einfüllen.

### In Kammer 3: Zusätze (Weichspüler usw.)

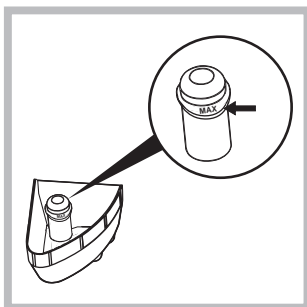
Der Weichspüler darf das Gitter nicht übersteigen.

### Zusätzliche Kammer 4: Bleichmittel


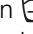
! Verwenden Sie keine Handwaschmittel, sie verursachen eine zu hohe Schaumbildung.

## Bleichen

! **Normale** Bleichmittel sind für strapazierfähige Weißwäsche zu verwenden, **milde** Bleichmittel dagegen für Buntwäsche, Feinwäsche und Wolle.



Mitgelieferte, zusätzliche Kammer 4 in Kammer 1 einsetzen. Bei der Dosierung des Bleichmittels darf der auf dem Zentralstift mit "max" gekennzeichnete Höchststand (siehe Abbildung) nicht überschritten werden.

Soll nur ein Bleichzyklus allein durchgeführt werden, dann geben Sie das Bleichmittel in die zusätzliche Kammer 4, stellen Sie die Funktion Spülen  (für Baumwollgewebe) oder die Funktion Sanftes Spülen  (für Feinwäsche) ein und schalten die Option Bleichen hinzu (siehe Seite 31). Um während des Waschgangs zu bleichen, geben Sie das Waschmittel und die Zusätze ein; wählen das gewünschte Programm und schalten die Option Bleichen hinzu (siehe Seite 31).

Die Verwendung der zusätzlichen Kammer 4 schließt die Vorwäsche aus. Ein solcher Bleichzyklus kann zu den Programmen 11 (Seide) und Kurzprogramm 30' (siehe Seite 30) nicht zugeschaltet werden.

## Vorsortieren der Wäsche

- Sortieren Sie die Wäsche nach:
  - Gewebeat / Waschetikettensymbol
  - und Farben: Buntwäsche von Weißwäsche trennen.
- Entleeren Sie alle Taschen.
- Das angegebene Gewicht, das sich auf die maximale Ladung an Trockenwäsche bezieht, sollte nicht überschritten werden:
  - Widerstandsfähige Gewebe: max 4,5 kg
  - Kunstfasergewebe: max 2,5 kg
  - Feinwäsche: max 2 kg
  - Wolle: max 1 kg

## Wie schwer ist Wäsche?

- 1 Bettuch 400-500 gr
- 1 Kissenbezug 150-200 gr
- 1 Tischdecke 400-500 gr
- 1 Bademantel 900-1.200 gr
- 1 Handtuch 150-250 gr

## Besondere Wäscheteile

**Gardinen:** Gardinen zusammengefasst in einem Kissenbezug oder in einem netzartigen Beutel waschen. Waschen Sie diese allein, ohne das Gesamtgewicht für halbe Füllung zu übersteigen. Stellen Sie das Programm 11 ein, das ein automatisches Ausschließen der Schleuder vorsieht.

**Skijacken und Anoraks:** Sind diese mit Gänse- oder Daunenfedern gefüttert, können sie im Waschvollautomaten gewaschen werden. Ziehen Sie die Teile auf links, achten Sie auf eine maximale Beladung von 2/3 kg, wiederholen Sie 2/3 Spülgänge und stellen Sie die Schleuder auf Schonschleudern ein.

**Tennisschuhe:** Entfernen Sie Schlammreste. Tennisschuhe können zusammen mit Jeans oder sonstigen widerstandsfähigen Teilen, nicht jedoch mit Weißwäsche, gewaschen werden.

**Wolle:** Verwenden Sie Spezialwaschmittel; Lademenge von 1 kg bitte nicht überziehen.

## Woolmark Platinum Care



### Schonend wie Waschen von Hand.

Ariston hat einen neuen Standard hochwertiger Leistungen geschaffen, der von The Woolmark Company mit dem prestigevollen Warenzeichen Woolmark Platinum Care zugelassen wurde. Befindet sich auf Ihrem Waschvollautomaten das Logo Woolmark Platinum Care, können Teile aus Schurwolle, die mit dem Pflegeetikett "Handwäsche" ausgezeichnet sind, darin gewaschen werden (M.0303):



Verwenden Sie für alle mit "Handwäsche" ausgezeichneten Teile das Programm 10 und Spezialwaschmittel.

# Vorsichtsmaßnahmen und Hinweise

! Der Waschvollautomat wurde nach den strengsten internationalen Sicherheitsvorschriften entworfen und gebaut. Nachstehende Hinweise werden aus Sicherheitsgründen geliefert und sollten aufmerksam gelesen werden.

## Allgemeine Sicherheit

- Dieses Gerät wurde für den nicht professionellen Einsatz im privaten Haushalt konzipiert und seine Funktionen dürfen nicht verändert werden.
- Der Waschvollautomat darf nur von Erwachsenen und gemäß den Anleitungen dieses Handbuchs bedient werden.
- Berühren Sie das Gerät nicht, wenn Sie barfuß sind, und auch nicht mit nassen oder feuchten Händen oder Füßen.
- Ziehen Sie den Gerätestecker nicht am Kabel aus der Steckdose, sondern nur am Stecker selbst.
- Öffnen Sie die Waschmittelschublade nicht, wenn das Gerät in Betrieb ist.
- Berühren Sie nicht das Ablaufwasser, es kann sehr heiß sein.
- Öffnen Sie das Füllfenster nicht mit Gewalt: Der Sicherheits-Schließmechanismus könnte hierdurch beschädigt werden.
- Bei etwaigen Störungen versuchen Sie bitte nicht, Innenteile selbst zu reparieren.
- Halten Sie Kinder stets von dem in Betrieb befindlichen Gerät fern.
- Während des Waschganges kann das Füllfenster sehr heiß werden.
- Muss der Waschvollautomat versetzt werden, sollten hierfür mindestens 2/3 Personen verfügbar sein. (Vorsichtig vorgehen). Versuchen Sie es niemals allein, das Gerät ist äußerst schwer.
- Vergewissern Sie sich, dass die Trommel völlig leer ist, bevor Sie die Wäsche einfüllen.

## Entsorgung

- Entsorgung des Verpackungsmaterials: Befolgen Sie die lokalen Vorschriften, Verpackungsmaterial kann wiederverwertet werden.
- Gemäß der Europäischen Richtlinie 2002/96/EC über Elektro- und Elektronik-Altgeräte dürfen Elektrohaushalts-Altgeräte nicht über den herkömmlichen Haushaltsmüllkreislauf entsorgt werden. Altgeräte müssen separat gesammelt werden, um die Wiederverwertung und das Recycling der beinhaltenen Materialien zu optimieren und die Einflüsse auf die Umwelt und die Gesundheit zu reduzieren. Das Symbol „durchgestrichene Mülltonne“ auf jedem Produkt erinnert Sie an Ihre

Verpflichtung, dass Elektrohaushaltsgeräte gesondert entsorgt werden müssen.

Endverbraucher können sich an Abfallämter der Gemeinden wenden, um mehr Informationen über die korrekte Entsorgung ihrer Elektrohaushaltsgeräte zu erhalten.

## Energie sparen und Umwelt schonen

### Technologie im Dienste der Umwelt

Glauben Sie, durch das Füllfenster hindurch wenig Wasser zu sehen? Dank der neuen Ariston-Technik genügt die halbe Wassermenge für eine maximale Sauberkeit: eine Maßnahme die zum Schutze der Umwelt angestrebt wurde.

### Waschmittel, Wasser, Energie und Zeit sparen

- Verschwendung von Strom, Wasser, Waschmittel und Zeit kann man vermeiden, indem man die Waschmaschine mit der empfohlenen Höchstwäschemenge benutzt. Bei einer vollen Auslastung Ihres Waschvollautomaten können Sie bis zu 50% Energie sparen.
- Vorwäsche ist nur bei stark verschmutzter Wäsche erforderlich. Durch Vermeidung einer solchen kann Waschmittel, Zeit, Wasser und 5-15% Energie gespart werden.
- Flecken sollten mit einem Fleckenmittel vorbehandelt werden, oder weichen Sie die Wäsche vor der Wäsche ein. Hierdurch können hohe Waschttemperaturen vermieden werden. Ein 60°C-Programm anstelle eines 90°C-Programms, oder ein 40°C-Programm anstelle eines 60°C-Programms hilft bis zu 50% Energie zu sparen.
- Dosieren Sie Waschmittel sparsam je nach Wasserhärte, Verschmutzungsgrad und Wäschemenge, um die Umwelt nicht über Gebühr zu belasten: obwohl sie biologisch abbaubar sind, beinhalten Sie dennoch Stoffe, die die Umwelt belasten. Auch Weichmacher sollten höchst sparsam eingesetzt werden.
- Waschen Sie am späten Nachmittag oder in den ersten Morgenstunden, hierdurch tragen sie dazu bei, die Belastung der Elektrizitätswerke zu mindern. Die Option ‚Delay Timer‘ (siehe Seite 31) hilft Ihnen in dieser Hinsicht außerordentlich.
- Soll die Wäsche in einem Wäschetrockner getrocknet werden, dann stellen Sie eine hohe Schleudergeschwindigkeit ein. Je trockener die Wäsche geschleudert wird, desto niedriger ist der zum Trocknen erforderliche Energieverbrauch.

DE

Installation

Beschreibung

Waschprogramme

Waschmittel

Vorsichtsmaßnahmen

Wartung und Pflege

Störungen

Kundendienst

# Reinigung und Pflege

DE

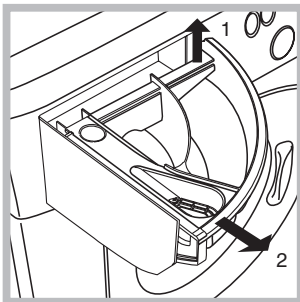
## Wasser- und Stromversorgung abstellen

- Wasserhahn nach jedem Waschvorgang zudrehen. Hierdurch wird der Verschleiß der Wasseranlage verringert und Wasserlecks vorgebeugt.
- Ziehen Sie den Stecker aus der Steckdose, bevor Sie Ihren Waschvollautomaten reinigen.

## Reinigung des Gerätes

Die Gehäuseteile und die Teile aus Gummi können mit einem mit warmer Spülmittellauge angefeuchteten Tuch gereinigt werden. Vermeiden Sie Löse- und Scheuermittel.

## Reinigung der Waschmittelschublade



Heben Sie die Schublade leicht an und ziehen Sie sie nach vorne hin heraus (siehe Abbildung). Spülen Sie diese regelmäßig unter fließendem Wasser gründlich aus.

## Pflege der Gerätetür und Trommel

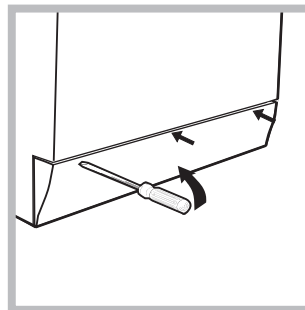
- Lassen Sie die Füllfenstertür stets leicht offen stehen, um die Bildung unangenehmer Gerüche zu vermeiden.

## Reinigung der Pumpe

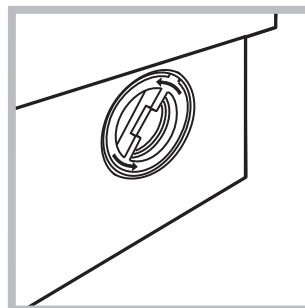
Ihr Gerät ist mit einer selbstreinigenden Pumpe ausgerüstet, eine Wartung ist demnach nicht erforderlich. Es könnte doch einmal vorkommen, dass kleine Gegenstände (Münzen, Knöpfe) in die zum Schutz der Pumpe dienende Vorkammer (befindlich unter der Pumpe) fallen. ! Vergewissern Sie sich, dass der Waschgang abgeschlossen ist und ziehen Sie den Stecker heraus.

! Vergewissern Sie sich, dass der Waschgang abgeschlossen ist und ziehen Sie den Stecker heraus.

Zugang zur Vorkammer:



1. Die Abdeckung (befindlich an der Gerätefront) mit Hilfe eines Schraubenziehers abnehmen (siehe Abbildung);



2. den Deckel gegen den Uhrzeigersinn abdrehen (siehe Abbildung): es ist ganz normal, wenn etwas Wasser austritt;

3. das Innere gründlich reinigen;
4. den Deckel wieder aufschrauben;
5. die Abdeckung wieder anbringen. Stellen Sie hierbei sicher, dass die Haken in die Schlitze eingreifen, bevor Sie die Abdeckung fest andrücken.

## Kontrolle des Wasserzulaufschlauchs

Kontrollieren Sie den Zulaufschlauch mindestens einmal im Jahr. Weist er Risse bzw. Brüche auf, muss er ausgetauscht werden. Der starke Druck während des Waschprogramms könnte zu plötzlichem Platzen führen.

! Verwenden Sie niemals bereits gebrauchte Schläuche.

Es kann immer einmal vorkommen, dass Ihr Waschvollautomat nicht funktioniert. Bevor Sie sich an den Technischen Kundendienst wenden (*siehe Seite 36*), vergewissern Sie sich zuerst, ob es sich nicht um eine Kleinigkeit handelt, die Sie selbst beheben können. Ziehen Sie hierzu nachstehendes Verzeichnis zu Rate.

## Störungen:

**Der Waschvollautomat schaltet sich nicht ein.**

**Der Waschgang startet nicht.**

**Der Waschvollautomat lädt kein Wasser (Auf dem Display ist die Anzeige H<sub>2</sub>O eingeblendet).**

**Der Waschvollautomat lädt laufend Wasser und pumpt es laufend ab.**

**Der Waschvollautomat pumpt nicht ab und schleudert nicht.**

**Der Waschvollautomat vibriert zu stark während des Schleuderns.**

**Der Waschvollautomat ist undicht.**

**Es bildet sich zu viel Schaum.**

## Mögliche Ursachen / Lösungen:

- Der Stecker steckt nicht in der Steckdose, oder nicht so, dass der Kontakt hergestellt wird.
- Der Strom ist ausgefallen.
- Das Füllfenster ist nicht richtig geschlossen (Display-Anzeige: DOOR).
- Die Taste  wurde nicht gedrückt.
- Die Taste STARTRESET wurde nicht gedrückt.
- Der Wasserhahn ist nicht auf.
- Es wurde ein verzögerter Start gewählt (Delay Timer, *siehe Seite 31*).
- Der Zufuhrschlauch ist nicht am Wasserhahn angeschlossen.
- Der Schlauch ist geknickt.
- Der Wasserhahn ist nicht auf.
- Es ist kein Wasser da.
- Der Druck ist unzureichend.
- Die Taste START/RESET wurde nicht gedrückt.
- Der Ablaufschlauch befindet sich nicht auf der vorgeschriebenen Höhe, d.h. 65 - 100 cm vom Boden (*siehe Seite 27*).
- Das Schlauchende liegt unter Wasser (*siehe Seite 27*).
- Der Mauerablauf wurde nicht mit einer Entlüftungsöffnung versehen.

Konnte die Störung durch diese Kontrollen nicht behoben werden, dann drehen Sie den Wasserhahn zu, schalten das Gerät aus und fordern den Kundendienst an. Falls Sie in einer der obersten Etagen eines Gebäudes wohnen, kann es vorkommen, dass sich im Syphon ein Vakuum bildet, und der Waschvollautomat ständig Wasser ansaugt und wieder abpumpt. Zur Lösung dieser Probleme bietet der Handel spezielle Syphonventile.

- Das Programm siehe kein Abpumpen vor: bei einigen Programmen muss diese Funktion manuell gestartet werden (*siehe Seite 30*).
- Die Option ‚Bügelleicht‘ wurde eingestellt: zur Beendigung des Programms Taste START/RESET drücken (*siehe Seite 31*).
- Der Ablaufschlauch ist geknickt (*siehe Seite 27*).
- Die Ablaufleitung ist verstopft.
- Die Trommel wurde bei der Installation nicht korrekt befreit (*siehe Seite 26*).
- Der Waschvollautomat steht nicht eben (*siehe Seite 26*).
- Der Waschvollautomat steht zu eng zwischen der Wand und einem Möbel (*siehe Seite 26*).
- Der Zulaufschlauch wurde nicht ordnungsgemäß aufgeschraubt (*siehe Seite 26*).
- Die Waschmittelschublade ist verstopft (*zur Reinigung siehe Seite 34*).
- Der Ablaufschlauch wurde nicht ordnungsgemäß befestigt (*siehe Seite 27*).
- Das Waschmittel ist für Waschmaschinen nicht geeignet (es muss mit der Aufschrift "Für Waschmaschinen", "Für Handwäsche und Waschmaschinen" usw. versehen sein).
- Es wurde zu hoch dosiert.

DE

Installation

Beschreibung

Waschprogramme

Waschmittel

Vorsichtsmaßnahmen

Wartung und Pflege

Störungen

Kundendienst

**Bevor Sie sich an den Kundendienst wenden:**

- Kontrollieren Sie zuerst, ob das Problem nicht allein gelöst werden kann (*siehe Seite 35*);
- Starten Sie das Programm erneut, um sicherzustellen, dass die Störung auch wirklich behoben wurde;
- Ist dies nicht der Fall, dann kontaktieren Sie den autorisierten Kundendienst unter der auf dem Garantieschein befindlichen Telefonnummer.

! Wenden Sie sich auf keinen Fall an nicht autorisierte Techniker.

**Geben Sie bitte Folgendes an:**

- die Art der Störung;
- das Maschinenmodell (Mod.);
- die Seriennummer (S/N).

Diese Daten entnehmen Sie bitte dem auf der Rückseite der Maschine befindlichen Typenschild.



CZ

Český

AVSD 109

## Obsah

### Instalace, 38-39

Rozbalení a vyrovnání do vodorovné polohy, 38  
Připojení k elektrické síti a k rozvodu vody, 38-39  
První prací cyklus, 39  
Technické údaje, 39

### Popis pračky, 40-41

Ovládací panel, 40  
Displej, 41

### Uvedení do chodu a programy, 42

Ve zkratce: uvedení pracího programu do chodu, 42  
Tabulka programů, 42

### Nastavení činnosti dle potřeb uživatele, 43

Nastavení teploty, 43  
Nastavení rychlosti odstředování, 43  
Volitelné funkce, 43

### Prací prostředky a prádlo, 44

Dávkovač pracích prostředků, 44  
Cyklus bělení, 44  
Příprava prádla, 44  
Oděvy vyžadující zvláštní péči, 44  
Woolmark Platinum Care (Kašmír Platinum), 44

### Opatření a rady, 45

Základní bezpečnostní pokyny, 45  
Likvidace, 45  
Jak ušetřit a brát ohled na životní prostředí, 45

### Údržba a péče, 46

Uzavření přívodu vody a  
vypnutí elektrického napájení, 46  
Čištění pračky, 46  
Čištění dávkovače pracích prostředků, 46  
Péče o dvířka a buben, 46  
Čištění čerpadla, 46  
Kontrola přítokové hadice, 46

### Poruchy a způsob jejich odstranění, 47

### Servisní služba, 48

Před přivoláním servisní služby, 48



ARISTON

# Instalace

CZ

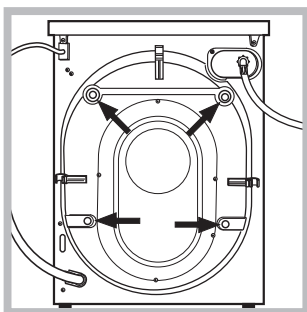
! Je velmi důležité uschovat tento návod za účelem jeho další konzultace. V případě prodeje, darování anebo přestěhování pračky se ujistěte, že zůstane uložen v blízkosti pračky, aby mohl posloužit novému majiteli při seznámení se s činností a s příslušnými upozorněními.

! Pozorně si přečtěte uvedené pokyny: obsahují důležité informace týkající se instalace, použití a bezpečnosti při práci.

## Rozbalení a vyrovnaní do vodorovné polohy

### Rozbalení

1. Rozbalte pračku.
2. Zkontrolujte, zda během přepravy nedošlo k jejímu poškození. V případě, že je poškozena, nezapojte ji a obraťte se na prodejce.



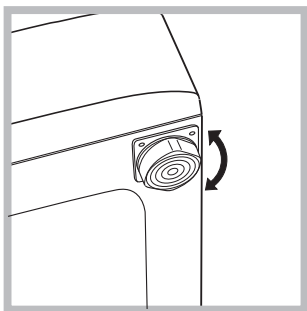
3. Odstraňte čtyři šrouby s gumovou podložkou a s příslušnou rozpěrkou, nacházející se v zadní části (viz obrázek), sloužící na ochranu během přepravy.

4. Uzavřete otvory po šroubech plastovými krytkami.
5. Uschovejte všechny díly: v případě opětovné přepravy pračky je bude třeba namontovat zpátky.

! Obaly nejsou hračky pro děti

### Vyrovnaní do vodorovné polohy

1. Pračku je třeba umístit na rovnou a pevnou podlahu, bez toho, aby byla opřena o stěnu, nábytek anebo něco jiného.

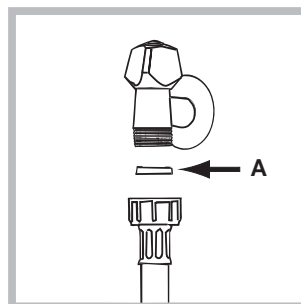


2. V případě, když podlaha není dokonale vodorovná, mohou být případné rozdíly vykompenzovány šroubováním předních nožek (viz obrázek). Úhel sklonu, naměřen na pracovní ploše, nesmí přesáhnout 2°.

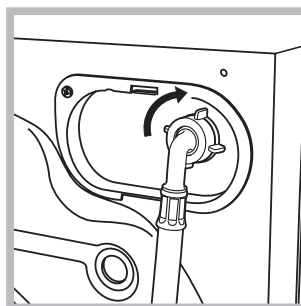
Dokonalé vyrovnaní do vodorovné polohy zabezpečí stabilitu zařízení a zamezí vzniku vibrací a hluku během činnosti. V případě instalace na podlahovou krytinu anebo na koberec, nastavte nožičky tak, aby pod pračkou zůstal dostatečný volný prostor pro ventilaci.

## Připojení k elektrické síti a k rozvodu vody

### Připojení přítokové hadice



1. Vložte těsnění A do koncové části přítokové hadice a připevněte ji k uzávěru studené vody se závitem 3/4" (viz obrázek). Před připojením hadice nechte vodu odtéci, dokud nebude průzračná.



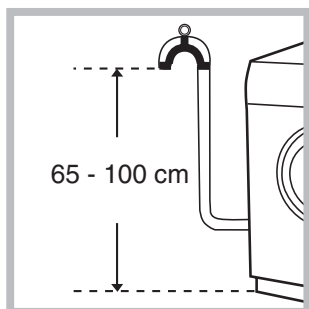
2. Připojte přítokovou hadici k pračce prostřednictvím příslušného vstupního hrdla, umístěného vpravo nahoře (viz obrázek).

3. Dbejte na to, aby hadice nebyla příliš ohnuta anebo stlačena.

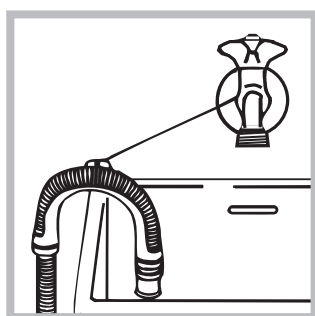
! Tlak v rozvodu vody se musí pohybovat v rozmezí hodnot uvedených v tabulce s technickými údaji (viz vedlejší strana).

! V případě, že délka přítokové hadice nebude dostatečná, obraťte se na specializovanou prodejnu anebo na autorizovaný technický personál.

### Připojení odtokové hadice



Připojte vypouštěcí hadici, k odpadovému potrubí anebo k odpadu ve stěně, nacházejícímu se od 65 do 100 cm nad zemí; zamezte jejímu ohybu;



anebo ji zachyťte na okraj umývadla či vany, a připevněte ji ke kohoutku prostřednictvím držáku z příslušenství (viz obrázek). Volný konec vypouštěcí hadice nesmí zůstat ponořen do vody.

! Použití prodlužovacích hadic se nedoporučuje; je-li však nezbytné, prodlužování hadice musí mít stejný průměr jako originální hadice a její délka nesmí přesáhnout 150 cm.

### Připojení k elektrické síti

Před zasunutím zástrčky do zásuvky se ujistěte, že:

- zásuvka je uzemněna a že vyhovuje normám;
- zásuvka je schopna snést maximální zátěž odpovídající jmenovitému příkonu zařízení, uvedenému v tabulce technickými údaji (viz vedle);
- hodnota napájecího napětí odpovídá údajům uvedeným v tabulce s technickými údaji (viz vedle);
- zásuvka je kompatibilní se zástrčkou pračky. V opačném případě je třeba vyměnit zástrčku.

! Pračka nesmí být umístěna venku – pod širým nebem, a to ani v případě, kdyby se jednalo o místo chráněné před nepřízní počasí, protože je velmi nebezpečné vystavit ji působení deště a bouři.

! Po definitivním umístění pračky musí zásuvka zůstat lehce přístupná.

! Nepoužívejte prodlužování kabely a rozvodky.

! Kabel nesmí být ohnut anebo stlačen.


! Výměna kabelu musí být svěřena výhradně autorizovanému technickému personálu.

Upozornění! Výrobce neponese žádnou odpovědnost za následky nerespektování uvedených předpisů.

### První prací cyklus

Po nastavení pračky, před jejím použitím na praní prádla, je třeba provést jeden zkušební cyklus, s pracím prostředkem a bez náplně prádla, při teplotě 90°C, bez předpirání.

### Technické údaje

<b>Model</b>	AVSD 109
<b>Rozměry</b>	šířka 59,5 cm výška 85 cm hloubka 40 cm
<b>Kapacita</b>	od 1 do 4,5 kg
<b>Napájení</b>	napětí 220/230 V 50 Hz maximální příkon 1850 W
<b>Připojení k rozvodu vody</b>	maximální tlak 1 MPa (10 bar) minimální tlak 0.05 MPa (0.5 bar) kapacita bubnu 40 litrů
<b>Rychlost odstředování</b>	až do 1000 otáček za minutu
<b>Kontrolní program podle normy IEC456</b>	program 3; teplota 60°C; náplň 4,5 kg prádla.
	Toto zařízení odpovídá následujícím normám Evropské unie: - 73/23/EHS z 19/02/73 (Nízké napětí) v platném znění - 89/336/EHS z 03/05/89 (Elektromagnetická kompatibilita) v platném znění - 2002/96/CE
<b>Hlučnost (dB(A) re 1 pW)</b>	Praní: 55 Odstředování: 67

CZ

Instalace

Popis

Prací programy

Prací prostředky

Opatření

Údržba

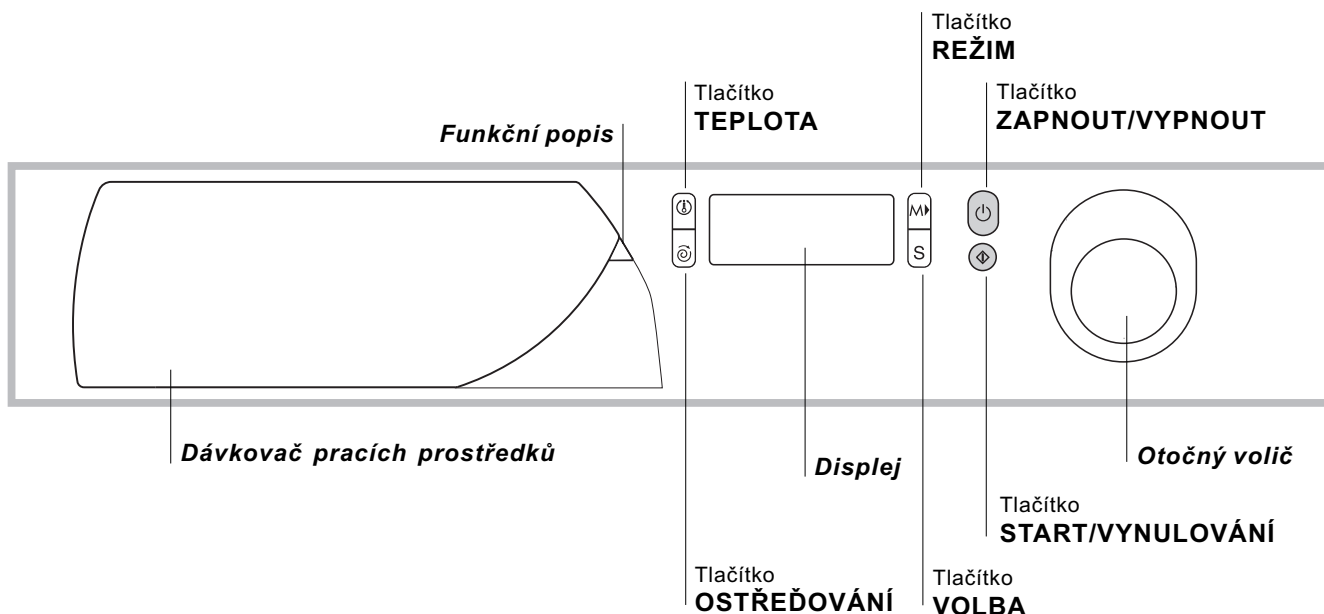
Poruchy

Service síť

# Popis pračky

## Ovládací panel

CZ



**Dávkořač pracích prostředků** slouží k dávkování pracích prostředků a přířavných prostředků (viz str. 44).

**Funkční popis** umožňuje konzultaci schématu pracích programů: otevírá se potáhnutím za šedý jazýček směrem ven.

Tlačítka **TEPLOTA** slouží ke změně nastavení teploty praní (viz str. 43).

Tlačítka **ODSTŘEĐOVÁNÍ** slouží k nastavení rychlosti odstřeđování až po její úplné vyloučení (viz str. 43).

**Displej** slouží k nastavení pracího programu a ke kontrole průběhu pracího cyklu (viz vedlejší strana).

Tlačítka **REŽIM** slouží k nastavení činnosti dle potřeb uživatele (viz str. 43).

Tlačítka **VOLBA** slouží k nastavení činnosti dle potřeb uživatele (viz str. 43).

Tlačítka **ZAPNOUT/VYPNOUT** slouží k zapnutí a vypnutí pračky.

Tlačítka **START/VYNULOVÁNÍ** slouží k uvedení pracího programu do chodu nebo k vynulování chybného nastavení.

**Otočný volič** slouží k volbě pracího programu. Volič je zasouvatelný: pro jeho vysunutí je třeba zatlačit na jeho střed. Během pracího programu zůstane stát ve stejné poloze.

## Displej

Kromě toho, že je velice užitečným nástrojem pro nastavení zařízení (viz str. 43), displej poskytuje také celou řadu informací o pracím cyklu a jeho průběhu.



Po stisknutí tlačítka START/VYNULOVÁNÍ pro spuštění nastaveného pracího programu, se na displeji objeví doba zbývající do konce pracího cyklu. V případě, že je nastaven čas odloženého startu (Odložený start, viz str. 43), dojde k jeho zobrazení.



Během pracího cyklu budou zobrazovány následující informace:

### Aktuální fáze pracího programu:

- |            |                        |
|------------|------------------------|
| Předpírání | Odstředování           |
| Praní      |                        |
| Máchání    | Symbol není aktivován. |



### Zvolený druh tkaniny:

- |                |         |
|----------------|---------|
| Bavlna         | Vlna    |
| Barevné prádlo | Hedvábí |
| Syntetika      |         |



### Volitelné funkce sloužící k nastavení dle potřeb uživatele:

Aktivované funkce jsou v rámečku.  
Způsob výběru jednotlivých volitelných funkcí viz str. 43.

- Volitelná funkce není aktivována.

### Zablokovaná dvířka:

Rozsvícení uvedeného symbolu poukazuje na zablokování dvířek kvůli zabránění jejich náhodnému otevření. Aby se předešlo poškození dvířek, před jejich otevřením je třeba vyčkat na zhasnutí uvedeného symbolu. Tento model je vybaven zařízením umožňujícím otevření dvířek také během první fáze nastaveného pracího programu. Může k němu dojít v případě, že uvedený symbol nesvítí.

Na závěr pracího programu dojde k zobrazení nápisu END.

! V případě výskytu poruchy bude zobrazen chybový kód, například: F-01, který je třeba oznámit servisní službě (viz str. 48).

CZ

Instalace

Popis

Prací programy

Prací prostředky

Opatření

Údržba



Poruchy

Servisní služba




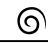

# Uvedení do chodu a programy

CZ

## Ve zkratce: uvedení pracího programu do chodu

1. Zapněte pračku stisknutím tlačítka .
2. Naplňte pračku a zavřete dvířka.
3. Voličem programů nastavte požadovaný prací program. Na displeji bude uvedena přibližná doba praní. Teplota a odstředování budou nastaveny automaticky, na základě zvoleného pracího programu (jejich změna je možná - viz str. 43).
4. Naplňte dávkovač pracími a případně také přídatnými prostředky (viz str. 44).
5. Uvedte nastavený prací program do chodu stisknutím tlačítka START/VYNULOVÁNÍ. Vynulování nastaveného programu se vykonává stisknutím tlačítka START/VYNULOVÁNÍ na dobu nejméně 2 vteřin.
6. Po ukončení pracího programu se objeví nápis END. Vyndejte prádlo a nechte pootevřeny dvířka, aby mohlo dojít k vysušení bubnu.
7. Vypněte pračku stisknutím tlačítka .

## Tabulka programů

Druh tkaniny a stupeň jejího znečištění	Prací programy	Teplota	Prací prostředek		Aviváž	Volitelná funkce Bělení / Bělící prostředek	Doba cyklu (v minutách)	Popis pracího cyklu
			předp.	praní				
<b>Bavlna</b>								
Extrémně znečištěné bílé prádlo (prostěradla, ubrusy, atd.)	1	90°C	•	•	•		137	Předpírání, praní, máchání, průběžné a závěrečné odstředování
Extrémně znečištěné bílé prádlo (prostěradla, ubrusy, atd.)	2	90°C		•	•	Na choul.prádlo / Tradiční	120	Praní, máchání, průběžné a závěrečné odstředování
Silně znečištěné bílé a barevné prádlo z odolných tkanin	3	60°C		•	•	Na choul.prádlo / Tradiční	105	Praní, máchání, průběžné a závěrečné odstředování
Částečně znečištěné bílé a barevné choulostivé prádlo (košile, trička, atd.)	4	40°C		•	•	Na choul.prádlo / Tradiční	72	Praní, máchání, průběžné a závěrečné odstředování
Částečně znečištěné barevné choulostivé prádlo	5	30°C		•	•	Na choul.prádlo / Tradiční	65	Praní, máchání, průběžné a závěrečné odstředování
<b>Syntetika</b>								
Silně znečištěné prádlo z odolných barevných tkanin	6	60°C		•	•	Na choul.prádlo	77	Praní, máchání, ochrana před zmačkáním anebo jemné odstředování
Prádlo z odolných tkanin (lehce znečištěné prádlo všeho druhu)	6	40°C		•	•	Na choul.prádlo	62	Praní, máchání, ochrana před zmačkáním anebo jemné odstředování
Silně znečištěné prádlo z odolných barevných tkanin	7	50°C		•	•	Na choul.prádlo	73	Praní, máchání, ochrana před zmačkáním anebo jemné odstředování
Choulostivé barevné prádlo (lehce znečištěné prádlo všeho druhu)	8	40°C		•	•	Na choul.prádlo	58	Praní, máchání, ochrana před zmačkáním anebo jemné odstředování
Choulostivé barevné prádlo (lehce znečištěné prádlo všeho druhu)	9	30°C		•	•		30	Praní, máchání, jemné odstředování
<b>Choulostivé prádlo</b>								
Vlna	10	40°C		•	•	Na choul.prádlo	50	Praní, máchání, odstředování
Prádlo z velice choulostivých tkanin (záclony, hedvábí, viskóza, atd.)	11	30°C		•	•		45	Praní, máchání, ochrana před zmačkáním anebo vyčerpání vody
<b>ČÁSTEČNÉ PROGRAMY</b>								
Máchání					•	•		Máchání a odstředování
Jemné máchání					•	•		Máchání, ochrana před zmačkáním anebo vyčerpání vody
Odstředování								Vyčerpání vody a intenzivní odstředování
Jemné odstředování								Vyčerpání vody a jemné odstředování
Vyčerpání vody								Vyčerpání vody

## Poznámky

Popis ochrany před zmačkáním: viz Snadné žehlení, na vedlejší straně. Údaje uvedené v tabulce mají pouze informativní charakter.

## Speciální program

*Každodenní praní 30'* (program 9 pro syntetiku) je navržen speciálně pro praní lehce znečištěného prádla během krátké doby: trvá pouze 30 minut a šetří tak energii a čas. Nastavením programu (9 při 30°C) je možné prát spolu prádlo různého druhu (s výjimkou vlny a hedvábí) s náplní nepřesahující 3 kg. *Doporučuje se použití tekutého pracího prostředku.*

# Nastavení činnosti dle potřeb uživatele



## Nastavení teploty

Po stisknutí tlačítka dojde k zobrazení maximální teploty pro nastavený prací cyklus. Je možné snížit ji stisknutím uvedeného tlačítka. OFF označuje praní ve studené vodě. Nastavení teploty je možné u všech pracích programů.



## Nastavení rychlosti odstředování

Po stisknutí tlačítka dojde k zobrazení maximální rychlosti odstředování pro nastavený prací cyklus. Stisknutím tlačítka dojde k snížení nastavených hodnot až po zobrazení hodnoty OFF, znamenající ukončení programu bez odstředování (po dalším stisknutí dojde k opětovnému zobrazení nejvyšší možné hodnoty). Vyloučení odstředování je označeno symbolem . Nastavení rychlosti odstředování je možné u všech pracích programů, s výjimkou programu 11 a vyčerpání vody.



## Volitelné funkce

Jednotlivé funkce, kterými pračka disponuje, umožňují dosáhnout požadovaný stupeň čistoty a běloby praného prádla. Postup při výběru jednotlivých volitelných funkcí je stejný:

1. Prostřednictvím tlačítka REŽIM je možný pohyb mezi jednotlivými volitelnými funkcemi; aktivovaný symbol bude blikat.
2. Nastavení se uskutečňuje stisknutím tlačítka VOLBA, a jeho přidržení až do objevení nápisu ON (v případě odloženého startu dojde k zobrazení nastaveného času: viz níže uvedená tabulka).
3. Potvrďte volbu opětovným stisknutím tlačítka REŽIM: symbol znázorněný na displeji, odpovídající nastavené volitelné funkci, přestane blikat.

Nastavení volitelné funkce budou na displeji označeny rámečkem.

Volitelná funkce	Efekt	Poznámky k použití	Aktivní při programech:
<b>Odložený start</b>	Slouží k odložení startu pracího cyklu až o 24 hodin.	Opakovaně stiskněte <b>S</b> (tlačítko VOLBA) za účelem zobrazení hodnoty OFF, odpovídající okamžitému startu.	Všech
<b>Bělení</b>	Bělicí cyklus vhodný na odstranění nejdolnějších skvrn.	Nezapomeňte na vložení bělicího prostředku do přídatné přihrádky 4 (viz str. 44). Není kompatibilní s použitím volitelné funkce SNADNÉ ŽEHLENÍ.	2, 3, 4, 5, 6, 7, 8, 10, máchání.
<b>Snadné zehlení</b>	Slouží ke snížení počtu záhybů na tkaninách, ulehčujíc následné zehlení.	Po nastavení této volitelné funkce dojde k přerušení programů 6, 7, 8, 11 a jemného máchání s prádlem namočeným ve vodě (ochrana před zmačkáním) a k blikání symbolu : - dokončení pracího cyklu je možné po stisknutí tlačítka START/VYNULOVÁNÍ; - přejete-li si pouze vypustit vodu, nastavte otočný volič do polohy označené  a stiskněte tlačítko START/VYNULOVÁNÍ. Není kompatibilní s použitím volitelné funkce BĚLENÍ.	Všechny kromě 1, 2, 9, 10, vyčerpání vody.
<b>Super Wash</b>	Umožňuje dosažení dokonalé čistoty a viditelně nejvýraznější běloby vypraného prádla v standardu třídy A.	Není kompatibilní s použitím volitelné funkce RYCHLÉ PRANÍ.	1, 2, 3, 4, 5, 6, 7, 8
<b>Rychlé praní</b>	Umožňuje snížit dobu pracího cyklu přibližně o 30%.	Není kompatibilní s použitím volitelné funkce SUPER WASH.	1, 2, 3, 4, 5, 6, 7, 8
<b>Intenzivní máchání</b>	Slouží ke zvýšení účinnosti máchání.	Její použití se doporučuje při zcela naplněné pračce anebo při použití velkého množství pracího prostředku.	1, 2, 3, 4, 5, 6, 7, 8, máchání.

CZ

Instalace

Popis

Prací programy

Prací prostředky

Opatření

Údržba

Poruchy

Service služba

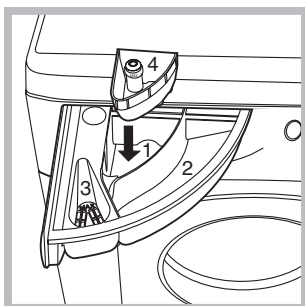


# Prací prostředky a prádlo

CZ

## Dávkovač pracích prostředků

Dobry výsledek praní závisí také na správném dávkování pracích prostředků: použití jejich nadměrného množství snižuje efektivitu praní a napomáhá tvorbě vodního kamene na vnitřních částech pračky a znečištění životního prostředí.



Při vytahování dávkovače pracích prostředků a při jeho plnění pracími nebo přídatnými prostředky postupujte následovně:

### příhrádka 1: Prací prostředek (práškový) pro předpírání

Před naplněním příhrádky pracím prostředkem se ujistěte, že se v dávkovači nenachází přídatná příhrádka 4.

### příhrádka 2: Prací prostředek (práškový anebo tekutý) pro praní

Tekutý prací prostředek se nalévá pouze těsně před uvedením do chodu.

### příhrádka 3: Přídatné prostředky (aviváž, atd.)

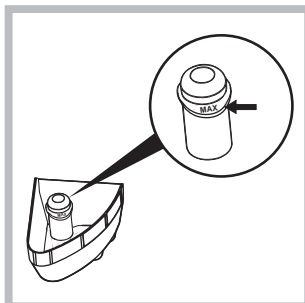
Aviváž nesmí vytékat z mřížky.

### přídatná příhrádka 4: Bělící prostředek



! Nepoužívejte prací prostředky určené na ruční praní, protože způsobují tvorbu nadměrného množství pěny.

## Cyklus bělení

! Tradiční bělicí prostředek se používá při bělení bílého prádla z odolných tkanin, zatímco bělicí prostředek na choulostivé prádlo se používá při bělení barevného prádla, prádla ze syntetických tkanin a z vlny.



Vložte přídatnou příhrádku 4, z příslušenství, do příhrádky 1. Při dávkování bělicího prostředku nepřekročte hladinu „max“, vyznačenou na středovém kolíku (viz obrázek).

Když si přejete vykonat pouze bělicí cyklus, naplňte přídatnou příhrádku 4 bělicím prostředkem, nastavte program máchání  (pro bavlněné prádlo) anebo jemné máchání  (pro prádlo ze syntetických tkanin) a aktivujte volitelnou funkci bělení (viz str. 43).

Při bělení během pracího cyklu naplňte dávkovač pracím prostředkem a přídatnými prostředky, nastavte požadovaný prací cyklus a aktivujte volitelnou funkci bělení (viz str. 43).

Použití přídatné příhrádky 4 vylučuje možnost předpírání. Bělící cyklus je vyloučen také během programů 11 (hedvábí) a během cyklu každodenního praní 30' (viz str. 42).

## Příprava prádla

- Roztřídte prádlo podle:
  - druhu tkaniny / symbolu na visačce.
  - barvy: oddělte barevné prádlo od bílého.
- Vyprázdněte kapsy a zkontrolujte knoflíky.
- Nepřekračujte povolenou náplň, vztahující se na hmotnost suchého prádla:
  - Odolné tkaniny: max. 4,5 kg
  - Syntetické tkaniny: max. 2,5 kg
  - Jemné tkaniny: max. 2 kg
  - Vlna: max. 1 kg

### Kolik váží prádlo?

- 1 prostěradlo 400-500 g
- 1 povlak na polštář 150-500 g
- 1 ubrus 400-500 g
- 1 župan 900-1.200 g
- 1 ručník 150-250 g

## Oděvy vyžadující zvláštní péči

**Záclony:** přehnout je a uložit dovnitř povlaku na polštář anebo do sáčku ze síťoviny. Je třeba je prát samostatně a nepřekročit přitom poloviční náplň. Na praní záclon použijte program 11, který automaticky vyloučí odstřeďování.

**Prošívané kabáty a větrovky:** je možné je prát v pračce v případě, že jsou plněny husím anebo kachním prachovým peřím. Jednotlivé kusy oděvu obraťte naruby, naplňte pračku náplní s hmotností nepřesahující 2-3 kg, zopakujte jeden anebo víckrát máchání a použijte jemné odstřeďování.

**Tenisky:** očistěte je od bahna. Můžete je prát spolu s džínami a prádlem z odolných tkanin, nemůžete je však prát spolu s bílým prádlem.

**Vlna:** abyste dosáhli nejlepších výsledků, je třeba použít specifický prací prostředek na praní vlny a nepřekročit 1 kg náplně.

## Woolmark Platinum Care (Kašmír Platinum)



### Jemné jako praní v rukou.

Ariston zavedl nový, vyšší standard, který byl společností The Woolmark Company oceněn prestižní značkou Woolmark Platinum Care. V případě, že je pračka označena značkou Woolmark Platinum Care, může se v ní prát, při dosažení vynikajících výsledků i vlněné prádlo označené visačkou „Prát v rukou“ (M.0303):



Nastavte prací program 10 při praní všech kusů oděvu označených visačkou „Prát v rukou“, a použijte specifické prací prostředky.



! Pračka byla navržena a vyrobena v souladu s platnými mezinárodními bezpečnostními předpisy. Tato upozornění jsou uváděna z bezpečnostních důvodů a je třeba si je pozorně přečíst.

## Základní bezpečnostní pokyny

- Tento spotřebič byl navrhnout pro domácí, neprofesionální použití, a jeho funkce nesmí být měněny.
- Pračku mohou používat pouze dospělé osoby, podle pokynů uvedených v tomto návodu.
- Nedotýkejte se zařízení bosí, anebo v případě, když máte mokré ruce anebo nohy.
- Nevytahujte zástrčku ze zásuvky tahem za kabel, ale uchopením za zástrčku.
- Neotvírejte dávkovač pracích prostředků během činnosti zařízení.
- Nedotýkejte se vyčerpávané vody, protože může mít velmi vysokou teplotu.
- Nepokoušejte se o násilné otevření dvířek: mohlo by dojít k poškození bezpečnostního uzávěru, který zabraňuje náhodnému otevření.
- Při výskytu poruchy se v žádné případě nepokoušejte o opravu vnitřních částí zařízení.
- Vždy mějte pod kontrolou děti a zabraňte jejich přiblížení se k pračce během pracího cyklu.
- Během pracího cyklu mají dvířka tendenci ohřát se.
- V případě potřeby přemíst'ujte pračku ve dvou nebo ve třech, a věnujte celé operaci zvláštní pozornost. Nikdy se nepokoušejte pračku přemísťovat sami, je totiž velmi těžká.
- Před zahájením vkládání prádla zkontrolujte, zda je buben prázdný.

## Likvidace

- Likvidace obalových materiálů: při jejich odstranění postupujte v souladu s místními předpisy a dbejte na možnou recyklaci.
- Evropská směrnice 2002/96/EC o odpadních elektrických a elektronických zařízeních stanovuje, že staré domácí elektrické spotřebiče nesmí být odkládány do běžného netříděného domovního odpadu. Staré spotřebiče musí být odevzdány do odděleného sběru, a to za účelem recyklace a optimálního využití materiálů, které obsahují, a z důvodu předcházení negativním dopadům na lidské zdraví a životní prostředí.

Symbol "přeškrtnuté popelnice" na výrobku vás upozorňuje na povinnost odevzdat zařízení po skončení jeho životnosti do odděleného sběru.

Spotřebitelé by měli kontaktovat příslušné místní úřady nebo svého prodejce ohledně informací týkajících se správné likvidace starého zařízení.

## Jak ušetřit a brát ohled na životní prostředí

### Technika ve službách životního prostředí

Vysvětlením toho, že uvnitř pračky je vidět málo vody, je skutečnost, že nový způsob praní Ariston umožňuje dokonale vyprat prádlo s použitím méně než polovičního množství vody: jedná se o dosažení vytýčeného cíle s ohledem na životné prostředí.

### Šetření pracími prostředky, vodou, energií a časem

- Aby nedocházelo k plýtvání, je třeba používat pračku s plnou náplní. Jedna plná náplň, ve srovnání se dvěma polovičními, umožňuje ušetřit až 50% energie.
- Předpírání je potřebné pouze při praní silně znečištěného prádla. Prací program bez předpírání umožňuje ušetřit od 5 do 15% energie.
- Při aplikaci příslušného prostředku proti skvrnám anebo jejich namočením před zahájením praní, je možné vyhnout se praní při vysokých teplotách. Použití stejného pracího programu při teplotě 60°C namísto 90°C anebo 40°C namísto 60°C, umožňuje ušetřit až 50% energie.
- Správné dávkování pracího prostředku, s ohledem na tvrdost vody, stupeň znečištění a množství praného prádla zabraňuje plýtvání a chrání životní prostředí: i když se jedná o biodegradabilní látky, prací prostředky narušují přirozenou rovnováhu v přírodě. Dále se je třeba, dle možností, vyhnout použití aviváže.
- Praní v podvečer nebo brzy ráno napomáhá nižší zátěži firem, zabývajících se výrobou energie. Volitelná funkce odložený start (viz str. 43) značně napomáhá organizaci praní právě na základě uvedených pravidel.
- V případě, že prádlo má být vysušeno v sušičce, zvolte vysokou rychlost odstředování. Malé množství vody umožňuje šetřit čas a energii během sušícího programu.

CZ

Instalace

Popis

Prací programy

Prací prostředky

Opatření

Údržba

Poruchy

Service služba

# Údržba a péče

CZ

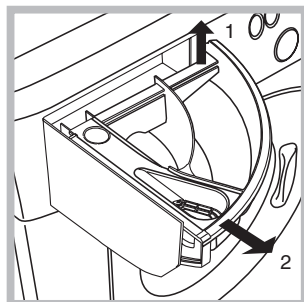
## Uzavření přívodu vody a vypnutí elektrického napájení

- Po každém praní uzavřete přívod vody. Tímto způsobem dochází k omezení opotřebení pračky a ke snížení nebezpečí úniku vody.
- Před zahájením čištění pračky a během operací údržby je třeba vytáhnout zástrčku přívodního kabelu ze zásuvky.

## Čištění pračky

Vnější části a části z gumy mohou být čištěny hadrem navlhčeným ve vlažné vodě a saponátu. Nepoužívejte rozpouštědla anebo brusné prostředky.

## Čištění dávkovače pracích prostředků



Vytáhněte dávkovač jeho nadzvednutím a vytáhnutím směrem ven (viz obrázek). Umyjte ho pod proudem vody; tento druh vyčištění je třeba vykonávat pravidelně.

## Péče o dvířka a buběn

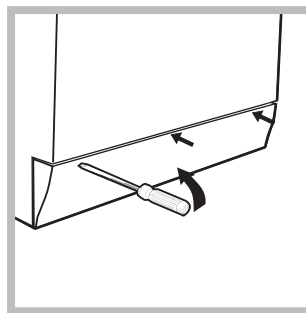
- Dvířka ponechte po každé pootevřeny, aby se zabránilo tvorbě nepříjemných zápachů.

## Čištění čerpadla

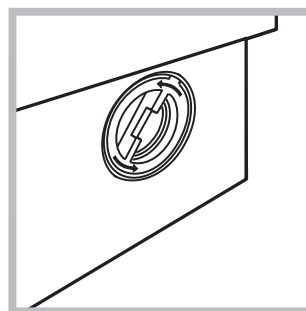
Součástí pračky je samočisticí čerpadlo, která nevyžaduje zvláštní péči. Může se však stát, že se v jeho vstupní části, určené na jeho ochranu, a nacházející se v jeho spodní části, zachytí drobné předměty (mince, knoflíky).

! Ujistěte se, že prací cyklus byl ukončen a vytáhněte zástrčku ze zásuvky.

Přístup ke vstupní části čerpadla:



1. pomocí šroubováku odstraňte krycí panel nacházející se ve přední části pračky (viz obrázek);



2. odšroubujte vrchní kryt otáčením proti směru hodinových ručiček (viz obrázek): vytečení malého množství vody je zcela běžným jevem;

3. dokonale vyčistěte vnitřek vstupní části čerpadla;
4. nasadte zpátky vrchní kryt;
5. namontujte zpátky krycí panel, přičemž se, před jeho přisunutím k pračce ujistěte, že došlo k správnému zachycení háčků do příslušných otvorů.

## Kontrola přítokové hadice

Stav přítokové hadice je třeba zkontrolovat alespoň jednou ročně. Jsou-li na ní viditelné praskliny anebo trhliny, je třeba ji vyměnit: silný tlak působící na hadici během pracího cyklu by mohl způsobit její náhlé roztrhnutí.

! Nikdy nepoužívejte již použité hadice.

Může se stát, že pračka nebude fungovat. Před telefonickým kontaktováním servisní služby (viz str. 48), zkontrolujte prostřednictvím následujícího seznamu, zda se nejedná o jednoduše odstranitelný problém.


## Poruchy:

**Pračku nelze zapnout.**

## Možné příčiny / Způsob jejich odstranění:

- Zástrčka není zasunuta v zásuvce, anebo ne natolik, aby došlo ke spojení kontaktů.
- V celém domě je vypnut proud.

**Nedochází k zahájení pracovního cyklu.**

- Dvířka nejsou správně zavřena (na displeji je zobrazen nápis DOOR).
- Nebylo stisknuto tlačítko .
- Nebylo stisknuto tlačítko START/VYNULOVÁNÍ.
- Nebyl otevřen kohoutek přívodu vody.
- Byl nastaven odložený start (Odložený start, viz str. 43).

**Nedochází k napouštění vody do pračky (na displeji je zobrazen nápis H<sub>2</sub>O).**

- Přívodní hadice není připojena k vodovodnímu kohoutku.
- Přívodní hadice je příliš ohnuta.
- Nebyl otevřen kohoutek přívodu vody.
- V celém domě je uzavřen přívod vody.
- V rozvodu vody není dostatečný tlak.
- Nebylo stisknuto tlačítko START/VYNULOVÁNÍ.

**Dochází k nepřetržitému napouštění a vyčerpávání vody.**

- Ústí vypouštěcí hadice se nachází mimo určené rozmezí od 65 do 100 cm nad zemí (viz str. 39).
- Koncová část vypouštěcí hadice je ponořena ve vodě (viz str. 39).
- Odpad ve stěně není vybaven odvodušňovacím otvorem.

Když ani po uvedených kontrolách nedojde k odstranění problému, uzavřete přívod vody, vypněte pračku a přivolejte servisní službu. V případě, že se byt nachází na jednom z nejvyšších poschodí, je možné, že dochází k sifonovému efektu, jehož následkem pračka nepřetržitě napouští a odčerpává vodu. Na odstranění uvedeného efektu jsou v prodeji běžně dostupné speciální protisifonové ventily.

**Nedochází k vyčerpání vody anebo k odstředování.**

- Odčerpání vody netvoří součást nastaveného programu: u některých programů je potřebné jeho manuální uvedení do činnosti (viz str. 42).
- Byla aktivována volitelná funkce Snadné žehlení: dokončení pracovního cyklu je možné po stisknutí tlačítka START/VYNULOVÁNÍ (viz str. 43).
- Vypouštěcí hadice je příliš ohnuta (viz str. 39).
- Odpadové potrubí je ucpáno.

**Během odstředování je možné pozorovat silné vibrace.**

- Během instalace nebyl buben odjištěn předepsaným způsobem (viz str. 38).
- Pračka není vyrovnána do vodorovné polohy (viz str. 38).
- Pračka je namáčknuta mezi nábytkem a stěnou (viz str. 38).

**Dochází k úniku vody z pračky.**

- Přívodní hadice není správně připojena (viz str. 38).
- Dávkovač pracích prostředků je ucpán (způsob jeho vyčištění – viz str. 46).
- Vypouštěcí hadice není upevněna předepsaným způsobem (viz str. 39).

**Dochází k tvorbě nadměrného množství pěny.**

- Použitý prací prostředek není vhodný pro použití v automatické pračce (musí obsahovat označení „pro praní v pračce“, „pro praní v rukou nebo v pračce“ anebo podobné označení).
- Bylo použito nadměrné množství pracích prostředků.

CZ

Instalace

Popis

Prací programy

Prací prostředky

Opatření

Údržba

Poruchy

Servisní služba

# Servisní služba

2

## **Před přivoláním servisní služby:**

- Zkontrolujte, zda nejste schopni poruchu odstranit sami (*viz str. 47*);
- Opětovně uveďte do chodu prací program, s cílem ověřit, zda byla porucha odstraněna;
- V opačném případě se obraťte na autorizované centrum servisní služby, na telefonním čísle uvedeném na záručním listě.

**!** Nikdy se neobracejte se žádostí o pomoc na techniky, kteří nejsou na vykonávání této činnosti oprávněni.

## **Při hlášení poruchy uveďte:**

- druh poruchy;
- model pračky (Mod.);
- výrobní číslo (S/N).

tyto informace jsou uvedeny na typovém štítku, nacházejícím se na zadní straně pračky.

# INSTRUCȚIUNI DE FOLOSIRE

MAȘINĂ DE SPĂLAT RUFEE

RO

RO

Română

AVSD 109

## Sumar

### Instalare, 50-51

Scoaterea din ambalaj și nivelarea, 50  
Legături hidraulice și electrice, 50-51  
Primul program de spălare, 51  
Date tehnice, 51

### Descrierea mașinii de spălat, 52-53

Panoul de control, 52  
Display-ul, 53

### Pornire și Programe, 54

Pe scurt: pornirea unui program, 54  
Tabel de programe, 54

### Personalizări, 55

Reglarea temperaturii, 55  
Reglarea turației de centrifugare, 55  
Opțiuni, 55

### Detergenți și rufe albe, 56

Sertarul detergenților, 56  
Program de albire, 56  
Sortarea rufelor, 56  
Rufe deosebite, 56  
Woolmark Platinum Care (Cașmir Platinum), 56

### Precauții și sfaturi, 57

Protecție generală, 57  
Aruncarea reziduurilor, 57  
Protecția și respectarea mediului înconjurător, 57

### Întreținere și îngrijire, 58

Oprirea apei și a curentului electric, 58  
Curățarea mașinii de spălat, 58  
Curățarea sertarului pentru detergenți, 58  
Îngrijirea hubloului și a cuvei, 58  
Curățarea pompei, 58  
Controlarea furtunului de alimentare cu apă, 58

### Anomalii și remedii, 59

### Asistență, 60

Înainte de a lua legătura cu Asistența, 60

# Instalare

RO

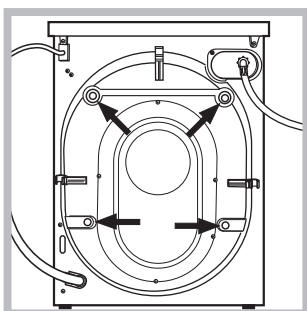
! Este important să se păstreze acest manual pentru a-l putea consulta în orice moment. În caz de vânzare, cesiune sau schimbare a locuinței, acesta trebuie păstrat împreună cu mașina de spălat pentru a informa noul proprietar cu privire la funcționare și la respectivele avertismente.

! Citiți cu atenție instrucțiunile: veți găsi informații importante cu privire la instalare, folosire și siguranță.

## Scoaterea din ambalaj și nivelarea

### Scoaterea din ambalaj

1. Scoateți din ambalaj mașina de spălat.
2. Controlați ca mașina de spălat să nu fi fost deteriorată pe durata transportului. Dacă este deteriorată, nu o conectați și luați legătura cu cine v-a vândut-o.



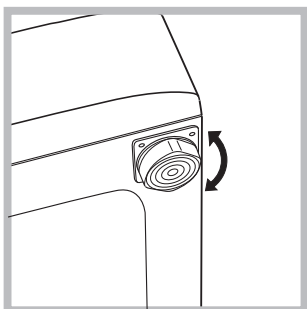
3. Scoateți cele patru șuruburi de protecție pentru transport și cauciucul cu respectivul distanțator, situate în partea posterioară (a se vedea figura).

4. Închideți orificiile cu dopurile de plastic din dotare.
5. Păstrați toate piesele: pentru cazul în care mașina de spălat va trebui să fie transportată, piesele vor trebui montate din nou.

! Ambalajele nu constituie jucării pentru copii.

### Nivelare

1. Instalați mașina de spălat pe un plan rigid, fără a o sprijini de ziduri, mobilă sau altceva.

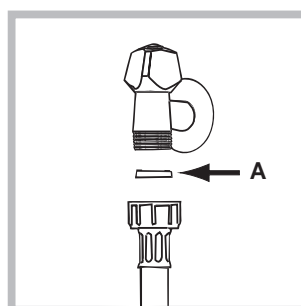


2. Dacă podeaua nu este poziționată orizontal, compensați neregularitățile deșurubând sau înșurubând picioarele anterioare (a se vedea figura); unghiul de înclinare, măsurat pe planul de lucru, nu trebuie să depășească 2°.

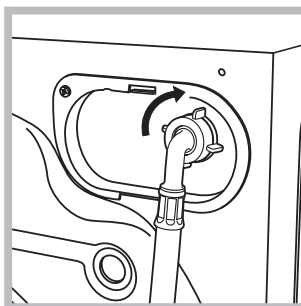
O nivelare precisă conferă stabilitate mașinii și evită vibrații, zgomote și deplasări pe durata funcționării. În cazul mochetelor sau a unui covor, reglați picioarele astfel încât să mențineți sub mașina de spălat un spațiu suficient pentru ventilare.

## Legături hidraulice și electrice

### Conectarea furtunului de alimentare cu apă



1. Introduceți garnitura A în extremitatea furtunului de alimentare cu apă și înșurubați-l la un robinet filetat de apă rece (a se vedea figura). Înainte de conectare, lăsați apa să curgă pentru a se limpezi.



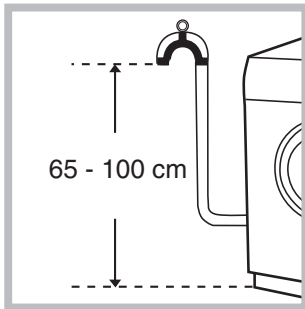
2. Conectați furtunul de alimentare la mașina de spălat, înșurubându-l la respectiva priză de apă, sus, în dreapta (a se vedea figura).

3. Fiți atenți ca furtunul să nu fie nici curbat, nici îndoit.

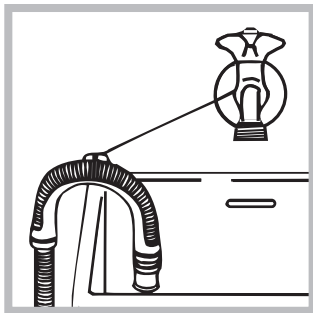
! Presiunea apei trebuie să fie cuprinsă în valorile tabelului "Date tehnice" (a se vedea pagina alăturată).

! Dacă lungimea furtunului de alimentare nu este suficientă, adresați-vă unui magazin specializat sau unui tehnician autorizat.

### Conectarea furtunului de evacuare



Conectați furtunul de evacuare, fără a-l îndoi, la o conductă de evacuare sau la o gură de evacuare în zid, situate între 65 și 100 cm de pământ;



sau sprijiniți-l pe marginea unei chiuvete sau a unei căzi, legând ghidajul aflat în dotare, de robinet (*a se vedea figura*). Extremitatea liberă a furtunului de evacuare nu trebuie să rămână cufundată în apă.

! Nu este recomandabilă folosirea furtunurilor de prelungire; dacă este indispensabil, furtunul de prelungire trebuie să aibă același diametru cu furtunul original și nu trebuie să depășească 150 cm.

### Legătura electrică

Înainte de a introduce ștecherul în priză de curent, asigurați-vă ca:

- priză să fie cu împământare și conform prevederilor legale;
- priză să poată suporta sarcina maximă de putere a mașinii, indicată în tabelul cu date tehnice (*a se vedea alături*);
- tensiunea de alimentare să fie cuprinsă în valorile indicate în tabelul cu date tehnice (*a se vedea alături*);
- priză să fie compatibilă cu ștecherul mașinii de spălat. În caz contrar, înlocuiți priză sau ștecherul.

! Mașina de spălat nu trebuie instalată afară, nici chiar în cazul în care spațiul este adăpostit, deoarece este foarte periculoasă expunerea mașinii la ploaie și furtuni.

! După instalarea mașinii de spălat, priză de curent trebuie să fie ușor accesibilă.

! Mașina nu funcționează la temperaturi mai mici de 16 grade.

! Nu folosiți prelungitoare și prize multiple.

! Cablul nu trebuie să fie îndoit sau comprimat.


! Cablul de alimentare trebuie să fie înlocuit doar de tehnicieni autorizați.

Atenție! Producătorul își declină orice responsabilitate pentru cazul în care aceste norme nu se respectă.

### Primul program de spălare

După instalare, înainte de folosire, efectuați un program de spălare cu detergent și fără rufe, selectând programul la 90°C, fără prespălare.

### Date tehnice

Model	AVSD 109
Dimensiuni	lățime: 59,5 cm înălțime: 85 cm profundime: 40 cm
Capacitate	de la 1 la 4,5 kg
Legături electrice	tensiune: 220/230 Volți 50 Hz putere maximă absorbită: 1850 W
Legături hidrice	presiune maximă: 1 MPa (10 bari) presiune minimă: 0,05 MPa (0,5 bari) capacitatea cuvei : 40 litri
Turația de centrifugare	până la 1000 de rotații pe minut
Programe de control în baza normei IEC456	programul 3; temperatura 60°C; efectuată cu 4,5 kg de rufe.
	Acest aparat este conform cu următoarele Directive Comunitare: - 73/23/CEE din data de 19/02/73 (Tensiuni Joase) și modificări succesive - 89/336/CEE din data de 03/05/89 (Compatibilitate Electromagnetică) și modificări succesive
Zgomot (dB(A) re 1 pW)	Spălare: 55 Turație de centrifugare: 67

RO

Instalare

Descriere

Programe

Detergenți

Precauții

Întreținere

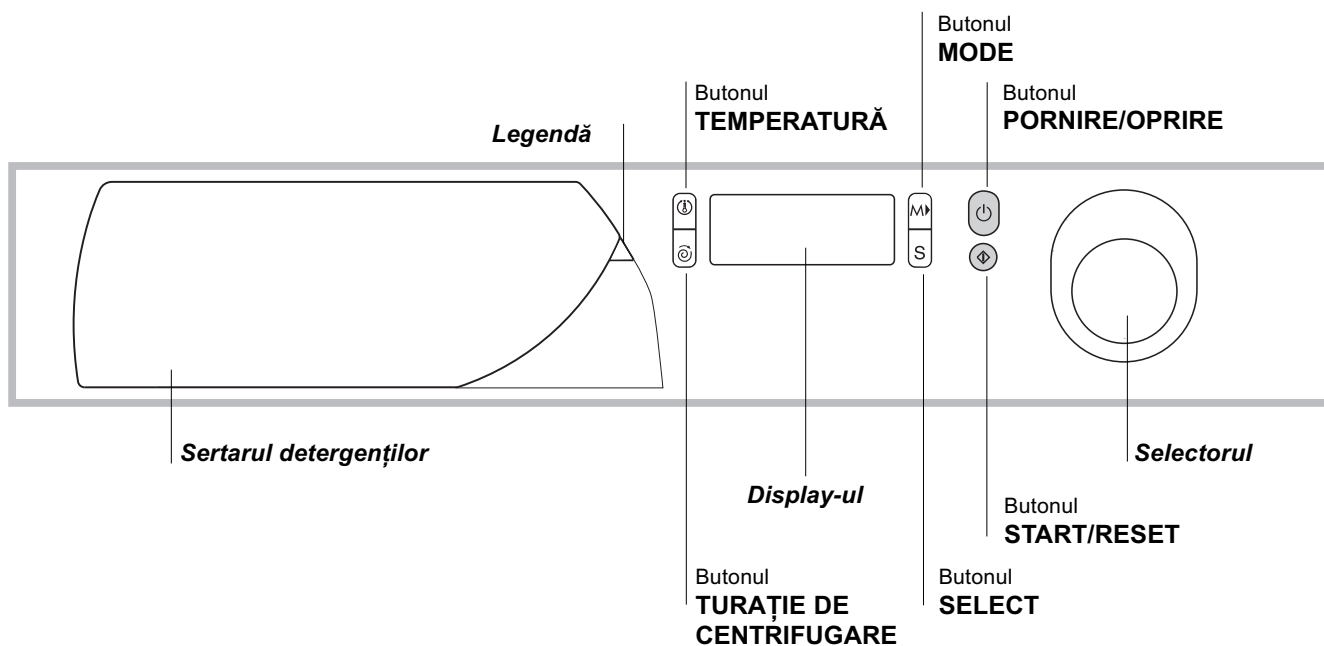
Anomalii

Asistență

# Descrierea mașinii de spălat

RO

## Panoul de control



**Sertarul detergenților** este folosit pentru a încărca detergenți și aditivi (a se vedea pag. 56).

**Legendă** este folosită pentru a consulta în orice moment o schemă sintetică a programelor: se deschide trăgând limba gri spre exterior.

Butonul **TEMPERATURĂ** este folosit pentru modificarea temperaturii de spălare (a se vedea pag. 55).

Butonul **TURAȚIE DE CENTRIFUGARE** este folosit pentru reglarea turației de centrifugare până la excluderea acesteia (a se vedea pag. 55).

**Display-ul** este folosit pentru programarea mașinii de spălat și efectuarea avansării programelor de

spălare (a se vedea pagina alăturată).

Butonul **MODE** este folosit pentru alegerea opțiunilor de personalizare (a se vedea pag. 55).

Butonul **SELECT** este folosit pentru alegerea opțiunilor de personalizare (a se vedea pag. 55).

Butonul **PORNIRE/OPRIRE** este folosit pentru pornirea și oprirea mașinii de spălat.

Butonul **START/RESET** este folosit pentru pornirea programelor sau anularea a ceea ce a fost selectat greșit.

**Selectorul** este folosit pentru alegerea programelor. Selectorul este cu locaș: pentru a-l extrage apăsați-l ușor, în centru. Pe durata programului, selectorul rămâne ferm.



## Display-ul

Acesta este un instrument util pentru programarea mașinii (a se vedea pag. 55), furnizând totodată informații cu privire la programul de spălare și la starea de avansare.



După apăsarea butonului START/RESET pentru a porni programul, pe display este cronometrată durata reziduală până la inițierea programului de spălare ales. În cazul în care ați optat pentru inițierea programului de spălare după un anumit interval de timp (Delay Timer, a se vedea pag. 55), aceasta va fi vizualizată.



Pe parcursul programului de spălare se vizualizează:

### Faza în curs:

- |  |            |  |                 |
|--|------------|--|-----------------|
|  | Prespălare |  | Centrifugare    |
|  | Spălare    |  | Simbol inactiv. |
|  | Clătire    |  |                 |



### Țesătură selectată:

- |  |           |  |        |
|--|-----------|--|--------|
|  | Bumbac    |  | Lână   |
|  | Colorate  |  | Mătase |
|  | Sintetice |  |        |

### Opțiuni de personalizare:

Opțiunile active sunt încadrate de un chenar. Pentru a alege opțiunile, a se vedea pag. 55.

- Opțiune inactivă.

### Hublou blocat:

Simbolul aprins indică faptul că hubloul este blocat pentru a împiedica deschideri accidentale. Pentru a evita daunele ce pot deriva dintr-o funcționare defectuoasă, este necesar să așteptați ca simbolul să se stingă înainte de a deschide hubloul.

Acest model este echipat cu un dispozitiv care permite deschiderea hubloului chiar și pe parcursul primei faze a programului. Acest lucru este posibil atunci când simbolul nu este aprins.

La încheierea programului se vizualizează cuvântul END.

! În caz de anomalie apare un cod de eroare, de exemplu: F-01, de transmis Asistenței Tehnice (a se vedea pag. 60).

RO

Instalare

Descriere

Programe

Detergenți

Precauții

Întreținere


Anomalii


Asistență

# Pornire și Programe






RO

## Pe scurt: pornirea unui program

1. Porniți mașina de spălat apăsând butonul .
2. Introduceți rufele și închideți hubloul.
3. Selectați, cu ajutorul selectorului programul dorit. Pe display va apărea durata estimată. Temperatura și turația de centrifugare se selectează automat în baza programului (pentru a le modifica, a se vedea pag. 55).

4. Vărsați detergenți și aditivii (a se vedea pag. 56).
5. Porniți programul apăsând butonul START/RESET.  
Pentru a-l anula, țineți apăsat butonul START/RESET timp de cel puțin 2 secunde.
6. La încheierea programului va apărea scris END. Scoateți rufele și lăsați hubloul întredeschis pentru a se putea usca cuva.
7. Opriți mașina de spălat apăsând butonul .

## Tabel de programe

Tipul de țesătură și gradul de murdărie	Programe	Temperatură	Detergent		Aditiv înmuiere	Opțiune Albire / Decolorant	Durata programului (minute)	Descrierea programului de spălare
			Presp.	Spăl.				
<b>Bumbac</b>								
Albe extrem de murdare (cearceafuri, fețe de masă, etc.)	1	90°C	•	•	•		137	Prespălare, spălare, clătiri, turații de centrifugare intermediare și finale
Albe extrem de murdare (cearceafuri, fețe de masă, etc.)	2	90°C		•	•	Delicată / Tradiționale	120	Spălare, clătiri, turații de centrifugare intermediare și finale
Albe și colorate rezistente foarte murdare	3	60°C		•	•	Delicată / Tradiționale	105	Spălare, clătiri, turații de centrifugare intermediare și finale
Albe puțin murdare și culori delicate (cămăși, bluze, etc.)	4	40°C		•	•	Delicată / Tradiționale	72	Spălare, clătiri, turații de centrifugare intermediare și finale
Colorate delicate puțin murdare	5	30°C		•	•	Delicată / Tradiționale	65	Spălare, clătiri, turații de centrifugare intermediare și finale
<b>Sintetice</b>								
Culori rezistente foarte murdare (articole pentru noi născuți, etc.)	6	60°C		•	•	Delicată	77	Spălare, clătiri, antișifonare sau turație de centrifugare delicată
Culori rezistente (rufe de toate tipurile puțin murdare)	6	40°C		•	•	Delicată	62	Spălare, clătiri, antișifonare sau turație de centrifugare delicată
Culori rezistente foarte murdare (articole pentru noi născuți, etc.)	7	50°C		•	•	Delicată	73	Spălare, clătiri, antișifonare sau turație de centrifugare delicată
Culori delicate (rufe de toate tipurile puțin murdare)	8	40°C		•	•	Delicată	58	Spălare, clătiri, antișifonare sau turație de centrifugare delicată
Culori delicate (rufe de toate tipurile puțin murdare)	9	30°C		•	•		30	Spălare, clătiri și turație de centrifugare delicată
<b>Delicate</b>								
Lână	10	40°C		•	•	Delicată	50	Spălare, clătiri și turație de centrifugare delicată
Țesături foarte delicate (perdele, mătase, vâscoză, etc.)	11	30°C		•	•		45	Spălare, clătiri, antișifonare sau evacuare
<b>PROGRAME PARȚIALE</b>								
Clătire					•	•		Clătiri și turație de centrifugare
Clătire delicată					•	•		Clătiri, antișifonare sau evacuare apă
Turație de centrifugare								Evacuare apăși turație de centrifugare energetică
Turație de centrifugare delicată								Evacuare apăși turație de centrifugare delicată
Evacuare								Evacuare

## Note

Antișifonare-a se vedea „calcă mai ușor”, pagina alăturată. Datele specificate în tabel au valoare indicativă.

## Program special

*Zilnic 30'* (programul 9 pentru materiale sintetice) este studiat pentru a spăla rufe puțin murdare într-un interval scurt de timp: durează doar 30 de minute, economisindu-se totodată energie și timp. Selectând programul (9 la 30°C) este posibilă spălarea împreună a țesăturilor de diverse tipuri (excluse lâna și mătasea) cu o încărcătură maximă de 3 kg. *Se recomandă folosirea detergentului lichid.*



## Reglarea temperaturii

Apăsând butonul se vizualizează temperatura maximă permisă pentru programul selectat. Este posibilă reducerea acesteia apăsând butonul OFF- indică spălarea la rece. Reglarea temperaturii este activă cu toate programele de spălare.



## Reglarea turației de centrifugare

Apăsând butonul se vizualizează turația de centrifugare maximă permisă pentru programul selectat. Apăsând butonul, valorile se reduc până la OFF, care indică excluderea turației de centrifugare (apăsați din nou pentru a reveni la valoarea cea mai mare). Excluderea se semnalează prin simbolul . Reglarea turației de centrifugare este activă pentru toate programele cu excepția programului 11 și a evacuării.



## Opțiuni

Diferitele opțiuni de spălare prevăzute pentru mașina de spălat, permit obținerea unor rufe curate și a albirii dorite. Pentru selectarea diferitelor opțiuni trebuie efectuată aceeași procedură:

1. Cu ajutorul butonului MODE puteți activa opțiunile disponibile; simbolul aferent se va aprinde.
2. Pentru a le selecta, apăsați butonul SELECT, până când pe display va apărea scris ON (pentru Delay Timer va apărea durata: a se vedea tabelul de mai jos).
3. Confirmați alegerea apăsând din nou butonul MODE: pe display simbolul opțiunii se va stinge. Opțiunile selectate vor putea fi recunoscute pe display după chenarul care le încadrează.

Opțiune	Efect	Note pentru folosire	Activă cu programele:
<b>Delay Timer</b>	Întârzie pornirea mașinii cu până la 24 de ore.	Apăsați butonul <b>S</b> SELECT de mai multe ori până când va apărea durata de întârziere dorită. OFF indică faptul că nu a fost selectată nici o întârziere.	Toate
<b>Albire</b>	Program de albire adecvat pentru eliminarea petelor mai rezistente.	A se vărsa decolorantul în sertarul adițional 4 (a se vedea pag. 56) Nu este compatibil cu opțiunea CALCĂ MAI UȘOR.	2, 3, 4, 5, 6, 7, 8, 10, Clătiri.
<b>Calcă mai ușor</b>	Reduce pliurile la țesături facilitând călcarea.	Selectând această opțiune, programele 6, 7, 8, 11 și Clătire delicată se întrerup cu rufe la înmuiat (antișifonare) iar simbolul  va lumina intermitent: - pentru a completa programul, apăsați butonul START/RESET; - pentru a efectua doar evacuarea, poziționați selectorul în dreptul simbolului respectiv  și apăsați butonul START/RESET. Nu este compatibil cu opțiunea ALBIRE.	Toate cu excepția 1, 2, 9, 10, Evacuare
<b>Super Wash</b>	Permite o spălare impecabilă, evident îmbunătățită față de standardul în Clasa A.	Nu este compatibil cu opțiunea RAPID.	1, 2, 3, 4, 5, 6, 7, 8
<b>Rapid</b>	Reduce cu 30% durata programului de spălare.	Nu este compatibil cu opțiunea SUPER WASH.	1, 2, 3, 4, 5, 6, 7, 8
<b>Extra Clătire</b>	Mărește eficacitatea clătirii.	Se recomandă cu mașina plină sau cu doze mărite de detergent.	1, 2, 3, 4, 5, 6, 7, 8, Clătiri.

RO

Instalare

Descriere

Programe

Detergenți

Precauții

Întreținere

Anomalii

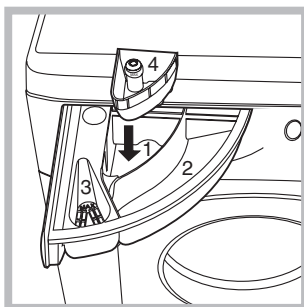
Asistență

# Detergenți și rufe albe

RO

## Sertarul detergenților

Un rezultat bun la spălare depinde și de dozarea corectă a detergentului: cu un exces de detergent nu se spală mai eficient, ci se contribuie la în crustarea părților interne ale mașinii de spălat și la poluarea mediului înconjurător.



Extrageți sertarul pentru detergenți și introduceți detergentul sau aditivul, după cum urmează:

### sertarul 1: Detergent pentru prespălare (sub formă de praf)

Înainte de a vărsa detergentul verificați ca sertarul adițional 4 să nu fie introdus.

### sertarul 2: Detergent pentru spălare (sub formă de praf sau lichid)

Detergentul lichid trebuie vărsat doar înainte de pornire.

### sertarul 3: Aditivi (soluție de înmuiat, etc.)

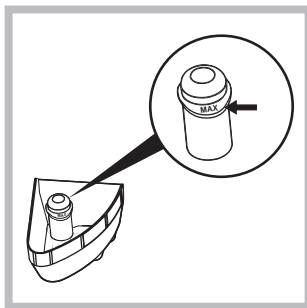
Soluția de înmuiat nu trebuie să depășească nivelul grătarului.

### sertar adițional 4: Decolorant



! Nu folosiți detergenți pentru spălare manuală, deoarece formează prea multă spumă.

## Program de albire

! Decolorantul **tradițional** se folosește pentru țesături rezistente albe, cel **delicat** pentru țesături colorate, sintetice și pentru lână.



Introduceți sertarul adițional 4, aflat în dotare, în sertarul 1. Când dozați decolorantul nu depășiți nivelul „max” indicat pe pivotul central (a se vedea figura).

Pentru efectuarea doar a decolorării, vărsați decolorantul în sertarul adițional 4, selectați programul Clătire  (pentru țesăturile din bumbac) sau Clătire delicată  (pentru țesăturile sintetice) și activați opțiunea Albire (a se vedea pag. 55).

Pentru albirea pe durata spălării, vărsați detergentul și aditivii, selectați programul dorit și activați opțiunea Albire (a se vedea pag. 55).

Folosirea sertarului adițional 4 exclude prespălarea. Mai mult, nu se poate efectua decolorarea cu programele 11 (Mătase) și Zilnic 30' (a se vedea pag. 54).

## Sortarea rufelor

- Subdivizați rufele în funcție de:
  - tipul de țesătură / simbolul de pe etichetă.
  - culori: separați rufele colorate de cele albe.
- Goliți buzunarele și controlați nasturii.
- Nu depășiți valorile indicate, referitoare la greutatea rufelor uscate:
  - Țesături rezistente: max 4,5 kg
  - Țesături sintetice: max 2,5 kg
  - Țesături delicate: max 2 kg
  - Lână: max 1 kg

## Cât cântăresc rufele?

- 1 cearceaf: 400-500 g.
- 1 față de pernă: 150-200 g.
- 1 față de masă: 400-500 g.
- 1 halat de baie: 900-1.200 g.
- 1 prosop: 150-250 g.

## Rufe deosebite

**Perdele:** împăturiți-le și așezați-le într-o față de pernă sau într-un sac de tip plasă. Spălați-le singure fără a depăși o jumătate din încărcătură. Folosiți programul 11 care exclude turația de centrifugare.

**Plăpumi și haine de vânt:** dacă căptușeala este din fulgi de gâscă sau de rață, se poate spăla în mașina de spălat doar câte un articol care să nu depășească o încărcătură maximă de 2-3 kg, repetând programul de clătire o dată sau de două ori și utilizând o turație de centrifugare delicată.

**Adidași și teniși:** curățați-i de noroi. Se pot spăla împreună cu blugii și cu lucrurile rezistente, însă nu cu rufele albe.

**Lână:** pentru a obține cele mai bune rezultate, folosiți un detergent specific și nu depășiți 1 kg de rufe.

## Woolmark Platinum Care (Cașmir Platinum)

### Delicat ca și spălarea manuală.



Ariston a introdus un standard nou de prestații superioare recunoscut de The Woolmark Company cu prestigioasa marcă Woolmark Platinum Care. Dacă pe obiectele de spălat găsiți logo-ul Woolmark Platinum Care, se pot spăla cu rezultate excelente lucrurile din lână prevăzute cu eticheta „Spălare manuală” (M.0303):



Selectați programul 10 pentru toate lucrurile prevăzute cu eticheta „Spălare manuală”, utilizând detergenți specifici.

! Mașina de spălat a fost proiectată și construită conform normelor internaționale de protecție. Aceste avertizări sunt furnizate din motive de siguranță și trebuie să fie citite cu atenție.

## Protecție generală

- Acest aparat a fost conceput pentru o folosire de uz casnic, nu profesională, iar funcțiile sale nu trebuie alterate.
- Mașina de spălat trebuie să fie folosită doar de persoane adulte și respectând instrucțiunile din acest manual.
- Nu atingeți mașina când sunteți desculți sau cu mâinile sau picioarele ude sau umede.
- Nu scoateți ștecherul din priza de curent trăgând de cablu, ci trăgând de ștecher.
- Nu deschideți sertarul detergenților în timp ce mașina se află în funcțiune.
- Nu atingeți apa provenită din evacuare, care poate atinge temperaturi ridicate.
- Nu forțați în nici un caz hubloul: s-ar putea deteriora mecanismul de siguranță care protejează împotriva deschiderilor accidentale.
- În cazul defecțiunilor, nu interveniți în nici un caz în mecanismele interne pentru a încerca să reparați mașina de spălat.
- Controlați mereu ca în apropierea mașinii aflate în funcțiune să nu se afle copii.
- Pe durata spălării hubloul are tendința de a se încălzi.
- Dacă mașina trebuie să fie deplasată, faceți acest lucru în două sau trei persoane, cu maximă atenție. Niciodată nu deplasați mașina singuri deoarece aceasta este foarte grea.
- Înainte de a introduce rufe, controlați ca în interior să fie goală.

## Aruncarea reziduurilor

- Aruncarea materialelor de ambalare: respectați normele locale, în acest fel ambalajele vor putea fi reutilizate.

- Aruncarea mașinii vechi de spălat : înainte de a o arunca, faceți-o inutilizabilă, tăindu-i cablul de alimentare electrică și scoțându-i hubloul.

## Protecția și respectarea mediului înconjurător

### Tehnologia la dispoziția mediului înconjurător

Dacă prin hubloul se vede puțină apă este pentru că, datorită noii tehnologii Ariston, este suficientă mai puțin de jumătate de cantitate de apă pentru a obține o curățare maximă: un scop atins pentru respectarea mediului înconjurător.

### Economisirea de detergent, apă, energie și timp

- Pentru a economisi detergent, apă, timp folosiți încărcătura maximă.  
O încărcare totală în locul a două jumătăți, permite economisirea de până la 50% energie electrică.
- Prespălarea este necesară doar pentru rufe foarte murdare. Evitarea acesteia permite economisirea de detergent, timp, apă și între 5 și 15% energie electrică.
- Tratând petele cu o substanță pentru îndepărtarea acestora și lăsându-le la înmuiat înainte se spălare, se reduce necesitatea de a spăla la temperaturi mari. Un program la 60°C în locul unuia la 90°C sau unul la 40°C în locul unuia la 60°C, permit economisirea de până la 50% energie electrică.
- Dozați bine detergentul în funcție de duritatea apei, de gradul de murdărie și de cantitatea de rufe, pentru a evita risipe și pentru a proteja mediul înconjurător: deși sunt biodegradabili, detergenții conțin elemente care alterează echilibrul naturii. Mai mult, evitați pe cât posibil aditivul de înmuiere.
- Efectuând spălări începând de seara și până la primele ore ale dimineții, se colaborează pentru reducerea sarcinii de absorbire a întreprinderilor electrice. Opțiunea "Delay Timer" (a se vedea pag. 55) contribuie la organizarea spălărilor în acest sens.
- Dacă rufe trebuie uscate într-un uscător, selectați o turație mare de centrifugare. Cantitatea redusă de apă permite economisirea de timp și energie electrică la programul de uscare.

RO

Instalare

Descriere

Programe

Detergenți

Precauții

Întreținere

Anomalii

Asistență

# Întreținere și îngrijire

RO

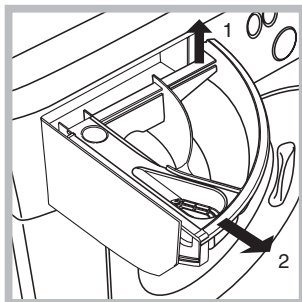
## Oprirea apei și a curentului electric

- Închideți robinetul de apă după fiecare spălare. Se limitează astfel uzarea instalației hidraulice a mașinii de spălat și se elimină pericolul scurgerilor.
- Scoateți ștecherul din priza de curent atunci când curățați mașina de spălat și când se efectuează lucrări de întreținere.

## Curățarea mașinii de spălat

Partea externă și părțile din cauciuc pot fi curățate cu o cârpă înmuiată în apă caldă și săpun. Nu folosiți solvenți sau substanțe abrazive.

## Curățarea sertarului pentru detergenți



Scoateți sertarul ridicându-l și trăgându-l spre exterior (a se vedea figura):  
Spălați-l cu apă; această curățare trebuie efectuată frecvent.

## Îngrijirea hubloului și a cuvei

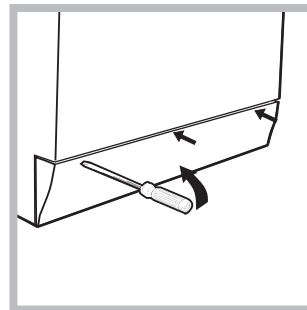
- Lăsați mereu hubloul întredeschis pentru a evita formarea mirosurilor neplăcute.

## Curățarea pompei

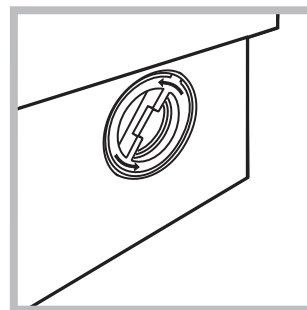
Mașina de spălat este echipată cu o pompă autocurățătoare care nu necesită întreținere. Se poate întâmpla însă ca obiecte mici (monede, nasturi) să cadă în precamera care protejează pompa, situată în partea inferioară a acesteia.

! Verificați ca programul de spălare să se fii încheiat și scoateți din priză.

Pentru a avea acces la precameră, procedați astfel:



1. scoateți panoul de acoperire de pe latura anterioară a mașinii de spălat folosindu-vă de o șurubelniță (a se vedea figura):



2. deșurubați capacul rotindu-l în sens invers (a se vedea figura): este normal să curgă puțină apă;

3. curățați cu grijă interiorul;
4. montați din nou capacul;
5. montați din nou panoul verificând, înainte de a-l împinge spre mașină, de a fi introdus cârligele în orificiile respective.

## Controlarea furtunului de alimentare cu apă

Controlați furtunul de alimentare cel puțin o dată pe an. Dacă prezintă crăpături sau fisuri trebuie înlocuit: pe parcursul spălărilor, presiunile puternice ar putea provoca crăpături neașteptate.

! Nu folosiți furtunuri deja folosite.

Se poate întâmpla ca mașina de spălat să nu funcționeze. Înainte de a telefona la Asistență (a se vedea pag. 60), verificați dacă această problemă nu poate fi remediată de dvs., astfel:


## Anomalii:

## Cauze posibile / Rezolvare:

### Mașina de spălat nu pornește.

- Ștecherul nu este introdus sau nu a fost suficient introdus în priză de curent astfel încât să existe conexiune electrică.
- În casă nu este curent electric.

### Programul de spălare nu poate fi activat.

- Hubloul nu este bine închis (pe display se vizualizează scris DOOR).
- Butonul  nu a fost apăsat.
- Butonul START/RESET nu a fost apăsat.
- Robinetul de apă nu este deschis
- A fost fixată o întârziere de pornire (Delay Timer, a se vedea pag. 55).

### Mașina de spălat nu încarcă apă (Pe display este vizualizat scris H<sub>2</sub>O).

- Furtunul de alimentare cu apă nu este conectat la robinet.
- Furtunul este îndoit.
- Robinetul de apă nu este deschis
- În casă lipsește apa.
- Nu este presiune suficientă.
- Butonul START/RESET nu a fost apăsat.

### Mașina de spălat încarcă și evacuează apă încontinuu.

- Furtunul de evacuare nu a fost instalat la o distanță cuprinsă între 65 și 100 cm de pământ (a se vedea pag. 51).
- Extremitatea furtunului de evacuare este cufundată în apă (a se vedea pag. 51).

Dacă după aceste verificări problema nu se rezolvă, închideți robinetul de apă, opriți mașina de spălat și chemați Asistența. Dacă locuința se află la ultimele etaje ale unui edificiu, este posibil să aibă loc fenomene de sifonare, motiv pentru care mașina de spălat încarcă și evacuează apă încontinuu. Pentru a elimina acest inconvenient, se găsesc în comerț supape anti-sifonare.

### Mașina de spălat nu evacuează sau nu stoarce.

- Programul nu prevede evacuarea apei: cu unele programe este necesar să se pornească manual (a se vedea pag. 54).
- Este activă opțiunea "Calcă mai ușor": pentru a completa programul apăsați butonul START/RESET (a se vedea pag. 55).
- Furtunul de evacuare este îndoit (a se vedea pag. 51).
- Conducta de evacuare este înfundată.

### Mașina de spălat vibrează foarte mult pe durata turației de centrifugare.

- Cuva, în momentul instalării, nu a fost deblocată în mod corect (a se vedea pag. 50).
- Mașina de spălat nu este poziționată în plan orizontal (a se vedea pag. 50).
- Mașina de spălat este fixată foarte puternic între mobilă și zid (a se vedea pag. 50).

### Mașina de spălat pierde apă.

- Furtunul de alimentare cu apă nu este bine înșurubat (a se vedea pag. 50).
- Sertarul detergentilor este înfundat (pentru a-l curăța, a se vedea pag. 58).
- Furtunul de evacuare nu este bine fixat (a se vedea pag. 51).

### Se formează prea multă spumă.

- Detergentul nu este specific pentru mașina de spălat (trebuie să fie scris „pentru mașina de spălat”, „de mână sau în mașina de spălat”, sau ceva asemănător).
- Dozajul a fost excesiv.

RO

Instalare

Descriere

Programe

Detergenți

Precauții

Întreținere

Anomalii

Asistență



**Înainte de a lua legătura cu Asistența:**

- Verificați dacă anomalia poate fi remediată de dvs. (*a se vedea pag. 59*);
- Porniți din nou programul pentru a controla dacă inconvenientul a fost eliminat;
- În caz contrar, luați legătura cu asistența tehnică autorizată la numărul telefonic indicat pe certificatul de garanție.

! Nu apelați niciodată la tehnicieni neautorizați.

**Comunicați:**

- tipul de anomalie;
- modelul mașinii (Mod.);
- numărul de serie (S/N).

Aceste informații se află pe eticheta autocolantă aplicată în partea posterioară a mașinii de spălat.

**HU**

Magyar

AVSD 109

### Összefoglalás

#### Üzembehelyezés, 62-63

Kicsomagolás és vízszintbe állítás, 62

Víz és elektromos csatlakozás, 62-63

Első mosási ciklus, 63

Műszaki adatok, 63

#### Mosógép leírása, 64-65

Vezérlőpanel, 64

Kijelző, 65

#### Indítás és Programok, 66

Röviden: egy program elindítása, 66

Programtáblázat, 66

#### Program módosítások, 67

Hőmérséklet beállítása, 67

Centrifugálás beállítása, 67

Opciók, 67

#### Mosószerek és mosandók, 68

Mosószeraadagoló fiók, 68

Fehérítő ciklus, 68

Mosandó ruhák előkészítése, 68

Különleges bánásmódot igénylő darabok, 68

Woolmark Platinum Care (Kasmir Platinum), 68

#### Óvintézkedések és tanácsok, 69

Általános biztonság, 69

Hulladékelhelyezés, 69

Környezetvédelem, 69

#### Karbantartás és törődés, 70

A víz elzárása és az elektromos áram kikapcsolása, 70

A mosógép tisztítása, 70

A mosószertartó tisztítása, 70

Az ajtó és a forgódob gondozása, 70

A szivattyú tisztítása, 70

A vízbevezető cső ellenőrzése, 70

#### Rendellenességek és elhárításuk, 71

#### Szerviz, 72

Mielőtt a Szervizhez fordulna, 72

# Üzembehelyezés

HU

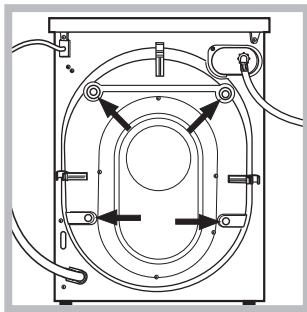
! E kézikönyv megőrzése azért fontos, hogy bármikor elővehesse, és megnézhesse. Ha a mosógépet eladná, átadná vagy másnál helyezné el, gondoskodjon arról, hogy e használati utasítás a géppel együtt maradjon, hogy az új tulajdonos is megismerhesse a mosógép funkcióit és az ezekre vonatkozó figyelmeztetéseket.

! Figyelmesen olvassa el az utasításokat: fontos információkat tartalmaznak az üzembehelyezésről, a használatról és a biztonságról.

## Kicsomagolás és vízszintbe állítás

### Kicsomagolás

1. Csomagolja ki a mosógépet.
2. Ellenőrizze, hogy a mosógép nem sérült-e meg a szállítás során. Ha a gépen sérülést talál, ne csatlakoztassa, és forduljon a készülék eladójához.



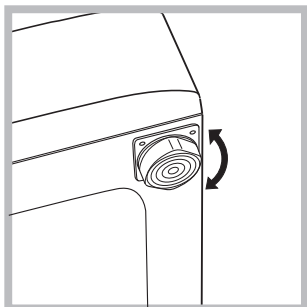
3. Távolítsa el a hátoldalon található, a szállításhoz felszerelt 4 védőcsavart, valamint a gumit a hozzá tartozó távtartóval (lásd ábra).

4. A furatokat zárja le a tartozékként kapott műanyag dugókkal.
5. Minden darabot őrizzen meg: ha a mosógépet szállítani kell, előtte ezeket vissza kell szerelni.

! A csomagolóanyag nem gyermekjáték

### Vízszintezés

1. A mosógépet sík és kemény padlóra állítsa, úgy, hogy ne érjen falhoz, bútorhoz vagy másához.

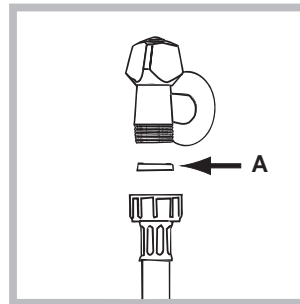


2. Ha a padló nem tökéletesen vízszintes, az első lábak be-, illetve kicsavarásával kompenzálhatja azt (lásd ábra). A dőlés a gép felső burkolatán mérve nem lehet több, mint 2°.

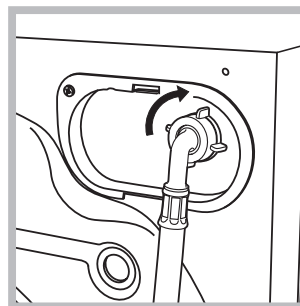
A pontos vízszintezés biztosítja a gép stabilitását, így az a működés során nem fog vibrálni, zajt okozni vagy elmozdulni. Szőnyegpadló vagy szőnyeg esetén a lábakat úgy állítsa be, hogy a mosógép alatt elegendő hely maradjon a szellőzésre.

## Víz és elektromos csatlakozás

### Vízbevezető cső csatlakoztatása



1. Illessze az A tömitést a vízbevezető cső végére és csavarozza fel a 3/4"-os külső menettel rendelkező hidegvíz csapra (lásd ábra). A csatlakoztatás előtt eresszen ki a csapból vizet addig, amíg a víz teljesen átlátszóvá nem válik.



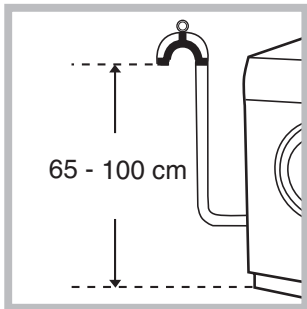
2. Csatlakoztassa a vízbevezető csövet a mosógéphez úgy, hogy azt a hátul jobboldalon fent lévő vízbemeneti csonkra csavarozza (lásd ábra).

3. Ügyeljen arra, hogy a csövön ne legyen törés vagy szűkület.

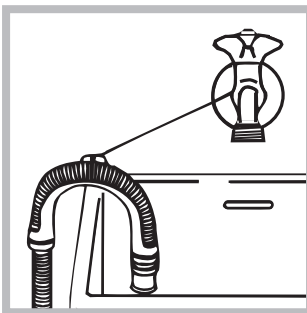
! A csapnál a víznyomásnak a Műszaki adatok táblázatban szereplő határértékek között kell lennie (lásd a szemben lévő oldalt).

! Amennyiben a vízbevezető cső nem elég hosszú, forduljon szakülethez vagy megbízott szakemberhez.

### A leeresztőcső csatlakoztatása



A leeresztőcsövet csatlakoztassa lefolyóhoz vagy a padlótól 65 és 100 cm közötti magasságban lévő fali lefolyószifonhoz anélkül, hogy megtörnén,



vagy akassza a mosdó vagy a kád szélére úgy, hogy a tartozékok között lévő vezetőt a csaphoz erősíti (lásd ábra). A leeresztőcső szabad végének nem szabad vízbe merülnie.

! Toldások használata nem javasolt. Amennyiben feltétlenül szükséges, a toldás átmérője egyezzen meg az eredeti csőével, és semmiképpen se legyen 150 cm-nél hosszabb.

### Elektromos bekötés

Mielőtt a csatlakozódugót az aljzatba dugná, bizonyosodjon meg arról, hogy:

- az aljzat földelése megfelel a törvény által előírtak;
- az aljzat képes elviselni a gép Műszaki adatait tartalmazó táblázatban megadott maximális teljesítményfelvételt (lásd szemben);
- a hálózat feszültsége a Műszaki adatokat tartalmazó táblázatban szereplő értékek közé esik (lásd szemben);
- Az aljzat legyen kompatibilis a gép csatlakozódugójával. Ellenkező esetben cserélje ki az aljzatot vagy a csatlakozódugót.

! A mosógép nem állítható fel nyílt téren, még akkor sem, ha a tér tetővel van fedve, mert nagyon veszélyes, ha a gép esőnek vagy zivataroknak van kitéve.

! A csatlakozódugónak könnyen elérhető helyen kell lennie akkor is, amikor a gép már a helyén áll.

! Ne használjon hosszabbítót vagy elosztót.

! Ne legyen a kábel megtörve vagy összenyomva.



! A hálózati kábelt csak megbízott szakember cserélheti.

Figyelem! A gyártó minden felelősséget elhárít, amennyiben a fenti előírásokat figyelmen kívül hagyják.

### Első mosási ciklus

Üzembehelyezés után, mielőtt a mosógépet használni kezdené, végezzen egy 90°-os előmosás nélküli mosást mosóporral de mosandó ruha nélkül.

### Műszaki adatok

<b>Modell</b>	AVSD 109
<b>Méret</b>	szélesség 59,5 cm magasság 85 cm mélység 40 cm
<b>Ruhátöltet:</b>	1-től 4,5 kg-ig
<b>Elektromos csatlakozás</b>	feszültség 220/230 Volt 50 Hz maximális felvett teljesítmény 1850 W
<b>Vízcsatlakozások</b>	maximális nyomás 1 MPa (10 bar) minimális nyomás 0,05 MPa (0,5 bar) dob úrtartalma 40 liter
<b>Centrifuga fordulatszám</b>	1000 fordulat/perc-ig
<b>IEC456 szabvány Szerinti vezérlőprogramok</b>	3-as program; hőmérséklet 60°C; 4,5 kg ruhatöltettel végezve.
	Ez a berendezés megfelel a következő Uniói Előírásoknak: - 73/02/19-i 73/23/CEE előírás (Alacsony feszültség) és annak módosításai - 89/05/03-i 89/336/CEE előírás (Elektromágneses összeférhetőség) és annak módosításai - 2002/96/CE
	

HU

Üzembehelyezés

Leírás

Programok

Mosószerek

Övintézkedések

Karbantartás

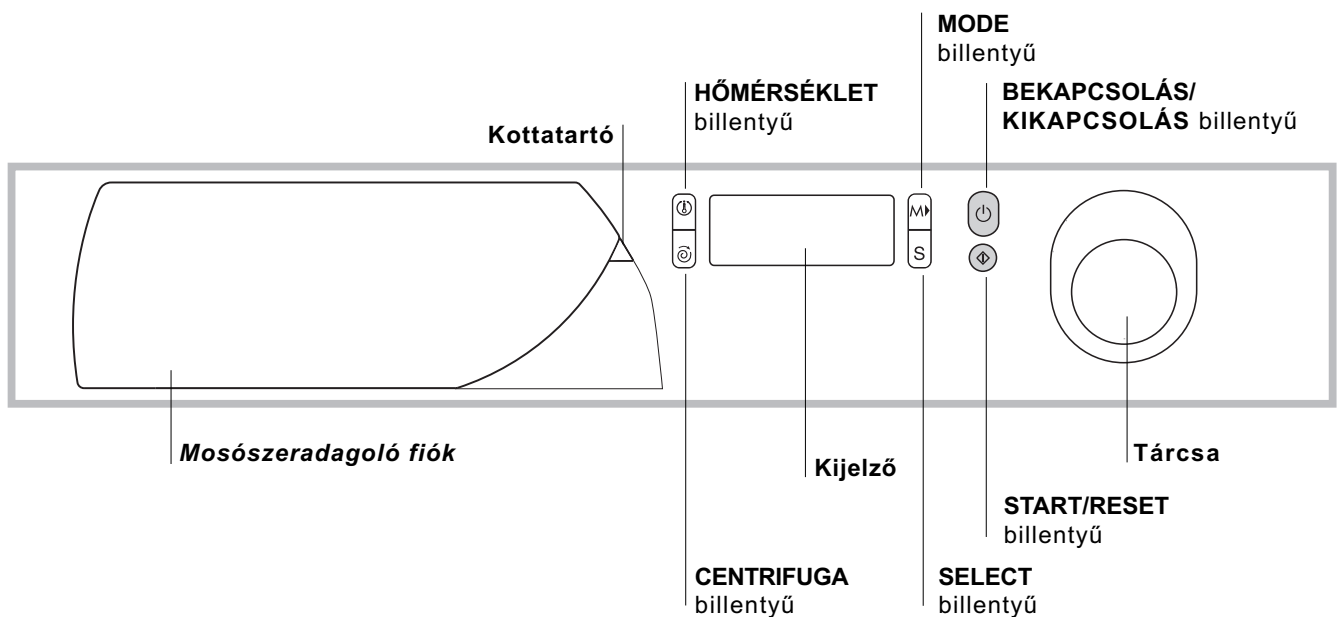
Rendellenségek

Szerviz

# A mosógép leírása

## Vezérlőpanel

HU



**Mosószeradagoló fiók** a mosószerek és adalékszerek betöltésére (lásd 68. oldal).

**Kottatartó**, hogy a programok összefoglaló vázlatát bármikor megnézhesse: a szürke nyelvet kifelé húzva nyílik.

**HŐMÉRSÉKLET** billentyű a mosás hőmérsékletének módosítására (lásd 67. oldal).

**CENTRIFUGA** billentyű a centrifugálás fordulatszámának beállítására illetve a centrifugálás kikapcsolására (lásd 67. oldal).

**Kijelző** a mosógép programozására és a mosási ciklusok előrehaladásának ellenőrzésére (lásd szemben lévő oldal).

**MODE** billentyű a programmódosító opciók kiválasztására (lásd 67. oldal).

**SELECT** billentyű a programmódosító opciók beállítására (lásd 67. oldal).

**BEKAPCSOLÁS/KIKAPCSOLÁS** billentyű a mosógép be- illetve kikapcsolására.

**START/RESET** billentyű a program elindítására vagy a hibás beállítás törlésére.

**Tárcsa** a programok kiválasztására. A tárcsa benyomható: könnyedén nyomja meg a közepét, és kiugrik. A program során a tárcsa nem mozog.

## Kijelző

Azon túl, hogy hasznos eszköz a gép programozásához (lásd 67. oldal), a kijelző fontos információkat nyújt a mosóciklusokról és azok előrehaladásáról.



Az után, hogy a program elindításához megnyomta a START/RESET billentyűt, a kijelzőn a ciklus végéig hátralévő idő látható. Abban az esetben, ha az indító órán késleltetés van beállítva (Késleltetés időzítő, lásd 67. oldal) ezt megjeleníti.

A mosóciklus során kijelzi:

### A folyamatban lévő fázis:

Előmosás	Centrifuga
Mosás	
Öblítés	Szimbólum nincs bekapcsolva.

### Kiválasztott kelme:

Pamut	Gyapjú
Színes anyagok	Selyem
Szintetikus anyagok	

### Programmódosító opciók:

A bekapcsolt opciókat keretezés jelzi. Az opciók kiválasztásához lásd a 67. oldalt.

Nem bekapcsolt opció.



### Ajtózár:

A világító jelzőlámpa jelöli, hogy az ajtó reteszelve van a véletlen kinyitás megakadályozására. A károk elkerülése érdekében meg kell várni, hogy a jelzőlámpa kialudjon, mielőtt megpróbálná az ajtót kinyitni. Ez a modell olyan berendezéssel rendelkezik, amely lehetővé teszi az ajtó nyitását a program első fázisának során is. Ez akkor lehetséges, ha a szimbólum nem világít.


A program végén az END felirat jelenik meg.


! Rendellenes működés esetén a hiba kódja jelenik meg, például: F-01, amit a Szervizzel közölni kell (lásd 72. oldal).

# Indítás és Programok



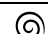
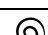
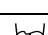
HU

## Röviden: egy program elindítása

1. Az  billentyű megnyomásával kapcsolja be a mosógépet.
2. Rakja be a mosandó ruhát, és csukja be az ajtót.
3. A tárcsával válassza ki a kívánt programot. A kijelzőn a becsült idő jelenik meg. A hőmérsékletet és a centrifugálást a program alapján automatikusan beállítja (a módosításhoz lásd a 67. oldalt).

4. Töltse be a mosószert és az adalékokat (lásd 68. oldal).
5. A START/RESET billentyű megnyomásával indítsa el a programot.  
A törléshez tartsa nyomva a START/RESET billentyűt legalább 2 másodpercen keresztül.
6. A program végén az END felirat jelenik meg. Vegye ki a mosott ruhát, és resre hagyja nyitva az ajtót, hogy a dob kiszáradhasson.
7. Az  billentyűvel kapcsolja ki a mosógépet.

## Programtáblázat

Kelmék és a szennyeződés természete	Programok	Hőmérséklet	Mosószer		Öblítőszer	Fehérités / Fehéritőszer opció	Ciklus időtartama (perc)	Mosóciklus leírása
			Előmosás	Mosás				
<b>Pamut</b>								
Különösen szennyezett fehér anyagok (lepedő, asztalterítő, stb.)	1	90°C	•	•	•		137	Előmosás, mosás, öblítések, köztes és végső centrifugálások
Különösen szennyezett fehér anyagok (lepedő, asztalterítő, stb.)	2	90°C		•	•	Kíméletes / Hagyományos	120	Mosás, öblítések, köztes és végső centrifugálások
Nagyon szennyezett tartós fehér és színes anyagok	3	60°C		•	•	Kíméletes / Hagyományos	105	Mosás, öblítések, köztes és végső centrifugálások
Kevésbé szennyezett fehér és kényes színes anyagok (ingek pulóverek, stb.)	4	40°C		•	•	Kíméletes / Hagyományos	72	Mosás, öblítések, köztes és végső centrifugálások
Kevésbé szennyezett kényes színes anyagok	5	30°C		•	•	Kíméletes / Hagyományos	65	Mosás, öblítések, köztes és végső centrifugálások
<b>Szintetikus anyagok</b>								
Nagyon szennyezett tartós színes anyagok (csecsemőruházat, stb.)	6	60°C		•	•	Kíméletes	77	Mosás, öblítések, gyűrődésgátlás vagy kíméletes centrifugálás
Tartós színes anyagok (mindenfajta enyhén szennyezett ruházat)	6	40°C		•	•	Kíméletes	62	Mosás, öblítések, gyűrődésgátlás vagy kíméletes centrifugálás
Nagyon szennyezett tartós színes anyagok (csecsemőruházat, stb.)	7	50°C		•	•	Kíméletes	73	Mosás, öblítések, gyűrődésgátlás vagy kíméletes centrifugálás
Kényes színes anyagok (mindenfajta enyhén szennyezett ruházat)	8	40°C		•	•	Kíméletes	58	Mosás, öblítések, gyűrődésgátlás vagy kíméletes centrifugálás
Kényes színes anyagok (mindenfajta enyhén szennyezett ruházat)	9	30°C		•	•		30	Mosás, öblítések és kíméletes centrifugálás
<b>Kényes anyagok</b>								
Gyapjú	10	40°C		•	•	Kíméletes	50	Mosás, öblítések és kíméletes centrifugálás
Nagyon kényes kelmék (függönyök, selyem, viszkóz, stb.)	11	30°C		•	•		45	Mosás, öblítések, gyűrődésgátlás vagy szivattyúzás
<b>RÉSZLEGES PROGRAMOK</b>								
Öblítés					•	•		Öblítések és centrifugálás
Kíméletes öblítés					•	•		Öblítések, gyűrődésgátlás vagy szivattyúzás
Centrifugálás								Szivattyúzás és erős centrifugálás
Kíméletes centrifugálás								Szivattyúzás és kíméletes centrifugálás
Szivattyúzás								Szivattyúzás

## Megjegyzések

A gyűrődésgátlás leírásához: lásd Vasalj kevesebbet, szemben lévő oldal. A táblázatban szereplő értékek tájékoztató jellegűek.

## Speciális program

*Napközbeni 30'* (9-es program szintetikus anyagokhoz) programot kevésbé szennyezett ruhák gyors mosására fejlesztettük ki: mindössze 30 percig tart, így energiát és időt takarít meg. A 9-es programot 30°C hőmérsékletre beállítva különböző jellegű anyagokat együttesen lehet mosni (kivéve gyapjú és selyem), maximum 3 kg-os töltéssel. *Folyékony mosószer használatát javasoljuk.*



# Program módosítások



## Hőmérséklet beállítása

Az billentyű megnyomásakor kijelzi a kiválasztott programhoz beállítható maximális hőmérsékletet. A billentyű megnyomásával ez csökkenthető. Az OFF hidegvizes mosást jelent. A beállított hőmérséklet minden mosóprogramra érvényes.



## Centrifugálás beállítása

Az billentyű megnyomásakor kijelzi a kiválasztott programhoz beállítható maximális centrifugálási fordulatszámot. A billentyű megnyomásával a fordulatszámot egészen OFF-ig (ami a centrifugálás kikapcsolását jelenti) lehet csökkenteni. A legnagyobb értékre történő visszatéréshez még egyszer nyomja meg a billentyűt. A kikapcsolt állapotot az szimbólum jelzi. A beállított centrifugálási fordulatszám minden programra érvényes, kivéve a 11-est és a Szivattyúzást.



## Opciók

A mosógép által nyújtott különféle opciók lehetővé teszik a kívánt tisztítás és fehérség elérését. A különféle opciók kiválasztásához mindig ugyanazt az eljárást kell követni:

1. A MODE billentyűvel végig lehet lépkedni a különféle lehetséges opciókon: a bekapcsolás szimbóluma villogni fog.
  2. A beállításhoz nyomja a SELECT billentyűt addig, amíg a kijelzőn az ON felirat meg nem jelenik (a Késleltető időzítőnél az idő jelenik meg: *lásd az alábbi táblázatot*).
  3. A kiválasztást erősítse meg a MODE billentyű újbóli megnyomásával: a kijelzőn az opció szimbóluma abbahagyja a villogást.
- A kiválasztott opciók a kijelzőn az őket körülvevő keretről ismerhetők fel.

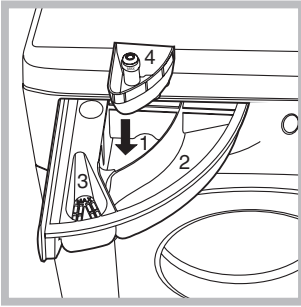
Opció	Hatás	Megjegyzések a használathoz	A következő programokkal működik:
<b>Késleltető időzítő</b>	Késlelteti a gép indítását max. 24 órát.	Nyomja meg a <b>S</b> billentyűt (SELECT billentyű) többször, addig, amíg a kívánt késleltetés meg nem jelenik. Az OFF azt jelenti, hogy nincs késleltetés.	<b>Mindegyik</b>
<b>Fehérités</b>	A fehérités ciklus a legmakacsabb foltok eltávolítására alkalmas.	Ne felejtse al a fehéritőszert a 4-es berakható tartályba tölteni ( <i>lásd 68. oldal</i> ). Nem fér össze a VASALJ KEVESEBBET opcióval.	<b>2, 3, 4, 5, 6, 7, 8, 10, Öblítések.</b>
<b>Vasalj kevesebbet</b>	Csökkenti az anyagok gyűrését, ezzel könnyítve a vasalást.	Ezen opciót beállítva a 6-os, 7-es, 8-as, 11-es programok és a kíméletes öblítés félbeszakad úgy, hogy a mosott ruha az öblítővízben marad (Gyűrődésgátlás), és az  ikon villog; - a ciklus befejezéséhez nyomja meg a START/RESET billentyűt; - ha csak le akarja szivattyúzni a vizet, a tárcsát állítsa a szivattyúzás szimbólumára , és nyomja meg a START/RESET billentyűt. Nem fér össze a FEHÉRÍTÉS opcióval.	<b>Mindegyik, kivéve: 1, 2, 9, 10, Szivattyúzás.</b>
<b>Super Wash</b>	Az A Osztályban szabványosnál láthatóan fehérebb, makulátlan tisztaság elérését teszi lehetővé.	Nem fér össze a GYORS opcióval	<b>1, 2, 3, 4, 5, 6, 7, 8</b>
<b>Gyors</b>	Nagyjából 30%-kal csökkenti a mosási ciklus idejét.	Nem fér össze a SUPER WASH opcióval.	<b>1, 2, 3, 4, 5, 6, 7, 8</b>
<b>Extra Öblítés</b>	Növeli az öblítés hatékonyságát.	A mosógép teljes töltése esetén vagy nagymennyiségű mosószeraadagolás esetén javasolt.	<b>1, 2, 3, 4, 5, 6, 7, 8, Öblítések.</b>

# Mosószerek és mosandók

HU

## Mosószera adagoló fiók

A mosás eredményessége függ a mosószert helyes adagolásától is: ha túl sokat adagol belőle, a mosás nem lesz hatékonyabb, de hozzájárul ahhoz, hogy lerakódás képződjön a mosógépben, valamint a környezetet is jobban szennyezi.



Húzza ki a mosószera adagoló fiókot, és a következőképpen tegye bele a mosószert vagy az adalékot.

### 1-es tartály: Mosószert előmosáshoz (por)

A mosószert betöltése előtt győződjön meg arról, hogy a 4-es berakható tartály nincs fiókban.

### 2-es tartály: Mosószert mosáshoz (por vagy folyadék)

A folyékony mosószert csak az indítás előtt lehet betölteni.

### 3-as tartály: Adalékok

(öblítőszer, illatosítók, stb.)

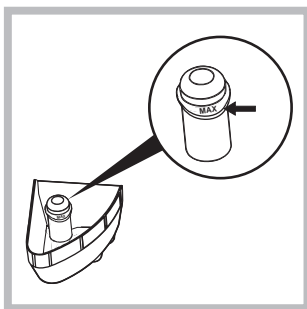
Az öblítőszer ne érjen a rács fölé.

### 4-es berakható tartály: Fehérítőszer

! Ne használjon kézimosószert, mert túlzottan sok hab képződik.

## Fehérítő ciklus

! A hagyományos fehérítést tartós fehér ruhákhoz, a kíméletest pedig színes, szintetikus vagy gyapjú anyagokhoz használjuk.



Tegye be a 4-es berakható tartályt az 1-es rekeszbe. A fehérítőszer betöltése közben vigyázzon arra, hogy az a központi csapon jelzett "max" szintet ne haladja meg (lásd ábra).

Ha csak fehérítést akar végezni, öntse a fehérítőszer a 4-es berakható tartályba, és állítsa be az Öblítés programot (pamut anyagokhoz) vagy a Kíméletes öblítés programot (szintetikus anyagokhoz) és kapcsolja be a Fehérítés opciót (lásd 67. oldal). Ha a mosás során akar fehéríteni, töltsse be a mosószert és az adalékokat, állítsa be a kívánt programot, és kapcsolja be a Fehérítés opciót (lásd 67. oldal).

A 4-es berakható tartály használata kizárja az előmosást. Ezen kívül nem lehet fehérítést végezni a 11-es (Selyem) és a Napközbeni 30'-es programmal (lásd 66. oldal).

## Mosandó ruhák előkészítése

- Osztályozza a mosandókat a következők szerint:
  - kelme típusa / címkén lévő szimbólum.
  - színek: válogassa külön a színes ruhákat a fehérektől.
- Ūrítse ki a zsebeket, és vizsgálja meg a gombokat.
- Ne lépje túl a mosandók száraz súlyára vonatkozóan megadott értékeket:
  - Tartós anyagok: max. 4,5 kg
  - Szintetikus anyagok: max. 2,5 kg
  - Kényes anyagok: max. 2 kg
  - Gyapjú: max. 1 kg

### Milyen nehezek a mosandó ruhák?

- 1 lepedő 400-500 g.
- 1 párnahuzat 150-200 g.
- 1 asztalterítő 400-500 g.
- 1 fürdőköpeny 900-1200 g.
- 1 törülköző 150-250 g.

## Különleges bánásmódot igénylő darabok

**Függönyök:** hajtogatva tegye párnahuzatba (vászonzsákba) vagy hálós zacskóba. Külön mossa őket, és ne lépje túl a fél töltésnyi mennyiséget. használja a 11-es programot, amelyik automatikusan kikapcsolja a centrifugálást.

**Toll/pehely ágyneműk és tollkabátok:** ha a benne lévő liba vagy kacsatoll mosógépben mosható. Fordítsa ki a darabokat, és egyszerre legfeljebb 2-3 kg-nyit mosson úgy, hogy egyszer vagy kétszer megismétli az öblítést, és kíméletes centrifugálást használ.

**Teniszcipők:** tisztítsa meg a sártól. Együtt moshatók a farmer és más tartós anyagokkal, de nem a fehér ruhadarabokkal.

**Gyapjú:** a legjobb eredmény elérése érdekében használjon speciális mosószert (gyapjúmosószert), és ne lépje túl az 1 kg ruhatöltetet.

## Woolmark Platinum Care (Kasmir Platinum)



### Kímélő, mint a kézi mosás.

Az Ariston új, igényesebb szabványt vezetett be, amit a The Woolmark Company az értékes Woolmark Platinum Care márkajelzéssel ismert el. Ha a mosógépen a Woolmark Platinum Care logó látható, kitűnő eredménnyel moshatók benne az olyan gyapjú ruhadarabok is, amelyek címkéjén a „Kézzel mosandó” megjelölés olvasható (M.0303):  
!Az összes „Kézzel mosandó” ruhadarabhoz a 10-es programot állítsa be, és használjon speciális mosószert.

! A mosógépet a nemzetközi biztonsági szabványoknak megfelelően tervezték és gyártották. Ezeket a figyelmeztetéseket biztonsági okokból írjuk le, és figyelmesen el kell olvasni őket.

## Általános biztonság

- Ezt a készüléket egyfajta háztartási és nem professzionális használatra tervezték, és a funkcióit megváltoztatni nem szabad.
- A mosógépet csak felnőtt használhatja, és csak az e használati utasításban megadott utasítások szerint.
- Ne érjen a géphez mezítláb, illetve vizes vagy nedves kézzel vagy lábbal.
- A csatlakozódugót az aljzatból ne a kábelt, hanem a csatlakozót fogva húzza ki.
- Ne nyissa ki a mosószeradagoló fiókot, ha a mosógép működik.
- Ne nyúljon a leeresztett vízbe, mert forró lehet.
- Semmiképpen ne feszegesse az ajtót: megsérülhet a véletlen nyitást akadályozó biztonsági retesz.
- Hiba esetén semmiképpen se nyúljon a gép belső részeihez, és ne próbálja megjavítani.
- Mindig ügyeljen arra, hogy gyerekek ne mehessenek a működő gép közelébe.
- A mosás során az ajtó meleg lehet.
- Amennyiben a gépet át kell helyezni, két vagy három személy végezze, maximális figyelemmel. Soha sem egyedül, mert a gép nagyon súlyos.
- A mosandó berakása előtt ellenőrizze, hogy a forgódob üres legyen.

## Hulladékelhelyezés

- Csomagolóanyag megsemmisítése: tartsa be a helyi előírásokat, így a csomagolás újrahasznosítható.
- Az elektromos készülékek megsemmisítéséről szóló európai direktíva 2002/96/EC előírja, hogy a régi háztartási gépeket nem szabad a normál nem szelektív hulladékgyűjtési folyamat során összegyűjteni. A régi gépeket szelektíven kell összegyűjteni, hogy optimalizálni lehessen a bennük lévő anyagok újrahasznosítását és csökkenteni lehessen az emberi egészségre és környezetre gyakorolt hatásukat. Az áthúzott "szemeteskuka" jele emlékezteti Önt arra, hogy kötelessége ezeket a termékeket szelektíven összegyűjteni.

A fogyasztóknak a helyi hatóságot vagy kereskedőt kell felkeresniük a régi háztartási gépek helyes elhelyezését illetően.

## Környezetvédelem

### Környezetvédelmet szolgáló technológia

Ha az ajtó üvegén keresztül kevés víz látszik, az azért van, mert az új technológiának köszönhetően az Ariston ak a felénél kevesebb víz is elég ahhoz, hogy maximális tisztítóhatást érjen el: egy olyan cél, amelyet a környezet megóvása érdekében tűztünk ki.

### Takarítson meg mosószert, vizet, energiát és időt

- Annak érdekében, hogy ne pazaroljunk az erőforrásokkal, a mosógépet teljes ruhatöltettel kell használni. Egy teljes ruhatöltettel való mosás két feltöltet helyett, akár 50% energia megtakarítást is lehetővé tehet.
- Az előmosás csak nagyon szennyezett ruhák esetén szükséges. Ha nem használja, azzal mosószert, időt és 5-15% energiát takarít meg.
- Ha a foltokat a mosás előtt folttisztítóval kezeli, és beáztatja, kevesebb szükség lesz a magas hőmérsékletű mosásra. A 60°C-on történő mosás a 90°C helyett, vagy 40°C-on 60°C helyett akár 50% energiamegtakarításhoz is vezethet.
- Ha a mosószert a víz keménysége, a szennyezettség mértéke és a ruha mennyisége alapján helyesen adagolja, elkerüli a pazarlást és nem terheli feleslegesen a környezetet: még, ha biológiailag lebomló fajtájúak is, a mosószerek olyan összetevőket tartalmaznak, amelyek megváltoztatják a természet egyensúlyát. Ezen kívül, kerülje az öblítőszer használataát, amennyire csak lehet.
- Ha a késő délután és a kora hajnal közötti időszakban mos, akkor hozzájárul ahhoz, hogy csökkentse az áramszolgáltató vállalatok terhelését. A Késleltető időzítő (lásd 43. oldal) nagyon hasznos a mosás időzítése szempontjából.
- Ha a mosott ruhákat utána szárítógépben szárítja, magas fordulatszámú centrifugálást válasszon. Ha a mosott ruhában kevés a víz, időt és energiát takarít meg a szárítóprogramnál.

U

Üzembehelyezés

Leírás

Programok

Mosószerek

Óvintézkedések

Karbantartás

Rendelenségek

Szerviz

# Karbantartás és törődés

HU

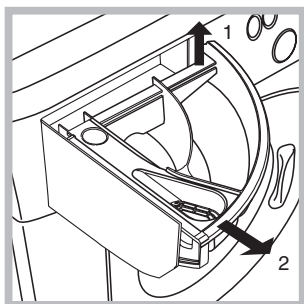
## A víz elzárása és az elektromos áram kikapcsolása

- Minden mosás után zárja el a vízcsapot. Így kíméli a mosógép vízrendszerét, és megszünteti a vízszivárgás kockázatát.
- Húzza ki a hálózati csatlakozódugót az aljzatból, amikor a mosógépet tisztítja vagy karbantartást végez.

## A mosógép tisztítása

A külső részeket és a gumi részeket langyos szappanos vizes ronggyal tisztíthatja. Ne használjon oldószert vagy súrolószert.

## A mosószeraadagoló fiók tisztítása



Vegye ki a fiókot úgy, hogy felemeli és kifelé húzza (lásd ábra). Folyóvíz alatt mossa ki. Ezt a tisztítást gyakran el kell végezni.

## Az ajtó és a forgódob gondozása

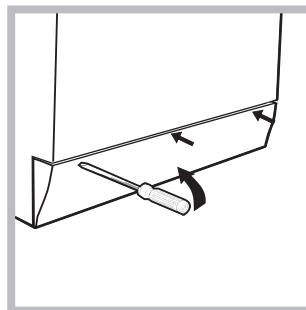
- Az ajtót hagyja mindig részre nyitva, nehogy rossz szagok keletkezzenek.

## A szivattyú tisztítása

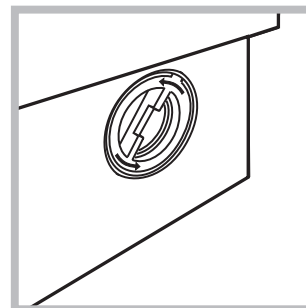
A mosógép öntisztító szivattyúval van felszerelve, melynek nincs szüksége tisztítási és karbantartási műveletekre. Az azonban megtörténhet, hogy kis tárgyak kerülnek (aprópénz, gomb) a szivattyút védő előkamrába, ami a szivattyú alsó részén található.

! Győződjön meg róla, hogy a mosóprogram véget ért, és húzza ki a hálózati csatlakozót.

Hogy hozzáférjen az előkamrához:



1. egy csavarhúzó segítségével távolítsa el a burkolópanelt a mosógép elejéről (lásd ábra);



2. az óra járásával ellentétes irányban forgatva csavarja le a fedelet (lásd ábra): természetes, hogy egy kevés víz kifolyik;

3. gondosan tisztítsa ki a belsejét;
4. csavarja vissza a fedelet;
5. szerelje vissza a panelt úgy, hogy mielőtt azt a gép felé nyomná, meggyőződik arról, hogy a horgok a hozzájuk tartozó furatokba illeszkednek.

## A vízbevezető cső ellenőrzése

Évente legalább egyszer ellenőrizze a gumicsövet. Ki kell cserélni, ha repedezett vagy hasadozott: a mosás során a nagy nyomás hirtelen szakadást okozhat.

! Soha ne alkalmazzon már használt csöveket.

Megtörténhet, hogy a mosógép nem működik. Mielőtt felhívna a Szervizt (lásd 72. oldal) ellenőrizze, hogy nem olyan problémáról van szó, amely a következő lista segítségével egyszerűen megoldható.


## Rendellenességek:

## Lehetséges okok / Megoldás:

**A mosógép nem kapcsol be.**

- A hálózati csatlakozódugó nincs bedugva az aljzatba, vagy nem eléggé ahhoz, hogy jól érintkezzen.
- Nincs áram a lakásban.

**A mosási ciklus nem indul el.**

- Az ajtó nincs jól becsukva (a kijelzőn a DOOR felirat olvasható).
- Nem nyomta meg az  billentyűt.
- Nem nyomta meg a START/RESET billentyűt.
- A vízcsap nincs nyitva.
- Az indítás késleltetése van beállítva (Késleltető időzítő, lásd 67. oldal).

**A mosógép nem vesz fel vizet (A kijelzőn H<sub>2</sub>O olvasható).**

- A vízbevezető cső nincs csatlakoztatva a csaphoz.
- A cső meg van törve.
- A vízcsap nincs nyitva.
- A lakásban nincs víz.
- Nincs elegendő nyomás.
- Nem nyomta meg a START/RESET billentyűt.

**A mosógép folytonosan szívja és lereszti a vizet.**

- A leeresztőcső nem a padlószinttől 65 és 100 cm közötti magasságban van felszerelve (lásd 63. oldal).
- A leeresztőcső vége vízbe merül (lásd 63. oldal).
- A fali szifonnak nincs szellőzése.

Ha ezen vizsgálatok után a probléma nem oldódik meg, zárja el a vízcsapot, kapcsolja ki a mosógépet és hívja ki a szervizszolgálatot. Ha a lakás egy épület legfelsőbb emeleteinek egyikén található, lehetséges, hogy a csatorna-szellőző eltömődésének jelensége (szivornyahatás) lépett fel, ezért a mosógép folytonosan szívja és lereszti a vizet. Ezen kellemetlenség elkerülésére a kereskedelmi forgalomban rendelkezésre állnak csatorna-szellőző szelepek.

**A mosógép nem ereszti le a vizet, vagy nem centrifugál.**

- A program nem ereszti le a vizet: némelyik programnál manuálisan kell elindítani (lásd 66. oldal).
- Be van kapcsolva a Vasalj kevesebbet opció: a program befejezéséhez nyomja meg a START/RESET billentyűt (lásd 67. oldal).
- A leeresztőcső meg van törve (lásd 63. oldal).
- A lefolyó el van dugulva.

**A mosógép nagyon rázkódik a centrifugálás alatt.**

- Az üzembelyezéskor nem távolították el a forgódob rögzítését (lásd 62. oldal).
- A mosógép nem áll vízszintben (lásd 62. oldal).
- A mosógép a bútor és a fal köté van szorítva (lásd 62. oldal).

**A mosógépből elfolyik a víz.**

- A vízbevezető cső nincs jól felcsavarva (lásd 62. oldal).
- A mosószeradagoló fiók eltömődött (a tisztítást lásd a 70. oldalon).
- A leeresztőcső nincs jól rögzítve (lásd 63. oldal).

**Sok hab képződik.**

- A mosószer nem mosógépekhez való (kell, hogy szerepeljen rajta, hogy „gépi”, „kézi vagy gépi mosáshoz”, vagy hasonló).
- Túl sok mosószert használt.

U

Üzembelyezés

Leírás

Programok

Mosószer

Övintézkedések

Karbantartás

Rendellenességek

Szerviz

**Mielőtt a Szervizhez fordulna:**

- Győződjön meg arról, hogy a hibát nem tudja maga is elhárítani (*lásd 71. oldal*);
- Újból indítsa el a programot, hogy lássa, elhárította-e a hibát;
- Ellenkező esetben forduljon a megbízott Szakszervizhez: a telefonszámot a garanciajegyen találja.

! Soha ne forduljon nem megbízott szerelőhöz.

**Közölje:**

- a meghibásodás jellegét;
- a mosógép modelljét (Mod.);
- a gyártási számot (Sorsz.).

Ezen információk a mosógép hátsó részére felerősített táblán találhatóak.

**SK**

Slovenský

**AVSD 109**

### Obsah

#### Inštalácia, 74-75

Rozbalenie a vyrovnanie do vodorovnej polohy, 74  
Pripojenie k elektrickej sieti a k rozvodu vody, 74-75  
Prvý prací cyklus, 75  
Technické údaje, 75

#### Popis práčky, 76-77

Ovládací panel, 76  
Displej, 77

#### Uvedenie do chodu a programu, 78

V skratke: uvedenie pracieho programu do chodu, 78  
Tabuľka programov, 78

#### Nastavenie činnosti podľa potrieb užívateľa, 79

Nastavenie teploty, 79  
Nastavenie rýchlosti odstreďovania, 79  
Voliteľné funkcie, 79

#### Pracie prostriedky a bielizeň, 80

Dávkovač pracích prostriedkov, 80  
Bieliaci cyklus, 80  
Príprava bielizne, 80  
Odevy vyžadujúce špeciálnu starostlivosť, 80  
Woolmark Platinum Care (Kašmír Platinum), 80

#### Opatrenia a rady, 81

Základné bezpečnostné pokyny, 81  
Likvidácia, 81  
Ako ušetriť a brať ohľad na životné prostredie, 81

#### Údržba a starostlivosť, 82

Zatvorenie prívodu vody a vypnutie elektrického napájania, 82  
Čistenie práčky, 82  
Čistenie dávkovača pracích prostriedkov, 82  
Starostlivosť o dvierka a bubon, 82  
Čistenie čerpadla, 82  
Kontrola prítokovej hadice, 82

#### Poruchy a spôsob ich odstránenia, 83

#### Servisná služba, 84

Pred privolaním servisnej služby, 84



# Inštalácia

SK

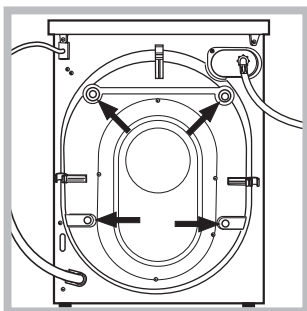
! Je veľmi dôležité uschovať tento návod za účelom jeho ďalšej konzultácie. V prípade predaja, darovania alebo presťahovania práčky sa uistite, že zostane uložený v blízkosti práčky, aby mohol posлúžiť novému majiteľovi pri zoznámení sa s činnosťou a s príslušnými upozorneniami.

! Pozorne si prečítajte uvedené pokyny: obsahujú dôležité informácie týkajúce sa inštalácie, použitia a bezpečnosti pri práci.

## Rozbalenie a vyrovnanie do vodorovnej polohy

### Rozbalenie

1. Rozbaľte práčku.
2. Skontrolujte, či počas prepravy nedošlo k jej poškodeniu. V prípade, že je poškodená, nezapájajte ju a obráťte sa na predajcu.



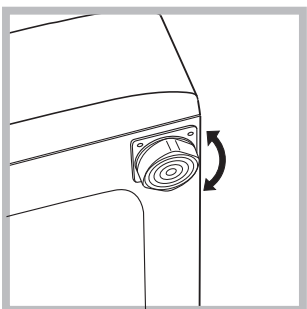
3. Odstráňte štyri skrutky s gumovou podložkou a s príslušným dištančným krúžkom, nachádzajúce sa v zadnej časti (vid' obrázok), slúžiace na ochranu počas prepravy.

4. Uzatvorte otvory po skrutkách plastovými zátkami.
5. Uschovajte všetky diely: v prípade opätovnej prepravy práčky ich bude treba namontovať späť.

! Obaly nie sú hračkami pre deti

### Vyrovnanie do vodorovnej polohy

1. Práčku je potrebné umiestniť na rovnú a pevnú podlahu, bez toho, že by bola opretá o stenu, nábytok alebo niečo iné.



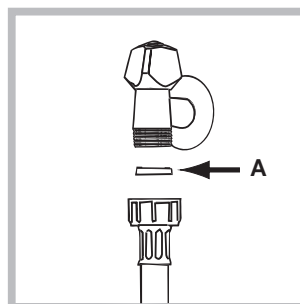
nesmie presiahnuť 2°.

2. V prípade, keď podlaha nie je dokonale vodorovná, môžu byť prípadné rozdiely vykompenzované odkrútením alebo zakrútením predných nožičiek (vid' obrázok). Uhol sklonu, nameraný na pracovnej ploche,

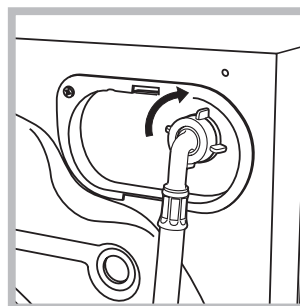
Dokonalé vyrovnanie do vodorovnej polohy zabezpečí stabilitu zariadenia a zamedzí vzniku vibrácií a hluku počas činnosti. V prípade inštalácie na podlahovú krytinu alebo na koberec, nastavte nožičky tak, aby pod práčkou zostal dostatok voľného priestoru na ventiláciu.

## Pripojenie k elektrickej sieti a k rozvodu vody

### Pripojenie prítokovej hadice



1. Vložte tesnenie A do koncovkej časti prítokovej hadice a pripevnite ju k uzáveru studenej vody so závitom 3/4" (vid' obrázok). Pred pripojením hadice nechajte vodu odtiecť, až kým nebude priehľadná.



2. Pripojte prítokovú hadicu k práčke prostredníctvom príslušného vstupného hrdla, situovaného vpravo hore (vid' obrázok).

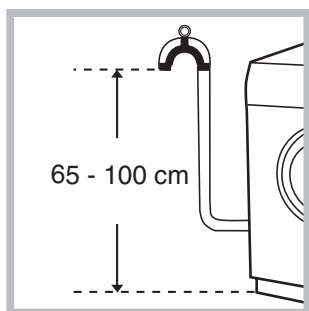
3. Dbajte na to, aby hadica nebola príliš ohnutá alebo stlačená.

! Tlak v rozvode vody sa musí pohybovať v rozmedzí hodnôt uvedených v tabuľke s technickými údajmi (vid' vedľajšia strana).

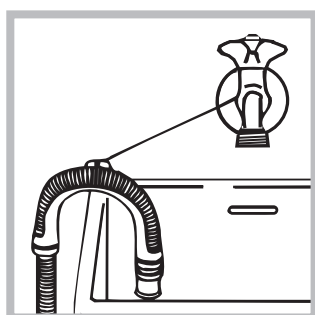
! V prípade, že dĺžka prítokovej hadice nebude dostatočná, obráťte sa na špecializovanú predajňu alebo na autorizovaný technický personál.



### Pripojenie odtokovej hadice



Pripojte vypúšťaciu hadicu, bez toho, že by došlo k jej ohnutiu, k odpadovému potrubiu alebo k odpadu v stene, nachádzajúcemu sa od 65 do 100 cm nad zemou;



alebo ju zachyťte na okraj umývadla alebo vane, a pripevnite ju ku kohútiku prostredníctvom držiaku z príslušenstva (vid' obrázok). Voľný koniec vypúšťacej hadice nesmie zostať ponorený do vody.

! Použitie predlžovacích hadíc sa nedoporučuje; ak je však nevyhnutné, predlžovacia hadica musí mať rovnaký priemer ako originálna hadica a jej dĺžka nesmie presiahnuť 150 cm.

### Pripojenie k elektrickej sieti

Pred zasunutím zástrčky do zásuvky sa uistite, že:

- zásuvka je uzemnená, a že vyhovuje zákonným predpisom;
- zásuvka je schopná uniesť maximálnu záťaž odpovedajúcu menovitému príkonu zariadenia, uvedenému v tabuľke s technickými údajmi (vid' vedľa);
- hodnota napájacieho napätia odpovedá údajom uvedeným v tabuľke s technickými údajmi (vid' vedľa);
- zásuvka je kompatibilná so zástrčkou práčky. V opačnom prípade je potrebné vymeniť zástrčku.

! Práčka nesmie byť umiestnená vonku – pod holým nebom, a to ani v prípade, keby sa jednalo o miesto chránené pred poveternostnými vplyvmi, pretože je veľmi nebezpečné vystaviť ju pôsobeniu dažďa a búrok.

! Po definitívnom umiestnení práčky musí zásuvka zostať jednoducho prístupná.

! Nepoužívajte predlžovacie káble a rozvodky.

! Kábel nesmie byť ohnutý alebo stlačený.

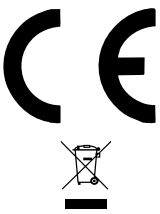
! Výmena kábla musí byť vykonaná výhradne autorizovaným technickým personálom.

Upozornenie! Výrobca neponesie žiadnu zodpovednosť za následky nerešpektovania uvedených predpisov.

### Prvý prací cyklus

Po nastavení práčky, pred jej použitím na pranie bielizne, je potrebné vykonať jeden skúšobný cyklus, s pracím prostriedkom a bez náplne bielizne, pri teplote 90°C, bez predpierania.

### Technické údaje

<b>Model</b>	AVSD 109
<b>Rozmery</b>	šírka 59,5 cm výška 85 cm hĺbka 40 cm
<b>Kapacita</b>	od 1 do 4,5 kg
<b>Elektrické zapojenie</b>	napätie 220/230 V 50 Hz maximálny príkon 1850 W
<b>Pripojenie k rozvodu vody</b>	maximálny tlak 1 MPa (10 bar) maximálny tlak 0,05 MPa (0.5 bar) kapacita bubna 40 litrov
<b>Rýchlosť odstred'ovania</b>	až do 1000 otáčok za minútu
<b>Kontrolný program podľa normy IEC456</b>	program 3; teplota 60°C; náplň 4,5 kg prádla.
	Toto zariadenie je v zhode s nasledujúcimi smernicami Európskej únie: - 73/23/EHS z 19/02/73 (Nízke napätie) v platnom znení - 89/336/EHS z 03/05/89 (Elektromagnetická kompatibilita) v platnom znení - 2002/96/CE
<b>Hlučnosť (dB(A) re 1 pW)</b>	Pranie: 55 Odstred'ovanie: 67

SK

Inštalácia

Popis

Pracné programy

Pracné prostriedky

Opatrenia

Údržba

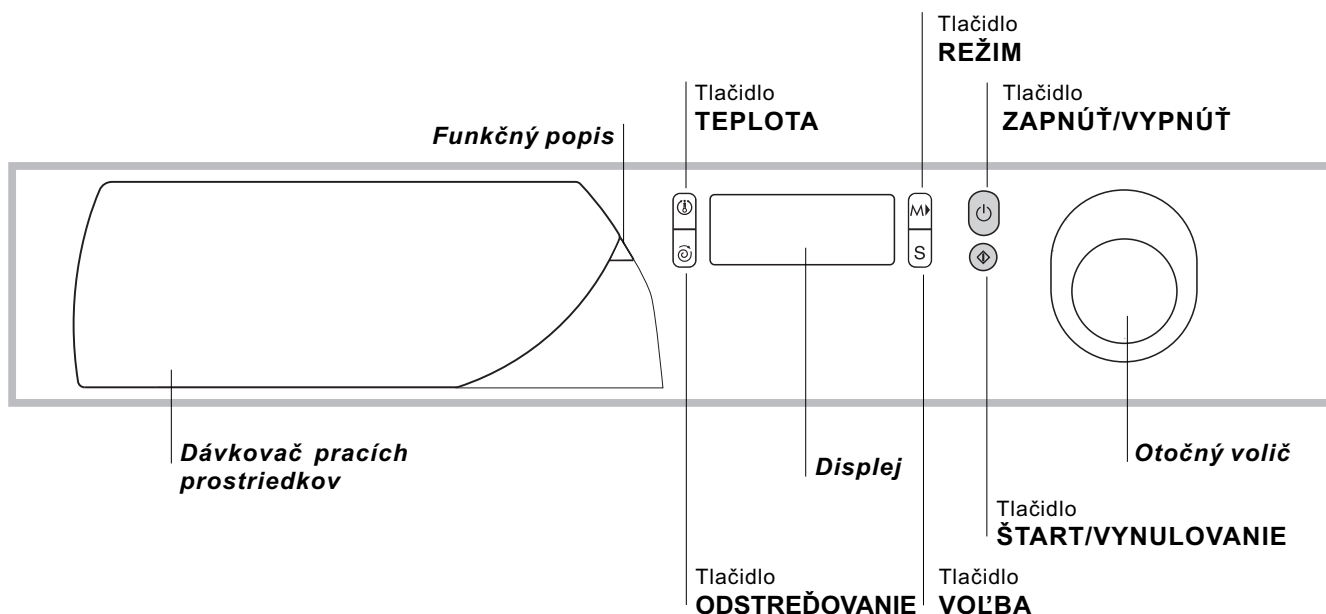
Poruchy

Servisná služba

# Popis práčky

SK

## Ovládací panel



**Dávkovač pracích prostriedkov** slúži na dávkovanie pracích prostriedkov a prídavných prostriedkov (vid' str. 80).

**Funkčný popis** umožňuje konzultáciu schémy pracích programov: otvára sa potiahnutím za sivý jazýček smerom von.

Tlačidlo **TEPLOTA** slúži na zmenu nastavenia teploty prania (vid' str. 79).

Tlačidlo **ODSTREDOVANIE** slúži na nastavenie rýchlosti odstreďovania až po jeho úplné vylúčenie (vid' str. 79).

**Displej** slúži na nastavenie pracieho programu a na kontrolu priebehu pracieho cyklu (vid' vedľajšia strana).

Tlačidlo **REŽIM** slúži na nastavení činnosti podľa potrieb užívateľa (vid' str. 79).

Tlačidlo **VOLBA** slúži na nastavení činnosti podľa potrieb užívateľa (vid' str. 79).

Tlačidlo **ZAPNÚŤ/VYPNÚŤ** slúži na zapnutie a vypnutie práčky.

Tlačidlo **ŠTART/VYNULOVANIE** slúži na uvedenie pracích programov do chodu alebo na vynulovanie chybného nastavenia.

**Otočný volič** slúži na voľbu pracích programov. Volič je zasúvateľný: za účelom jeho vysunutia je potrebné zatlačiť na jeho stred. Počas pracieho programu zostane stáť v rovnakej polohe.

## Displej

Displej, okrem toho, že je veľmi užitočným nástrojom na nastavenie zariadenia (vid' str. 79), poskytuje aj celý rad informácií o pracovnom cykle a jeho priebehu.



Po stlačení tlačidla ŠTART/VYNULOVANIE za účelom uvedenia nastaveného pracovného programu do chodu, sa na displeji objaví doba ostávajúca do konca pracovného cyklu. V prípade, že je nastavený čas oneskoreného štartu (Oneskorený štart, vid' str. 79), dôjde k jeho zastaveniu.

Počas pracovného cyklu budú zobrazované nasledujúce informácie:

### Aktuálna fáza pracovného programu:

- |            |                           |
|------------|---------------------------|
| Predpierka | Odstreďovanie             |
| Pranie     |                           |
| Plákanie   | Symbol nie je aktivovaný. |

### Zvolený druh tkaniny:

- |                  |        |
|------------------|--------|
| Bavlna           | Vlňa   |
| Farebná bielizeň | Hodváb |
| Syntetika        |        |

### Voliteľné funkcie slúžiace na nastavenie podľa potrieb užívateľa:

Aktivované funkcie sú orámované rámčekom. Spôsob výberu jednotlivých voliteľných funkcií vid' str. 79.

Voliteľná funkcia nie je aktivovaná.

### Zablokované dvierka

Rozsvietenie uvedeného symbolu poukazuje na zablokovanie dvierok kvôli zabráneniu ich náhodnému otvoreniu. Aby sa predišlo poškodeniu dvierok, pred ich otvorením je treba vyčekať na zhasnutie uvedeného symbolu. Tento model je vybavený zariadením umožňujúcim otvorenie dvierok i počas prvej fázy nastaveného pracovného programu. Môže k nemu dôjsť v prípade, že je uvedená kontrolka zhasnutá.


Na záver pracovného cyklu dôjde k zobrazeniu nápisu END.


! V prípade výskytu poruchy bude zobrazený chybový kód, napríklad: F-01, ktorý je potrebné oznámiť servisnej službe (vid' str. 84).

# Uvedenie do chodu a programy






SK

## V skratke: uvedenie pracieho programu do chodu

1. Zapnite práčku stlačením tlačidla .
2. Naplňte práčku a zatvorte dvierka.
3. Voličom programov nastavte požadovaný prací program. Na displeji bude uvedená približná doba prania. Teplota a odstreďovanie budú nastavené automaticky, na základe zvoleného pracieho programu (ich zmena je možná - *viď str. 79*).

4. Naplňte dávkovač pracími a prípadne tiež prídavnými prostriedkami (*viď str. 80*).
5. Uvedte nastavený prací program do chodu stlačením tlačidla ŠTART/VYNULOVANIE. Vynulovanie nastaveného programu sa vykonáva stlačením tlačidla ŠTART/VYNULOVANIE na dobu najmenej 2 sekúnd.
6. Po ukončení pracieho programu sa objaví nápis END. Vyberte prádlo a nechajte potvorené dvierka, aby mohlo dôjsť k vysušeniu bubna.
7. Vypnite práčku stlačením tlačidla .

## Tabuľka programov

Druh tkaniny a stupeň jej znečistenia	Pracie programy	Teplota	Prací prostriedok		Aviváž	Voliteľná funkcia Belenie / Bieliaci prostriedok	Orientačná doba cyklu (v minútach)	Popis pracieho cyklu
			na predpr.	na pranie				
<b>Bavlna</b>								
Extrémne znečistená biela bielizeň (plachty, obrusy, atď.)	1	90°C	•	•	•		137	Predpierka, pranie plákanie, priebežné a záverečné odstreďovanie
Extrémne znečistená biela bielizeň (plachty, obrusy, atď.)	2	90°C		•	•	Na jemnú bielizeň / Tradičný	120	Pranie, plákanie, priebežné a záverečné odstreďovanie
Silno znečistená biela a farebná bielizeň z odolných tkanín	3	60°C		•	•	Na jemnú bielizeň / Tradičný	105	Pranie, plákanie, priebežné a záverečné odstreďovanie
Čiastočne znečistená biela a farebná jemná bielizeň (košele, tričká, atď.)	4	40°C		•	•	Na jemnú bielizeň / Tradičný	72	Pranie, plákanie, priebežné a záverečné odstreďovanie
Čiastočne znečistené farebné jemná bielizeň	5	30°C		•	•	Na jemnú bielizeň / Tradičný	65	Pranie, plákanie, priebežné a záverečné odstreďovanie
<b>Syntetika</b>								
Silno znečistená bielizeň z odolných farebných tkanín	6	60°C		•	•	Na jemnú bielizeň	77	Pranie, plákanie, ochrana pred pokrčením alebo jemné odstreďovanie
Bielizeň z odolných tkanín (zľahka znečistená bielizeň všetkého druhu)	6	40°C		•	•	Na jemnú bielizeň	62	Pranie, plákanie, ochrana pred pokrčením alebo jemné odstreďovanie
Silno znečistená bielizeň z odolných farebných tkanín	7	50°C		•	•	Na jemnú bielizeň	73	Pranie, plákanie, ochrana pred pokrčením alebo jemné odstreďovanie
Jemná farebná bielizeň (zľahka znečistená bielizeň všetkého druhu)	8	40°C		•	•	Na jemnú bielizeň	58	Pranie, plákanie, ochrana pred pokrčením alebo jemné odstreďovanie
Jemná farebná bielizeň (zľahka znečistená bielizeň všetkého druhu)	9	30°C		•	•		30	Pranie, plákanie, jemné odstreďovanie
<b>Jemné prádlo</b>								
Vlna	10	40°C		•	•	Na jemnú bielizeň	50	Pranie, plákanie, odstreďovanie
Bielizeň z veľmi jemných tkanín (záclony, hodváb, viskóza, atď.)	11	30°C		•	•		45	Pranie, plákanie, ochrana pred pokrčením alebo vyčerpanie vody
<b>ČIASTOČNÉ PROGRAMY</b>								
Plákanie					•	•		Plákanie a odstreďovanie
Jemné plákanie					•	•		Plákanie, ochrana pred pokrčením alebo vyčerpanie vody
Odstreďovanie								Vyčerpanie vody a intenzívne odstreďovanie
Jemné odstreďovanie								Vyčerpanie vody a jemné odstreďovanie
Vyčerpanie vody								Vyčerpanie vody

## Poznámky

Popis ochrany pred pokrčením: *viď Jednoduché žehlenie, na vedľajšej strane*. Údaje uvedené v tabuľke majú len informatívny charakter.

## Špeciálny program

*Každodenné pranie 30'* (program 9 pre syntetiku) je navrhnutý špeciálne na pranie zľahka znečistenej bielizne počas krátkej doby: trvá len 30 minút a šetrí tak energiu a čas. Nastavením programu (9 pri 30°C) je možné prať spolu bielizeň rôzneho druhu (s výnimkou vlny a hodvábu) s náplňou nepresahujúcou 3 kg. *Doporučuje sa použitie tekutého pracieho prostriedku.*

# Nastavenie činnosti podľa potrieb užívateľa



## Nastavenie teploty

Po stlačení tlačidla dôjde k zobrazeniu maximálnej teploty pre nastavený prací cyklus. Je možné ju znížiť stlačením uvedeného tlačidla. OFF označuje pranie v studenej vode. Nastavenie teploty je možné u všetkých pracích programov.

## Nastavenie rýchlosti odstred'ovania

Po stlačení tlačidla dôjde k zobrazeniu maximálnej rýchlosti odstred'ovania pre nastavený prací cyklus. Stlačením tlačidla dôjde k zníženiu nastavených hodnôt až po zobrazenie hodnoty OFF, označujúcej vylúčenie odstred'ovania (po ďalšom stlačení dôjde k opätovnému zobrazeniu najvyššej možnej hodnoty). Vylúčenie odstred'ovania je označené symbolom . Nastavenie rýchlosti odstred'ovania je možné u všetkých pracích programov, s výnimkou programu 11 a vyčerpania vody.

## Voliteľné funkcie

Jednotlivé funkcie, ktorými práčka disponuje umožňujú dosiahnuť požadovaný stupeň čistoty a bieloby pranej bielizne. Postup pri výbere jednotlivých voliteľných funkcií je rovnaký:

1. Prostredníctvom tlačidla REŽIM je možný pohyb medzi jednotlivými voliteľnými funkciami; aktivovaný symbol bude blikať.
2. Nastavenie sa uskutočňuje stlačením tlačidla VOLBA, a jeho pridrzaním až do objavenia nápisu ON (v prípade oneskoreného štartu dôjde k zobrazeniu nastaveného času: *viď nižšie uvedená tabuľka*).
3. Potvrďte voľbu opätovným stlačením tlačidla REŽIM: symbol znázornený na displeji, odpovedajúci nastavenej voliteľnej funkcii, prestane blikať.

Nastavené voliteľné funkcie budú na displeji označené rámečkom.

Voliteľná funkcia	Efekt	Poznámky k použitiu	Aktívna pri programoch:
<b>Oneskorený štart</b>	Slúži na odloženie štartu pracieho cyklu až o 24 hodín.	Opakovane stlačte <b>S</b> (tlačidlo VOLBA) za účelom zobrazenia hodnoty OFF, odpovedajúcej okamžitému štartu.	Všetkých
<b>Bielenie</b>	Bieliaci cyklus vhodný na odstránenie najodolnejších škvŕn.	Nezabudnite na vloženie bieliaceho prostriedku do prídavnej priehradky 4 ( <i>viď str. 80</i> ). Nie je kompatibilná s použitím voliteľnej funkcie JEDNODUCHÉ ŽEHLENIE.	2, 3, 4, 5, 6, 7, 8, 10, plákanie.
<b>Jednoduché zehlenie</b>	Slúži na zníženie počtu záhybov na tkaninách, uľahčujúč následné zehlenie.	Po nastavení tejto voliteľnej funkcie dôjde k prerušeniu programov 6, 7, 8, 11 a jemné plákanie s bielizňou vo vode (ochrana proti krčeniu) a k blikaniu symbolu : - dokončenie pracieho cyklu je možné po stlačení tlačidla ŠTART/VYNULOVANIE; - ak si prajete len vyčerpať vodu, nastavte otočný volič do polohy označenej  a stlačte tlačidlo ŠTART/VYNULOVANIE. Nie je kompatibilná s použitím voliteľnej funkcie BIELENIE.	Všetky okrem 1, 2, 9, 10, vyčerpanie vody.
<b>Super Wash</b>	Umožňuje dosiahnutie dokonalej čistoty a viditeľne najvýraznejšej bieloby vypranej bielizne v štandarde triedy A.	Nie je kompatibilná s použitím voliteľnej funkcie RÝCHLE PRANIE.	1, 2, 3, 4, 5, 6, 7, 8
<b>Rýchle pranie</b>	Umožňuje znížiť dobu pracieho cyklu približne o 30%.	Nie je kompatibilná s použitím voliteľnej funkcie SUPER WASH.	1, 2, 3, 4, 5, 6, 7, 8
<b>Intenzívne plákanie</b>	Slúži na zvýšenie účinnosti plákania.	Jej použitie sa doporučuje pri úplne naplnenej práčke alebo pri použití veľkého množstva pracieho prostriedku.	1, 2, 3, 4, 5, 6, 7, 8, plákanie.

SK

Inštalácia

Popis

Pracie programy

Pracie prostriedky

Opatrenia

Údržba

Poruchy

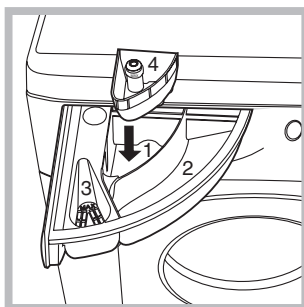
Servisná služba

# Pracie prostriedky a bielizeň

SK

## Dávkovač pracích prostriedkov

Dobry výsledok prania závisí aj od správneho dávkovania pracích prostriedkov: ich použitie v nadmernom množstve znižuje efektívnosť prania a napomáha tvorbe vodného kameňa na vnútorných častiach práčky a tiež znečisteniu životného prostredia.



Pri vyťahovaní dávkovača pracích prostriedkov a pri jeho plnení pracími alebo prídavnými prostriedkami postupujte následovne.

### priehradka 1: Prací prostriedok (práškový) na predpierku

Pred naplnením priehradky pracím prostriedkom sa uistite, že sa v dávkovači nenachádza prídavná priehradka 4.

### priehradka 2: Prací prostriedok (práškový alebo tekutý) na pranie

Tekutý prací prostriedok sa nalieva len tesne pred uvedením zariadenia do chodu.

### priehradka 3: Prídavné prostriedky (aviváž, atď.)

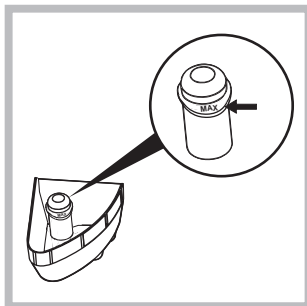
Aviváž nesmie vytekať z mriežky.

### prídavná priehradka 4: Bieliaci prostriedok

! Nepoužívajte pracie prostriedky určené na ručné pranie, pretože spôsobujú tvorbu nadmerného množstva peny.

## Bieliaci cyklus

! Tradičný bieliaci prostriedok sa používa pri bielení bielej bielizne z odolných tkanín, zatiaľ čo bieliaci prostriedok **na jemnú bielizeň** sa používa pri bielení farebného prádla, prádla zo syntetických tkanín a z vlny.



Vložte prídavnú priehradku 4, z príslušenstva, do priehradky 1. Pri dávkovaní bieliaceho prostriedku neprekročte hladinu „max“, vyznačenú na stredovom kolíku (viď obrázok).

Keď si prajete vykonať len bieliaci cyklus, naplňte prídavnú priehradku 4 bieliacim prostriedkom, nastavte program plákania (pre bavlnenú bielizeň) alebo jemné plákanie (pre bielizeň zo syntetických tkanín) a aktivujte voľiteľnú funkciu bielenia (viď str. 79). Pri bielení počas pracieho cyklu naplňte dávkovač pracím prostriedkom a prídavnými prostriedkami, nastavte požadovaný prací cyklus a aktivujte voľiteľnú funkciu bielenia (viď str. 79).

Použitie prídavnej priehradky 4 vylučuje možnosť predpierky. Bieliaci cyklus je vylúčený tiež počas programov 11 (hodváb) a počas cyklu každodenného prania 30' (viď str. 78).

## Príprava bielizne

- Roztriedte bielizeň podľa:
  - druhu tkaniny / symbolu na visačke.
  - farby: oddelte farebné prádlo od bieleho.
- Vyprázdňte vrecká a skontrolujte gombíky.
- Neprekračujte povolenú náplň, vzťahujúcu sa na hmotnosť suchej bielizne:
  - Odolné tkaniny: max. 4,5 kg
  - Syntetické tkaniny: max. 2,5 kg
  - Jemné tkaniny: max. 2 kg
  - Vlna max. 1 kg

### Koľko váži bielizeň?

- 1 plachta 400-500 g
- 1 obliečka na vankúš 150-500 g
- 1 obrus 400-500 g
- 1 župan 900-1.200 g
- 1 uterák 150-250 g

## Odevy vyžadujúce špeciálnu starostlivosť

**Záclony:** prehnite ich a uložte do obliečky na vankúš alebo do sáčku zo sieťoviny. Je treba ich prať samotné a neprekročiť polovičnú náplň. Na pranie záclon použite program 11, ktorý automaticky vylúči odstredovanie.

**Prešivané kabáty a vetrovky:** je možné ich prať v práčke v prípade, ak sú plnené husacím alebo kačacím perím. Jednotlivé kusy odevu obráťte naruby, naplňte práčku náplňou s hmotnosťou nepresahujúcou 2-3 kg, zopakujte raz alebo viackrát plákanie a použite jemné odstredovanie.

**Tenisky:** očistite ich od bahna. Môžete ich prať spolu s džínami a bielizňou z odolných tkanín, nemôžete ich však prať spolu s bielou bielizňou.

**Vlna:** aby ste dosiahli čo najlepšie výsledky, treba použiť špecifický prací prostriedok na pranie vlny a neprekročiť 1 kg náplne.

## Woolmark Platinum Care (Kašmír Platinum)



### Jemné ako pranie v rukách.

Ariston zaviedol nový, vyšší štandard, ktorý bol spoločnosťou The Woolmark Company ocenený prestížnou značkou Woolmark Platinum Care. V prípade, že je práčka označená značkou Woolmark Platinum Care, môže sa v nej prať, pri dosiahnutí vynikajúcich výsledkov, i vlnená bielizeň, označené visačkou „Prať v rukách“ (M.0303):



Nastavte prací program 10 pri praní všetkých kusov odevov označených visačkou „Prať v rukách“, a použite špecifické pracie prostriedky.



! Práčka bola navrhnutá a vyrobená v súlade s platnými medzinárodnými bezpečnostnými predpismi. Tieto upozornenia sú uvádzané z bezpečnostných dôvodov a je treba si ich pozorne prečítať.

## Základné bezpečnostné pokyny

- Tento spotrebič bol navrhnutý pre domáce, neprofesionálne použitie, a jeho funkcie nesmú byť menené.
- Práčku môžu používať len dospelé osoby, podľa pokynov uvedených v tomto návode.
- Nedotýkajte sa zariadenia bosí, alebo v prípade, keď máte mokré ruky alebo nohy.
- Nevyťahujte zástrčku zo zásuvky potiahnutím za kábel, ale uchopením za zástrčku.
- Neotvárajte dávkovač pracích prostriedkov počas činnosti zariadenia.
- Nedotýkajte sa vyčerpanej vody, pretože môže mať veľmi vysokú teplotu.
- Nepokúšajte sa o násilné otváranie dvierok: mohlo by dôjsť k poškodeniu bezpečnostného uzáveru, ktorý zabraňuje náhodnému otvoreniu.
- Pri výskyte poruchy sa v žiadnom prípade nepokúšajte o opravu vnútorných častí zariadenia.
- Vždy majte pod kontrolou deti a zabráňte ich priblíženiu sa k práčke počas pracieho cyklu.
- Počas pracieho cyklu majú dvierka tendenciu zohriať sa.
- V prípade potreby premiestňujte práčku v dvojici alebo v trojici, a venujte celej operácii zvláštnu pozornosť. Nikdy sa nepokúšajte práčku premiestňovať sami, je totiž veľmi ťažká.
- Pred zahájením vkladania bielizne skontrolujte, či je bubon prázdny.

## Likvidácia

- Likvidácia obalových materiálov: pri ich odstraňovaní postupujte v súlade s miestnymi predpismi a s cieľom ich recyklácie.
- Európska smernica 2002/96/EC o odpadových elektrických a elektronických zariadeniach stanovuje, že staré domáce elektrické spotrebiče nesmú byť odkladané do bežného netriedeného domového odpadu. Staré spotrebiče musia byť odovzdané do oddeleného zberu a to za účelom recyklácie a optimálneho využitia materiálov, ktoré obsahujú, z dôvodu prevencie negatívneho dopadu na ľudské zdravie a životné prostredie. Symbol "prečiarknutej

popolnice" na výrobku Vás upozorňuje na povinnosť odovzdať zariadenie po skončení jeho životnosti do oddeleného zberu.

Spotrebitelia majú povinnosť kontaktovať ich lokálny úrad alebo maloobchod kvôli informáciám týkajúcich sa správneho odovzdaniu a likvidácie ich starých spotrebičov.

## Ako ušetriť a brať ohľad na životné prostredie

**Technológia v službách životného prostredia**  
Vysvetlením toho, že vo vnútri práčky je vidieť málo vody, je skutočnosť, že nová technológia Ariston umožňuje dokonale vyprať bielizeň s použitím menej než polovičného množstva vody: jedná sa o dosiahnutie vytýčeného cieľa s ohľadom na životné prostredie.

## Šetrenie pracími prostriedkami, vodou, energiou a časom

- Aby nedochádzalo k plytvaniu, je treba používať práčku s plnou náplňou. Jedna plná náplň, v porovnaní s dvoma polovičnými, umožňuje ušetriť až 50% energie.
- Predpierka je potrebná len pri praní silno znečistenej bielizne. Prací program bez predpiecky umožňuje ušetriť od 5 do 15% energie.
- Pri aplikácii príslušného prostriedku proti škvrnám alebo ich namočením pred zahájením prania, je možné vyhnúť sa praniu pri vysokých teplotách. Použitie rovnakého pracieho programu pri teplote 60°C namiesto 90°C alebo 40°C namiesto 60°C, umožňuje ušetriť až 50% energie.
- Správne dávkovanie pracieho prostriedku, s ohľadom na tvrdosť vody, stupeň znečistenia a množstvo pranej bielizne zabraňuje plytvaniu a chráni životné prostredie: i keď sa jedná o biodegradabilné látky, pracie prostriedky narušujú prirodzenú rovnováhu v prírode. Ďalej je sa treba, podľa možností, vyhnúť použitiu aviváže.
- Pranie v podvečer alebo skoro ráno napomáha nižšej záťaži firiem, zaoberajúcich sa výrobou energie. Voliteľná funkcia oneskorený štart (vid' str. 79) značne napomáha organizácii prania práve na základe uvedených pravidiel.
- V prípade, že bielizeň má byť vysušená v sušičke, zvolte vysokú rýchlosť odstreďovania. Malé množstvo vody umožňuje šetriť čas a energiu počas programu sušenia.

SK

Inštalácia

Popis

Pracie programy

Pracie prostriedky

Opatrenia

Údržba

Poruchy

Servisná služba



# Údržba a starostlivosť

SK

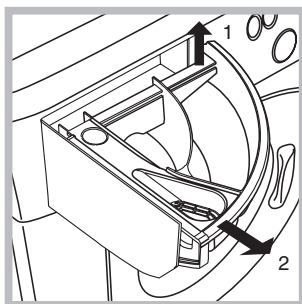
## Zatvorenie prívodu vody a vypnutie elektrického napájania

- Po každom praní uzatvorte prívod vody. Týmto spôsobom dochádza k obmedzeniu opotrebovania práčky a k zníženiu nebezpečenstva úniku vody.
- Pred zahájením čistenia práčky a počas operácií údržby je treba vytiahnuť zástrčku prívodného kábla zo zásuvky.

## Čistenie práčky

Vonkajšie časti a časti z gumy môžu byť čistené handrou navlhčenou vo vlažnej vode a saponáte. Nepoužívajte rozpúšťadlá alebo brúsne prostriedky.

## Čistenie dávkovača pracích prostriedkov



Vytiahnite dávkovač jeho nadvihnutím a vytiahnutím smerom von (vid' obrázok). Umyte ho pod prúdom vody; tento druh vyčistenia je treba vykonávať pravidelne.

## Starostlivosť o dvierka a bubon

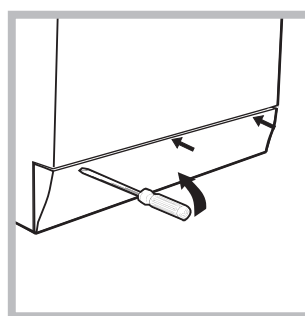
- Dvierka ponechajte zakaždým pootvorené, aby sa zabránilo tvorbe nepríjemných zápachov.

## Čistenie čerpadla

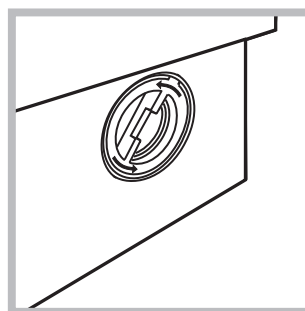
Súčasťou práčky je samočistiace čerpadlo, ktoré nevyžaduje osobitnú starostlivosť. Môže sa však stať, že sa v jeho vstupnej časti, určenej na jeho ochranu, a nachádzajúcej sa v jeho spodnej časti, zachytia drobné predmety (mince, gombíky).

! Uistite sa, že prací cyklus bol ukončený a vytiahnite zástrčku zo zásuvky.

Prístup k vstupnej časti čerpadla:



1. pomocou skrutkovača odstráňte krycí panel nachádzajúci sa v prednej časti práčky (vid' obrázok);



2. odkrúťte vrchný kryt jeho otáčaním proti smeru hodinových ručičiek (vid' obrázok): vytečenie malého množstva vody je celkom bežným javom;

3. dokonale vyčistite vnútro vstupnej časti čerpadla;
4. nasadte späť vrchný kryt;
5. namontujte späť krycí panel, pričom sa, pred jeho prisunutím k práčke uistite, že došlo k správne mu zachyteniu háčikov do príslušných otvorov.

## Kontrola prítokovej hadice

Stav prítokovej hadice je treba skontrolovať aspoň raz ročne. Ak sú na nej viditeľné praskliny alebo trhliny, je potrebné ju vymeniť: silný tlak pôsobiaci na hadicu počas pracieho cyklu by mohol spôsobiť jej náhle roztrhnutie.

! Nikdy nepoužívajte už použité hadice.

Môže sa stať, že práčka nebude fungovať. Pred obrátením sa telefonicky na servisnú službu (*vid' str. 84*), skontrolujte prostredníctvom nasledujúceho zoznamu, či sa nejedná o jednoducho odstrániteľný problém.


## Poruchy:

## Možné príčiny / Spôsob ich odstránenia:

**Práčku nie je možné zapnúť.**

- Zástrčka nie je zasunutá v zásuvke, alebo nie dostatočne na to, aby došlo k spojeniu kontaktov.
- V celom dome je vypnutý prúd.

**Nedochádza k zahájeniu pracieho cyklu.**

- Dvierka nie sú správne zatvorené (na displeji je zobrazený nápis DOOR).
- Nebolo stlačené tlačidlo .
- Nebolo stlačené tlačidlo ŠTART/VYNULOVANIE.
- Nebol otvorený kohútik prívodu vody.
- Bol nastavený oneskorený štart (Oneskorený štart, *vid' str. 79*).

**Nedochádza k napúšťaniu vody do práčky (na displeji je zobrazený nápis H<sub>2</sub>O).**

- Prívodná hadica nie je pripojená k vodovodnému kohútiku.
- Prívodná hadica je príliš ohnutá.
- Nebol otvorený kohútik prívodu vody.
- V celom dome je uzatvorený prívod vody.
- V rozvode vody nie je dostatočný tlak.
- Nebolo stlačené tlačidlo ŠTART/VYNULOVANIE.

**Dochádza k nepretržitému napúšťaniu a vypúšťaniu vody.**

- Vypúšťacia hadica sa nachádza mimo určeného rozmedzia od 65 do 100 cm nad zemou (*vid' str. 75*).
- koncová časť vypúšťacej hadice je ponorená vo vode (*vid' str. 75*).
- odpad v stene nie je vybavený zavzdušňovacím otvorom.

Keď ani po uvedených kontrolách nedôjde k odstráneniu problému, uzatvorte prívod vody, vypnite práčku a privolajte servisnú službu. V prípade, že sa byt nachádza na jednom z najvyšších poschodí, je možné, že dochádza k sifónovému efektu, následkom čoho práčka nepretržite napúšťa a vypúšťa vodu. Na odstránenie uvedeného efektu sú v predaji bežne dostupné špeciálne protisifónové ventily.

**Nedochádza k vyčerpaniu vody alebo k odstred'ovaniu.**

- Odčerpanie vody netvorí súčasť nastaveného programu: u niektorých programov je potrebné jeho manuálne uvedenie do činnosti (*vid' str. 78*).
- Bola aktivovaná voliteľná funkcia Jednoduché žehlenie: dokončenie pracieho cyklu je možné po stlačení tlačidla ŠTART/VYNULOVANIE (*vid' str. 79*).
- Vypúšťacia hadica je príliš ohnutá (*vid' str. 75*).
- Odpadové potrubie je upchaté.

**Počas odstred'ovania je možné pozorovať silné vibrácie.**

- Počas inštalácie nebol bubon odistený predpísaným spôsobom (*vid' str. 74*).
- Práčka nie je vyrovnaná do vodorovnej polohy (*vid' str. 74*).
- Práčka je zatlačená medzi nábytkom a stenou (*vid' str. 74*).

**Dochádza k úniku vody z práčky.**

- Prívodná hadica nie je správne pripojená (*vid' str. 74*).
- Dávkovač pracích prostriedkov je upchatý (spôsob jeho vyčistenia – *vid' str. 82*).
- Vypúšťacia hadica nie je upevnená predpísaným spôsobom (*vid' str. 75*).

**Dochádza k tvorbe nadmerného množstva peny.**

- Použitý prací prostriedok nie je vhodný pre použitie v automatickej práčke (musí obsahovať označenie „na pranie v práčke“, „na pranie v rukách alebo v práčke“ alebo podobné označenie).
- Bolo ho použité nadmerné množstvo.

SK

Inštalácia

Popis

Pracie programy

Pracie prostriedky

Opatrenia

Údržba

Poruchy

Servisná služba

## **Pred privolaním servisnej služby:**

- Skontrolujte, či nie ste schopní poruchu odstrániť sami (*vid' str. 83*);
- Opätovne uveďte do chodu prací program, s cieľom overiť, či bola porucha odstránená;
- V opačnom prípade sa obráťte na autorizované centrum servisnej služby, na telefónnom čísle uvedenom na záručnom liste.

**!** Nikdy sa neobracajte so žiadosťou o pomoc na technikov, ktorí nie sú na vykonávanie tejto činnosti oprávnení.

## **Pri hlásení poruchy uveďte:**

- druh poruchy;
- model práčky (Mod.);
- výrobné číslo (S/N).

tieto informácie sú uvedené na typovom štítku, nachádzajúcom sa na zadnej strane práčky.