

# Instructions for use

## WASHING MACHINE

GB

GB

English,1

F

Français,13

AR

عربي, 25

FA

,37

CSI

Русский,49

**PWC 7105 W**

### Contents

#### Installation, 2-3

Unpacking and levelling  
Connecting the electricity and water supplies  
The first wash cycle  
Technical data

#### Description of the washing machine and starting a wash cycle, 4-5

Control panel  
Indicator lights  
Starting a wash cycle

#### Wash cycles, 6

Table of wash cycles

#### Personalisation, 7

Setting the temperature  
Setting the spin speed  
Functions

#### Detergents and laundry, 8

Detergent dispenser drawer  
Preparing the laundry  
Garments requiring special care  
Load balancing system

#### Precautions and tips, 9

General safety  
Disposal  
Opening the porthole door manually

#### Care and maintenance, 10

Cutting off the water or electricity supply  
Cleaning the washing machine  
Cleaning the detergent dispenser drawer  
Cleaning the pump  
Checking the water inlet hose

#### Troubleshooting, 11

#### Service, 12

# Installation

GB

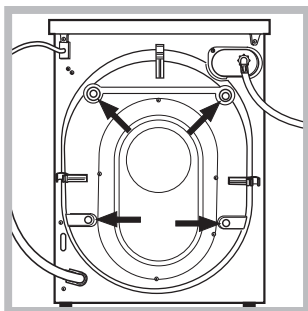
! This instruction manual should be kept in a safe place for future reference. If the washing machine is sold, transferred or moved, make sure that the instruction manual remains with the machine so that the new owner is able to familiarise himself/herself with its operation and features.

! Read these instructions carefully: they contain vital information relating to the safe installation and operation of the appliance.

## Unpacking and levelling

### Unpacking

1. Remove the washing machine from its packaging.
2. Make sure that the washing machine has not been damaged during the transportation process. If it has been damaged, contact the retailer and do not proceed any further with the installation process.



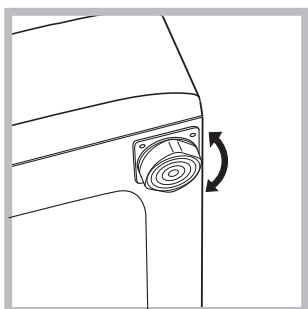
3. Remove the 4 protective screws (used during transportation) and the rubber washer with the corresponding spacer, located on the rear part of the appliance (see figure).

4. Close off the holes using the plastic plugs provided.
5. Keep all the parts in a safe place: you will need them again if the washing machine needs to be moved to another location.

! Packaging materials should not be used as toys for children.

### Levelling

1. Install the washing machine on a flat sturdy floor, without resting it up against walls, furniture cabinets or anything else.

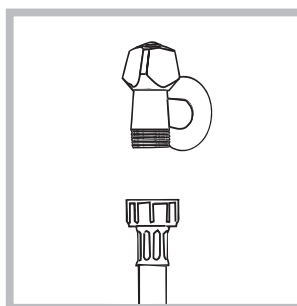


2. If the floor is not perfectly level, compensate for any unevenness by tightening or loosening the adjustable front feet (see figure); the angle of inclination, measured in relation to the worktop, must not exceed 2°.

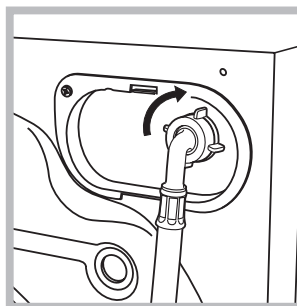
Levelling the machine correctly will provide it with stability, help to avoid vibrations and excessive noise and prevent it from shifting while it is operating. If it is placed on carpet or a rug, adjust the feet in such a way as to allow a sufficient ventilation space underneath the washing machine.

## Connecting the electricity and water supplies

### Connecting the water inlet hose



1. Connect the supply pipe by screwing it to a cold water tap using a 3/4 gas threaded connection (see figure). Before performing the connection, allow the water to run freely until it is perfectly clear.



2. Connect the inlet hose to the washing machine by screwing it onto the corresponding water inlet of the appliance, which is situated on the top right-hand side of the rear part of the appliance (see figure).

3. Make sure that the hose is not folded over or bent.

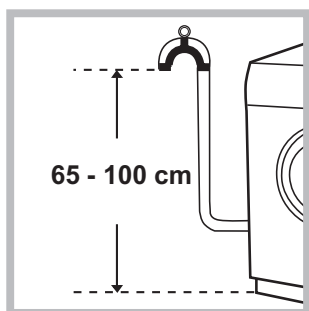
! The water pressure at the tap must fall within the values indicated in the Technical details table (see next page).

! If the inlet hose is not long enough, contact a specialised shop or an authorised technician.

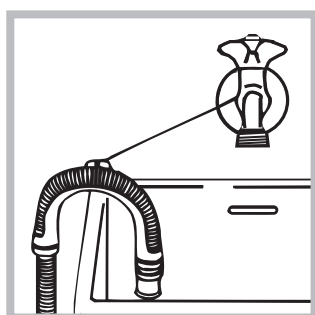
! Never use second-hand hoses.

! Use the ones supplied with the machine.

### Connecting the drain hose



Connect the drain hose, without bending it, to a drainage duct or a wall drain located at a height between 65 and 100 cm from the floor;



alternatively, rest it on the side of a washbasin or bathtub, fastening the duct supplied to the tap (see figure). The free end of the hose should not be underwater.

! We advise against the use of hose extensions; if it is absolutely necessary, the extension must have the same diameter as the original hose and must not exceed 150 cm in length.

### Electrical connections

Before plugging the appliance into the electricity socket, make sure that:

- the socket is earthed and complies with all applicable laws;
- the socket is able to withstand the maximum power load of the appliance as indicated in the Technical data table (see opposite);
- the power supply voltage falls within the values indicated in the Technical data table (see opposite);
- the socket is compatible with the plug of the washing machine. If this is not the case, replace the socket or the plug.

! The washing machine must not be installed outdoors, even in covered areas. It is extremely dangerous to leave the appliance exposed to rain, storms and other weather conditions.

! When the washing machine has been installed, the electricity socket must be within easy reach.

! Do not use extension cords or multiple sockets.

! The cable should not be bent or compressed.

! The power supply cable must only be replaced by authorised technicians.

Warning! The company shall not be held responsible in the event that these regulations are not respected.

### The first wash cycle

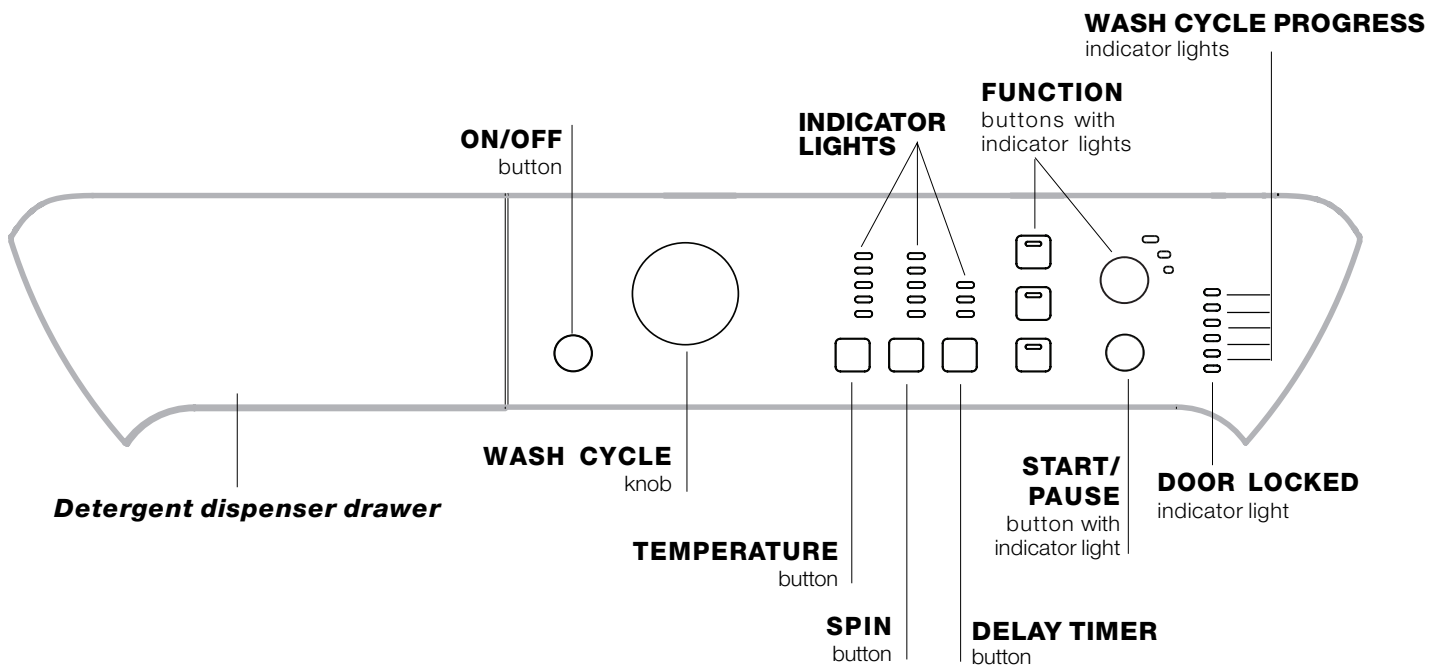
Once the appliance has been installed, and before you use it for the first time, run a wash cycle with detergent and no laundry, using the wash cycle **2**.

Technical data	
<b>Model</b>	PWC 7105 W
<b>Dimensions</b>	width 59.5 cm height 85 cm depth 55 cm
<b>Capacity</b>	from 1 to 7 kg
<b>Electrical connections</b>	please refer to the technical data plate fixed to the machine
<b>Water connections</b>	maximum pressure 1 MPa (10 bar) minimum pressure 0.05 MPa (0.5 bar) drum capacity 52 litres
<b>Spin speed</b>	up to 1000 rotations per minute
<b>Energy rated programmes according to regulation EN 60456</b>	programme 2; temperature 60°C; using a load of 7 kg.
	This appliance conforms to the following EC Directives: - 89/336/EEC dated 03/05/89 (Electromagnetic Compatibility) and subsequent modifications - 2002/96/EC - 2006/95/EC Low Voltage)

# Description of the washing machine and starting a wash cycle

GB

## Control panel



**Detergent dispenser drawer:** used to dispense detergents and washing additives (see “Detergents and laundry”).

**ON/OFF button:** switches the washing machine on and off.

**WASH CYCLE knob:** programmes the wash cycles. During the wash cycle, the knob does not move.

**FUNCTION buttons with indicator light:** used to select the available functions. The indicator light corresponding to the selected function will remain lit.

**TEMPERATURE button:** sets the temperature or the cold wash cycle (see “Personalisation”).

**SPIN button:** sets the spin speed or exclude the spin cycle completely (see “Personalisation”).

**DELAY TIMER button:** delays the start of the wash cycle by up to 9 hours.

Press the button repeatedly until the indicator light corresponding to the desired delay time turns on. When the button is pressed for the fourth time, the option will be deactivated.


**N.B.:** once the START/PAUSE button has been pressed, the delay time can only be modified by decreasing it until the set programme is launched.

! This option is available on all programmes.

**WASH CYCLE PROGRESS indicator lights:** used to monitor the progress of the wash cycle. The illuminated indicator light shows which phase is in progress.

**DOOR LOCKED indicator light:** indicates whether the door may be opened or not (see next page).

**START/PAUSE button with indicator light:** starts or temporarily interrupts the wash cycles.

**N.B.** To pause the wash cycle in progress, press this button; the corresponding indicator light will flash orange, while the indicator light for the current wash cycle phase will remain lit in a fixed manner. If the DOOR LOCKED  indicator light is switched off, the door may be opened.

To start the wash cycle from the point at which it was interrupted, press this button again.

### Standby mode

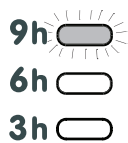
This washing machine, in compliance with new energy saving regulations, is fitted with an automatic standby system which is enabled after a few minutes if no activity is detected. Press the ON-OFF button briefly and wait for the machine to start up again.

## Indicator lights

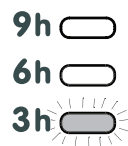
The indicator lights provide important information. This is what they can tell you:

### Delayed start

If the DELAY TIMER function has been activated (see "Personalisation"), after the wash cycle has been started the indicator light corresponding to the selected delay period will begin to flash:



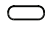


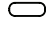

As time passes, the remaining delay will be displayed and the corresponding indicator light will flash:



The set programme will start once the selected time delay has expired.

### Wash cycle phase indicator lights

Once the desired wash cycle has been selected and has begun, the indicator lights switch on one by one to indicate which phase of the cycle is currently in progress.

Wash	
Rinse	
Spin	
Drain	
End of wash cycle	 END

### Function buttons and corresponding indicator lights

When a function is selected, the corresponding indicator light will illuminate.

If the selected function is not compatible with the programmed wash cycle, the corresponding indicator light will flash and the function will not be activated. If the selected function is not compatible with another function which has been selected previously, the indicator light corresponding to the first function selected will flash and only the second function will be activated; the indicator light corresponding to the enabled option will remain lit.

**Note:** if the SMART function is active, all other non-compatible functions cannot be activated.

### Door locked indicator light

When the indicator light is on, the porthole door is locked to prevent it from being opened; make sure the indicator light is off before opening the door.


To open the door during a running wash cycle, press the START/PAUSE button; the door may be opened once the DOOR LOCKED indicator light turns off.

**!** If the "functions" and START/PAUSE indicator lights flash fast and the "current phase" and DOOR LOCKED indicator lights turn on, there is an anomaly (see "Troubleshooting").

## Starting a wash cycle

1. Turn the washing machine on by pressing the ON/OFF button. All the indicator lights will turn on for a few seconds, then only the indicator lights relative to the selected programme settings will remain lit and the START/PAUSE indicator light will flash.
2. Load the laundry and close the door.
3. Set the WASH CYCLE knob to the desired programme.
4. Set the washing temperature (see "Personalisation").
5. Set the spin speed (see "Personalisation").
6. Measure out the detergent and washing additives (see "Detergents and laundry").
7. Select the desired functions.
8. Start the wash cycle by pressing the START/PAUSE button and the corresponding indicator light will remain lit in a fixed manner, in blue.



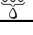
To cancel the set wash cycle, pause the machine by pressing the START/PAUSE button and select a new cycle.

9. At the end of the wash cycle the END indicator light will switch on. The door can be opened once the DOOR LOCK  indicator light turns off. Take out your laundry and leave the appliance door ajar to make sure the drum dries completely. Switch the washing machine off by pressing the ON/OFF button.

# Wash cycles

GB

Table of wash cycles

Wash cycles	Description of the wash cycle	Max. temp. (°C)	Max. speed (rpm)	Detergents				Max. load (kg)	Cycle duration
				Pre-wash	Main wash	Bleach	Fabric softener		
<b>Smart cycles</b>									
1	<b>Cottons with Pre-wash:</b> extremely soiled whites.	90°	1000	●	●	-	●	7	171
2	<b>Cotton:</b> extremely soiled whites.	90°	1000	-	●	●	●	7	152
2	<b>Cotton (1):</b> heavily soiled whites and resistant colours.	60°	1000	-	●	●	●	7	153
2	<b>Cotton (2):</b> heavily soiled whites and delicate colours.	40°	1000	-	●	●	●	7	147
3	<b>White Cotton:</b> heavily soiled whites and resistant colours.	60°	1000	-	●	●	●	7	130
4	<b>Coloured Cottons (3):</b> lightly soiled whites and delicate colours.	40°	1000	-	●	●	●	7	92
5	<b>Synthetics:</b> heavily soiled resistant colours.	60°	800	-	●	●	●	3	80
6	<b>Synthetics:</b> lightly soiled resistant colours.	40°	800	-	●	●	●	3	74
7	<b>Jeans</b>	40°	800	-	●	-	●	3,5	80
8	<b>Shirts</b>	40°	600	-	●	●	●	2	70
9	<b>Mix-Cool 30°:</b> to refresh lightly soiled garments quickly (not suitable for wool, silk and clothes which require washing by hand).	Cold water	800	-	●	-	●	3	30
<b>Special cycles</b>									
10	<b>Wool:</b> for wool, cashmere, etc.	40°	600	-	●	-	●	1,5	55
11	<b>Silk:</b> for garments in silk and viscose, lingerie.	30°	0	-	●	-	●	1	55
12	<b>Sport Shoes</b>	30°	600	-	●	-	●	Max. 2 pairs	50
13	<b>Outwear*</b>	30°	400	-	●	-	-	2	46
<b>Partial cycles</b>									
	Rinse	-	1000	-	-	●	●	7	36
	Spin	-	1000	-	-	-	-	7	16
	Drain	-	0	-	-	-	-	7	2

The information contained in the table is intended as a guide only.

For all Test Institutes:

- 1) Test wash cycle in compliance with regulation EN 60456: set wash cycle 2 with a temperature of 60°C.
- 2) Long wash cycle for cottons: set wash cycle 2 with a temperature of 40°C.
- 3) Short wash cycle for cottons: set wash cycle 4 with a temperature of 40°C.

## Setting the temperature

Press the TEMPERATURE button to set the wash temperature (see *Table of wash cycles*).

The temperature may be lowered, or even set to a cold wash ❄️.

The washing machine will automatically prevent you from selecting a temperature which is higher than the maximum value set for each wash cycle.

## Setting the spin speed

Press the SPIN SPEED button to set the spin speed for the selected wash cycle.

The maximum spin speeds available for each wash cycle are as follows:

Wash cycles	Maximum spin speed
Cottons	1000 rpm
Synthetics	800 rpm
Wool	600 rpm
Silk	drain only

The spin speed may be lowered, or the spin cycle can be excluded altogether by selecting the symbol ⓪.

The washing machine will automatically prevent you from selecting a spin speed which is higher than the maximum speed set for each wash cycle.

## Functions

The various wash functions available with this washing machine will help to achieve the desired results, every time.

To activate the functions:

1. Press the button corresponding to the desired function;
2. the function is enabled when the corresponding indicator light is illuminated.

Note: If the indicator light flashes rapidly, this signals that this particular function may not be selected in conjunction with the selected wash cycle.

### SMART

The **SMART** option optimises washing to suit the quantity of laundry loaded into the machine, thereby reducing the overall wash cycle duration while minimising water and energy consumption. Press the **SMART** button to select the type of wash cycle desired:

**Intense:** vigorous wash cycle for garments with a heavy soil level.

**4 You:** standard wash cycle for garments with a normal soil level.

**Fast:** quick wash cycle for garments with a light soil level.

! This may only be used in conjunction with wash cycles 1, 2, 3, 4, 5, 6 (all three levels) and 7, 8, 9 (**4 You** and **Fast** levels).

### **Extra Rinse**

By selecting this option, the efficiency of the rinse is increased and optimal detergent removal is guaranteed. It is particularly useful for sensitive skin.

! It cannot be used in conjunction with wash cycles 9, ⓪, ❄️.

### **Easy iron**

By selecting this function, the wash and spin cycles will be modified in order to reduce the formation of creases. At the end of the cycle the washing machine will perform slow rotations of the drum, while the EASY IRON and START/PAUSE indicator lights will flash (blue and orange respectively). To end the cycle, press the START/PAUSE button or the EASY IRON button. For wash cycles number 11-13, the machine will end the cycle while the laundry is soaking; the EASY IRON and START/PAUSE indicator lights will flash. To drain the water so that the laundry may be removed, press the START/PAUSE button or the EASY IRON button.

! It cannot be used in conjunction with wash cycles 9, 10, 12, ⓪, ❄️.

### **Stain removal**

Bleaching cycle designed to remove the toughest stains. Please remember to pour the bleach into extra compartment 4 (see "*Bleach cycle*").

! This function may not be used in conjunction with wash cycles 1, 7, 9, 10, 11, 12, 13, ⓪, ❄️.



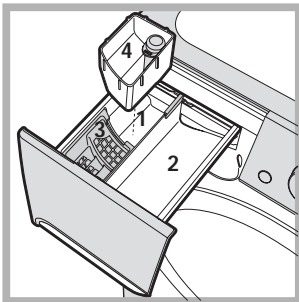
# Detergents and laundry

GB

## Detergent dispenser drawer

Good washing results also depend on the correct dose of detergent: adding too much detergent will not necessarily result in a more efficient wash, and may in fact cause build up on the inside of your appliance and contribute to environmental pollution.

! Do not use hand washing detergents because these create too much foam.



Open the detergent dispenser drawer and pour in the detergent or washing additive, as follows.

### Compartment 1: Pre-wash detergent (powder)

Before pouring in the detergent, make sure that

extra compartment 4 has been removed.

### compartment 2: Detergent for the wash cycle (powder or liquid)

Liquid detergent should only be poured in immediately prior to the start of the wash cycle.




### compartment 3: Additives (fabric softeners, etc.)

The fabric softener should not overflow the grid.

### extra compartment 4: Bleach

## Bleach cycle

! **Traditional** bleach should be used on sturdy white fabrics, and **delicate** bleach for coloured fabrics, synthetics and for wool.

This option is particularly useful for the removal of stubborn stains. Place extra compartment 4 (supplied) into compartment 1. When pouring in the bleach, be careful not to exceed the "max" level marked on the central pivot (see figure). To run the bleach cycle on its own, pour the bleach into extra compartment 4, set the "Rinse"  programme and activate the "Stain removal"  option. To bleach during a wash cycle, pour in the detergent and any fabric softener you wish to use, set the desired wash cycle and enable the "Stain removal"  option. The use of extra compartment 4 excludes the "Pre-wash" option.

## Preparing the laundry

- Divide the laundry according to:
  - the type of fabric/the symbol on the label
  - the colours: separate coloured garments from whites.
- Empty all garment pockets and check the buttons.
- Do not exceed the listed values, which refer to the weight of the laundry when dry:
  - Durable fabrics: max. 7 kg
  - Synthetic fabrics: max. 3 kg

Delicate fabrics: max. 2 kg

Wool: max. 1,5 kg

Silk: max. 1 kg

## How much does your laundry weigh?

- 1 sheet 400-500 g
- 1 pillow case 150-200 g
- 1 tablecloth 400-500 g
- 1 bathrobe 900-1200 g
- 1 towel 150-250 g


## Garments requiring special care

**Jeans:** turn the garments inside out before washing and use liquid detergent. Use wash cycle 7.

**Shirts:** use special wash cycle 8 to wash shirts in various fabrics and colours.

It guarantees maximum care is taken of the garments and minimises the formation of creases.

**Mix-Cool 30':** this wash cycle was designed to wash lightly soiled garments quickly: it lasts just 30 minutes and therefore saves both energy and time. By selecting wash cycle 9, it is possible to wash different fabrics (except for wool and silk items) using a cold cycle, up to a maximum load of 3 kg.

**Wool:** wash cycle 10 can be used to wash all woollen garments in the machine, even those carrying the "hand wash only"  label. To achieve the best results, use a special detergent and do not exceed the maximum load of 1,5 kg.

**Silk:** use special wash cycle 11 to wash all silk garments. We recommend the use of special detergent which has been designed to wash delicate clothes.

**Curtains:** we recommend you fold the curtains and place them in a pillow case or mesh bag. Use wash cycle 11.

**Sport Shoes** (wash cycle 12): is for washing sports shoes; for best results, do not wash more than 2 pairs simultaneously.

**Outwear** (wash cycle 13): is studied for washing water-repellent fabrics and winter jackets (e.g. Gore-Tex, polyester, nylon); for best results, use a liquid detergent and dosage suitable for a half-load; pre-treat necks, cuffs and stains if necessary; do not use softeners or detergents containing softeners. *Stuffed duvets cannot be washed with this programme.*

## Load balancing system

Before every spin cycle, to avoid excessive vibrations and to distribute the load in a uniform manner, the drum rotates continuously at a speed which is slightly greater than the washing rotation speed. If, after several attempts, the load is not balanced correctly, the machine spins at a reduced spin speed. If the load is excessively unbalanced, the washing machine performs the distribution process instead of spinning. To encourage improved load distribution and balance, we recommend small and large garments are mixed in the load.



! This washing machine was designed and constructed in accordance with international safety regulations. The following information is provided for safety reasons and must therefore be read carefully.

## General safety

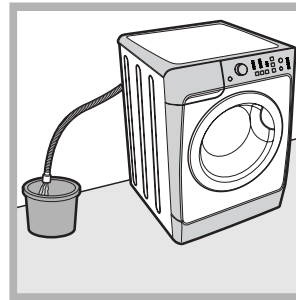
- This appliance was designed for domestic use only.
- The washing machine must only be used by adults, in accordance with the instructions provided in this manual.
- Do not touch the machine when barefoot or with wet or damp hands or feet.
- Do not pull on the power supply cable when unplugging the appliance from the electricity socket. Hold the plug and pull.
- Do not open the detergent dispenser drawer while the machine is in operation.
- Do not touch the drained water as it may reach extremely high temperatures.
- Never force the porthole door. This could damage the safety lock mechanism designed to prevent accidental opening.
- If the appliance breaks down, do not under any circumstances access the internal mechanisms in an attempt to repair it yourself.
- Always keep children well away from the appliance while it is operating.
- The door can become quite hot during the wash cycle.
- If the appliance has to be moved, work in a group of two or three people and handle it with the utmost care. Never try to do this alone, because the appliance is very heavy.
- Before loading laundry into the washing machine, make sure the drum is empty.

## Disposal

- Disposing of the packaging materials: observe local regulations so that the packaging may be re-used.
- The European Directive 2002/96/EC on Waste Electrical and Electronic Equipment, requires that old household electrical appliances must not be disposed of in the normal unsorted municipal waste stream. Old appliances must be collected separately in order to optimise the recovery and recycling of the materials they contain and reduce the impact on human health and the environment. The crossed out "wheeled bin" symbol on the product reminds you of your obligation, that when you dispose of the appliance it must be separately collected.  
Consumers should contact their local authority or retailer for information concerning the correct disposal of their old appliance.

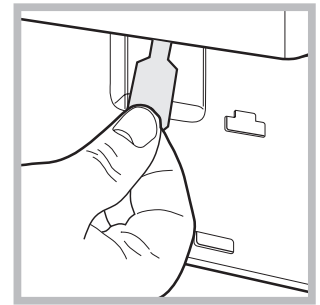
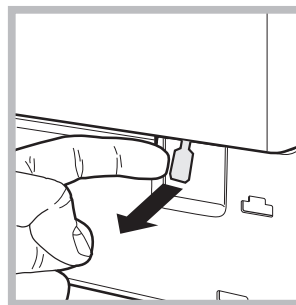
## Opening the porthole door manually

In the event that it is not possible to open the porthole door due to a powercut, and if you wish to remove the laundry, proceed as follows:



1. remove the plug from the electrical socket.
2. make sure the water level inside the machine is lower than the door opening; if it is not, remove excess water using the drain hose, collecting it in a bucket as indicated in the figure.

3. remove the cover panel on the lower front part of the washing machine (see overleaf).



4. pull outwards using the tab as indicated in the figure, until the plastic tie-rod is freed from its stop position; pull downwards and open the door at the same time.

5. reposition the panel, making sure the hooks are securely in place before you push it onto the appliance.

# Care and maintenance

GB

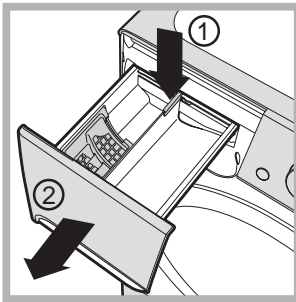
## Cutting off the water and electricity supplies

- Turn off the water tap after every wash cycle. This will limit wear on the hydraulic system inside the washing machine and help to prevent leaks.
- Unplug the washing machine when cleaning it and during all maintenance work.

## Cleaning the washing machine

The outer parts and rubber components of the appliance can be cleaned using a soft cloth soaked in lukewarm soapy water. Do not use solvents or abrasives.

## Cleaning the detergent dispenser drawer



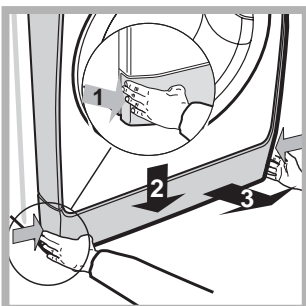
To remove the drawer, press lever (1) and pull the drawer outwards (2) (see figure). Wash it under running water; this procedure should be repeated frequently.

## Cleaning the pump

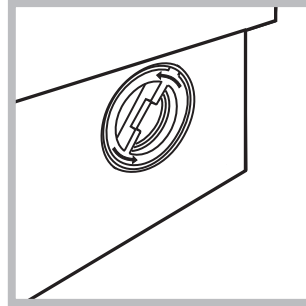
The washing machine is fitted with a self-cleaning pump which does not require any maintenance. Sometimes, small items (such as coins or buttons) may fall into the pre-chamber which protects the pump, situated in its bottom part.

! Make sure the wash cycle has finished and unplug the appliance.

To access the pre-chamber:



1. take off the cover panel on the front of the machine by first pressing it in the centre and then pushing downwards on both sides until you can remove it (see figures);



2. unscrew the lid by rotating it anti-clockwise (see figure): a little water may trickle out. This is perfectly normal;

3. clean the inside thoroughly;
4. screw the lid back on;
5. reposition the panel, making sure the hooks are securely in place before you push it onto the appliance.

## Checking the water inlet hose

Check the inlet hose at least once a year. If there are any cracks, it should be replaced immediately: during the wash cycles, water pressure is very strong and a cracked hose could easily split open.

! Never use second-hand hoses.

Your washing machine could fail to work. Before contacting the Technical Assistance Centre (see "Assistance"), make sure that the problem cannot be not solved easily using the following list.

## Problem:

## Possible causes / Solutions:

**The washing machine does not switch on.**

- The appliance is not plugged into the socket fully, or is not making contact.
- There is no power in the house.

**The wash cycle does not start.**

- The washing machine door is not closed properly.
- The ON/OFF button has not been pressed.
- The START/PAUSE button has not been pressed.
- The water tap has not been opened.
- A delayed start has been set (see "Personalisation").

**The washing machine does not take in water (the indicator light for the first wash cycle stage flashes rapidly).**

- The water inlet hose is not connected to the tap.
- The hose is bent.
- The water tap has not been opened.
- There is no water supply in the house.
- The pressure is too low.
- The START/PAUSE button has not been pressed.

**The washing machine continuously takes in and drains water.**

- The drain hose is not fitted at a height between 65 and 100 cm from the floor (see "Installation").
- The free end of the hose is under water (see "Installation").
- The wall drainage system is not fitted with a breather pipe.

If the problem persists even after these checks, turn off the water tap, switch the appliance off and contact the Assistance Service. If the dwelling is on one of the upper floors of a building, there may be problems relating to water drainage, causing the washing machine to fill with water and drain continuously. Special anti-draining valves are available in shops and help to avoid this inconvenience.

**The washing machine does not drain or spin.**

- The wash cycle does not include draining: some wash cycles require the drain phase to be started manually.
- The "Easy iron" function is enabled: to complete the wash cycle, press the START/PAUSE button ("Personalisation").
- The drain hose is bent (see "Installation").
- The drainage duct is clogged.

**The washing machine vibrates a lot during the spin cycle.**

- The drum was not unlocked correctly during installation (see "Installation").
- The washing machine is not level (see "Installation").
- The washing machine is trapped between cabinets and walls (see "Installation").

**The washing machine leaks.**

- The water inlet hose is not screwed on properly (see "Installation").
- The detergent dispenser drawer is blocked (for cleaning instructions, see "Care and maintenance").
- The drain hose is not fixed properly (see "Installation").

**The "Functions" indicator lights and the "start/pause" indicator light flash, while one of the "phase in progress" indicator lights and the "door locked" indicator light will remain lit in a fixed manner.**

- Switch off the machine and unplug it, wait for approximately 1 minute and then switch it back on again.
- If the problem persists, contact the Technical Assistance Service.

**There is too much foam.**

- The detergent is not suitable for machine washing (it should display the text "for washing machines" or "hand and machine wash", or the like).
- Too much detergent was used.

# Service

---

GB

## **Before calling for Assistance:**

- Check whether you can solve the problem alone (see “*Troubleshooting*”);
- Restart the programme to check whether the problem has been solved;
- If this is not the case, contact an authorised Technical Assistance Centre using the telephone number provided on the guarantee certificate.

! Always request the assistance of authorised technicians.

## **Have the following information to hand:**

- the type of problem;
- the appliance model (Mod.);
- the serial number (S/N).

This information can be found on the data plate applied to the rear of the washing machine, and can also be found on the front of the appliance by opening the door.

FR

Français

**PWC 7105 W**

### Sommaire

#### Installation, 14-15

Déballage et mise à niveau  
Raccordements eau et électricité  
Premier cycle de lavage  
Caractéristiques techniques

#### Description du lave-linge et démarrage d'un programme, 16-17

Bandeau de commandes  
Voyants  
Démarrage d'un programme

#### Programmes, 18

Tableau des programmes

#### Personnalisations, 19

Sélection de la température  
Sélection de l'essorage  
Options

#### Produits lessiviels et linge, 20

Tiroir à produits lessiviels  
Cycle blanchissage  
Triage du linge  
Linge ou vêtements particuliers  
Système d'équilibrage de la charge

#### Précautions et conseils, 21

Sécurité générale  
Mise au rebut  
Ouverture manuelle de la porte hublot

#### Entretien et soin, 22

Coupure de l'arrivée d'eau et du courant  
Nettoyage du lave-linge  
Nettoyage du tiroir à produits lessiviels.  
Nettoyage de la pompe  
Contrôle du tuyau d'arrivée de l'eau

#### Anomalies et remèdes, 23

#### Assistance, 24

# Installation

FR

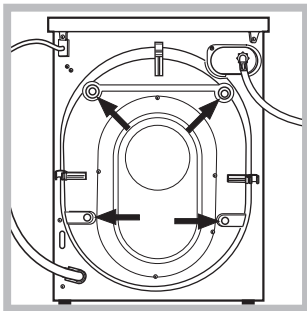
! Conserver ce mode d'emploi pour pouvoir le consulter à tout moment. En cas de vente, de cession ou de déménagement, veiller à ce qu'il suive toujours le lave-linge pour que son nouveau propriétaire soit informé sur son mode de optionnement et puisse profiter des conseils correspondants.

! Lire attentivement les instructions: elles fournissent des conseils importants sur l'installation, l'utilisation et la sécurité de l'appareil.

## Déballage et mise à niveau

### Déballage

1. Débarrer le lave-linge.
2. Contrôler que le lave-linge n'a pas été endommagé pendant le transport. S'il est abîmé, ne pas le raccorder et contacter le vendeur.



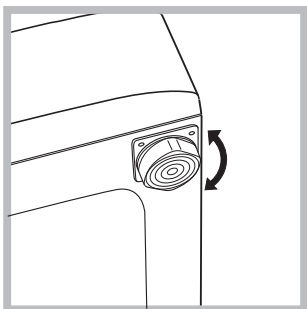
3. Enlever les 4 vis de protection servant au transport, le caoutchouc et la cale, placés dans la partie arrière (voir figure).

4. Boucher les trous à l'aide des bouchons plastique fournis.
5. Conserver toutes ces pièces: il faudra les remonter en cas de transport du lave-linge.

! Les pièces d'emballage ne sont pas des jouets pour enfants.

### Mise à niveau

1. Installer le lave-linge sur un sol plat et rigide, sans l'appuyer contre des murs, des meubles ou autre.

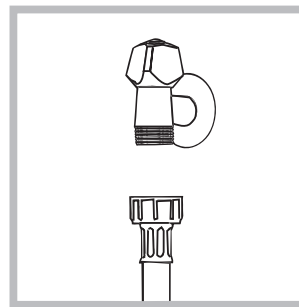


2. Si le sol n'est pas parfaitement horizontal, visser ou dévisser les pieds de réglage avant (voir figure) pour niveler l'appareil; son angle d'inclinaison, mesuré sur le plan de travail, ne doit pas dépasser 2°.

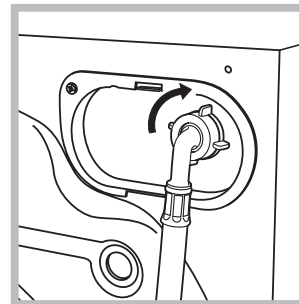
Une bonne mise à niveau garantit la stabilité de l'appareil et évite qu'il y ait des vibrations, du bruit et des déplacements en cours de optionnement. Si la machine est posée sur de la moquette ou un tapis, régler les pieds de manière à ce qu'il y ait suffisamment d'espace pour assurer une bonne ventilation.

## Raccordements eau et électricité

### Raccordement du tuyau d'arrivée de l'eau



1. Reliez le tuyau d'alimentation en le vissant à un robinet d'eau froide à embout fileté 3/4 gaz (voir figure). Faire couler l'eau jusqu'à ce qu'elle soit limpide et sans impuretés avant de raccorder.



2. Raccorder le tuyau d'arrivée de l'eau au lave-linge en le vissant à la prise d'eau prévue, dans la partie arrière en haut à droite (voir figure).

3. Attention à ce que le tuyau ne soit pas plié ou écrasé.

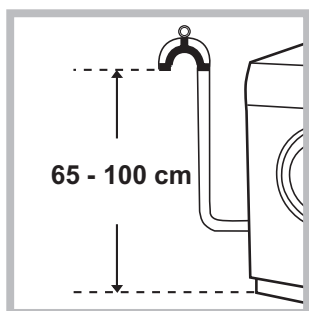
! La pression de l'eau doit être comprise entre les valeurs indiquées dans le tableau des Caractéristiques techniques (voir page ci-contre).

! Si la longueur du tuyau d'alimentation ne suffit pas, s'adresser à un magasin spécialisé ou à un technicien agréé.

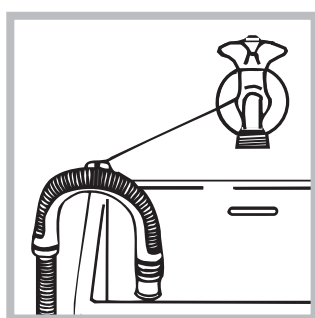
! N'utiliser que des tuyaux neufs.

! Utiliser ceux qui sont fournis avec l'appareil.

### Raccordement du tuyau de vidange



Raccorder le tuyau d'évacuation, sans le plier, à un conduit d'évacuation ou à une évacuation murale placés à une distance du sol comprise entre 65 et 100 cm;



ou bien l'accrocher à un évier ou à une baignoire, dans ce cas, fixer le support en plastique fourni avec l'appareil au robinet (voir figure). L'extrémité libre du tuyau d'évacuation ne doit pas être plongée dans l'eau.

! L'utilisation d'un tuyau de rallonge est absolument déconseillée mais si on ne peut faire autrement, il faut absolument qu'il ait le même diamètre que le tuyau original et sa longueur ne doit pas dépasser 150 cm.

### Branchement électrique

Avant de brancher la fiche dans la prise de courant, s'assurer que:

- la prise est bien reliée à la terre et est conforme aux réglementations en vigueur;
- la prise est bien apte à supporter la puissance maximale de l'appareil indiquée dans le tableau des Caractéristiques techniques (voir ci-contre);
- la tension d'alimentation est bien comprise entre les valeurs figurant dans le tableau des Caractéristiques techniques (voir ci-contre);
- la prise est bien compatible avec la fiche du lave-linge. Autrement, remplacer la prise ou la fiche.

! Le lave-linge ne doit pas être installé dehors, même à l'abri, car il est très dangereux de le laisser exposé à la pluie et aux orages.

! Après installation du lave-linge, la prise de courant doit être facilement accessible.

! N'utiliser ni rallonges ni prises multiples.

! Le câble ne doit être ni plié ni trop écrasé.

! Le câble d'alimentation ne doit être remplacé que par des techniciens agréés.

Attention! Nous déclinons toute responsabilité en cas de non-respect des normes énumérées ci-dessus.

### Premier cycle de lavage

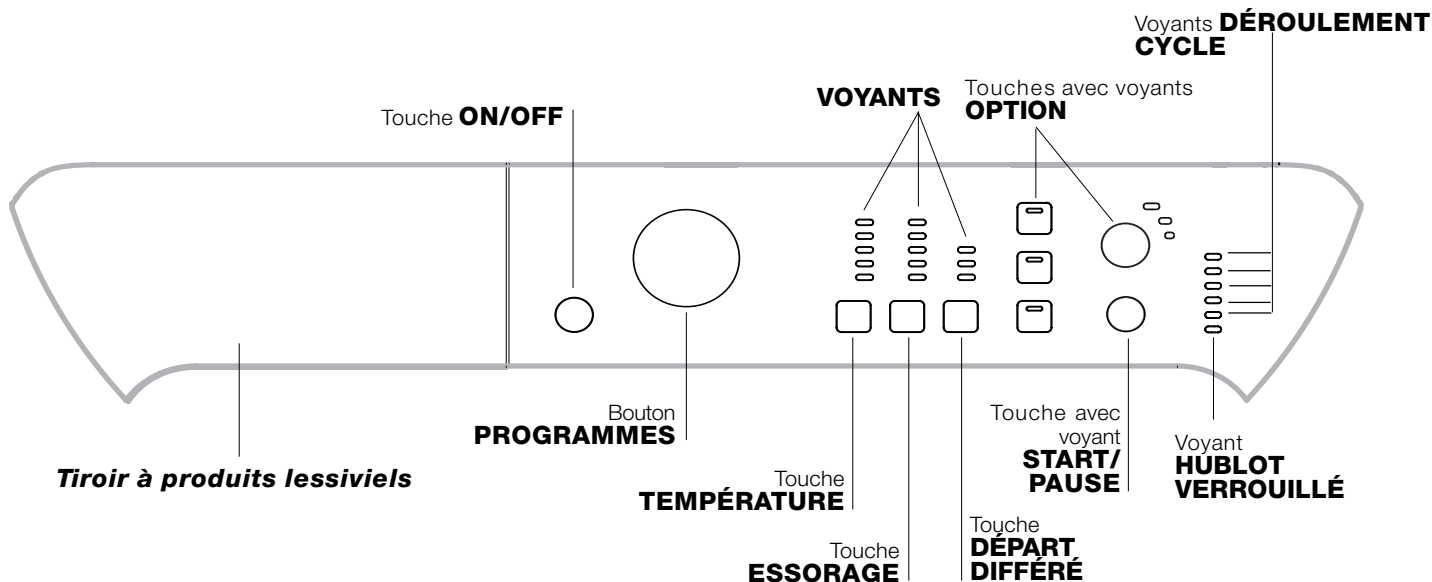
Avant la première mise en service de l'appareil, effectuer un cycle de lavage avec un produit lessiviel mais sans linge et sélectionner le programme 2.

Caractéristiques techniques	
<b>Modèle</b>	PWC 7105 W
<b>Dimensions</b>	largeur 59,5 cm hauteur 85 cm profondeur 55 cm
<b>Capacité</b>	de 1 à 7 kg
<b>Raccordements électriques</b>	Voir la plaque signalétique appliquée sur la machine
<b>Raccordements hydrauliques</b>	pression maximale 1 MPa (10 bar) pression minimale 0,05 MPa (0,5 bar) capacité du tambour 52 litres
<b>Vitesse d'essorage</b>	jusqu'à 1000 tours minute
<b>Programmes de contrôle selon la norme EN 60456</b>	programme 2; température 60°C; effectué avec une charge de 7 kg.
<p>Cet appareil est conforme aux Directives Communautaires suivantes: - 89/336/CEE du 03/05/89 (Compatibilité électromagnétique) et modifications suivantes - 2002/96/CE - 2006/95/CE (Basse Tension)</p>	



# Description du lave-linge et démarrage d'un programme

## Bandeau de commandes



**Tiroir à produits lessiviels:** pour charger les produits lessiviels et les additifs (voir "Produits lessiviels et linge").

Touche **ON/OFF:** pour allumer ou éteindre le lave-linge.

Bouton **PROGRAMMES:** pour sélectionner les programmes. Pendant le programme, le bouton ne tournera pas.

Touches avec voyants **OPTION:** pour sélectionner les options disponibles. Le voyant correspondant à la option sélectionnée restera allumé.

Touche **TEMPÉRATURE:** pour sélectionner la température ou un lavage à froid (voir "Personnalisations").

Touche **ESSORAGE:** pour sélectionner l'essorage ou le supprimer (voir "Personnalisations").


Touche **DÉPART DIFFÉRÉ:** pour différer la mise en marche de votre machine jusqu'à 9 heures. Appuyer plusieurs fois de suite sur la touche jusqu'à ce que le voyant correspondant au retard souhaité s'allume. A la quatrième pression sur la touche, l'option se désactive.

**N.B.:** Après avoir appuyé sur la touche START/PAUSE, le retard programmé ne peut être modifié que pour le diminuer jusqu'à lancer le programme sélectionné.

! Il est activé avec tous les programmes.

Voyants **DÉROULEMENT CYCLE:** pour suivre le stade d'avancement du programme de lavage. Le voyant allumé indique la phase de lavage en cours.

Voyant **HUBLOT VERROUILLÉ:** indique si la porte est verrouillée (voir page ci-contre).

Touche avec voyant **START/PAUSE:** pour démarrer les programmes ou les interrompre momentanément. **N.B.:** pour effectuer une pause du lavage en cours, appuyer sur cette touche, le voyant correspondant se mettra à clignoter en orange tandis que celui de la phase en cours restera allumé fixe. Si le voyant HUBLOT VERROUILLÉ  est éteint, on peut ouvrir la porte.

Pour faire redémarrer le lavage exactement de l'endroit où il a été interrompu, appuyer une nouvelle fois sur la touche.

### Stand-by

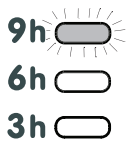
Ce lave-linge, conformément aux nouvelles normes en vigueur dans le domaine de l'économie d'énergie, est équipée d'un système d'extinction automatique (veille) activé après quelques minutes d'inutilisation. Appuyez brièvement sur la touche ON/OFF et attendre que la machine soit réactivée.

## Voyants

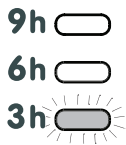
Les voyants fournissent des informations importantes. Voilà ce qu'ils signalent:

### Départ différé

Si la option "Départ différé" a été activée (voir "Personnalisations"), le voyant correspondant au temps sélectionné se mettra à clignoter, après avoir lancé le programme:





Au fur et à mesure que le temps passe, le temps restant est affiché avec clignotement du voyant correspondant.



Quand le retard sélectionné touche à sa fin le programme sélectionné démarre.

### Voyants phase en cours

Une fois que le cycle de lavage sélectionné a démarré, les voyants s'allument progressivement pour indiquer son stade d'avancement:

Lavage	
Rinçage	
Essorage	
Vidange	
Fin de Lavage	

### Touches options et voyants correspondants

La sélection d'une option entraîne l'allumage du voyant correspondant.

Si la option sélectionnée est incompatible avec le programme sélectionné, le voyant correspondant se met à clignoter et la option n'est pas activée.

Si l'option sélectionnée est incompatible avec une autre option précédemment sélectionnée, le voyant correspondant à la première option se met à clignoter et seule la deuxième option est activée, le voyant de la touche s'allume au fixe.

**Remarque:** si l'option SMART est activée, aucune autre option non compatible ne pourra être activée.


### Voyant hublot verrouillé

Le voyant allumé indique que le hublot est verrouillé pour en empêcher l'ouverture. Attendre que le voyant cesse de clignoter avant d'ouvrir la porte.

Pour ouvrir le hublot tandis qu'un cycle est en cours, appuyer sur la touche START/PAUSE; si le voyant HUBLOT VERROUILLÉ est éteint, on peut ouvrir le hublot.

**!** Le clignotement rapide des voyants des "Fonctions" et du voyant START/PAUSE en même temps que l'allumage des voyants de la "phase de lavage en cours" et du HUBLOT VERROUILLÉ signalent une anomalie (consulter "Anomalies et remèdes").



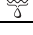
## Démarrage d'un programme

1. Allumer le lave-linge en appuyant sur la touche ON/OFF. Tous les voyants s'allumeront pendant quelques secondes, ne resteront ensuite allumés que les voyants correspondant aux sélections du programme en cours et le voyant START/PAUSE se mettra à clignoter.
2. Charger le linge et fermer le hublot.
3. Sélectionner à l'aide du bouton PROGRAMMES le programme désiré.
4. Sélectionner la température de lavage (voir "Personnalisations").
5. Sélectionner la vitesse d'essorage (voir "Personnalisations").
6. Verser les produits lessiviels et les additifs (voir "Produits lessiviels et linge").
7. Sélectionner les options désirées.
8. Appuyer sur la touche START/PAUSE pour démarrer le programme, le voyant correspondant bleu restera allumé en fixe. Pour annuler le cycle sélectionné, appuyer sur la touche START/PAUSE pour placer l'appareil en pause et choisir un nouveau cycle.
9. A la fin du programme, le voyant **END** s'allume. Quand le voyant HUBLOT VERROUILLÉ  s'éteint, on peut ouvrir le hublot. Sortir le linge et laisser le hublot entrouvert pour faire sécher le tambour. Eteindre le lave-linge en appuyant sur la touche ON/OFF.

# Programmes

FR

**Tableau des programmes**

Programmes	Description du Programme	Temp. max. (°C)	Vitesse maxi (tours minute)	Produit lessiviel et additifs				Charge maxi (Kg)	Durée cycle
				Pré-lavage	Laage	Javel	Adou-ciss.		
<b>Smart</b>									
1	<b>Coton avec pré-lavage:</b> blancs extrêmement sales.	90°	1000	•	•	-	•	7	171
2	<b>Coton blanc:</b> blancs extrêmement sales.	90°	1000	-	•	•	•	7	152
2	<b>Coton blanc (1):</b> blancs et couleurs résistantes très sales.	60°	1000	-	•	•	•	7	153
2	<b>Coton blanc (2):</b> blancs et couleurs délicates très sales.	40°	1000	-	•	•	•	7	147
3	<b>Coton:</b> blancs et couleurs résistantes très sales.	60°	1000	-	•	•	•	7	130
4	<b>Coton couleurs (3):</b> blancs peu sales et couleurs délicates.	40°	1000	-	•	•	•	7	92
5	<b>Synthétiques:</b> couleurs résistantes très sales.	60°	800	-	•	•	•	3	80
6	<b>Synthétiques délicats:</b> couleurs résistantes peu sales.	40°	800	-	•	•	•	3	74
7	<b>Jeans</b>	40°	800	-	•	-	•	3,5	80
8	<b>Chemises</b>	40°	600	-	•	•	•	2	70
9	<b>Mix-Froid 30':</b> pour rafraîchir rapidement du linge peu sale (ne convient pas pour la laine, la soie et le linge à laver à la main).	Eau froid	800	-	•	-	•	3	30
<b>Spéciaux</b>									
10	<b>Laine:</b> pour laine, cachemire, etc.	40°	600	-	•	-	•	1,5	55
11	<b>Soie:</b> pour linge en soie, viscose, lingerie.	30°	0	-	•	-	•	1	55
12	<b>Baskets</b>	30°	600	-	•	-	•	Max. 2 paires	50
13	<b>Outwear</b>	30°	400	-	•	-	-	2	46
<b>Fonctions</b>									
	Rinçage	-	1000	-	-	•	•	7	36
	Essorage	-	1000	-	-	-	-	7	16
	Vidange	-	0	-	-	-	-	7	2

Les données dans le tableau sont reprises à titre indicatif.

Pour tous les instituts qui effectuent ces tests :

- 1) Programme de contrôle selon la norme EN 60456: sélectionner le programme 2 et une température de 60°C.
- 2) Programme coton long: sélectionner le programme 2 et une température de 40°C.
- 3) Programme coton court: sélectionner le programme 4 et une température de 40°C.

## Sélection de la température

Appuyer sur la touche TEMPÉRATURE pour sélectionner la température de lavage (voir *Tableau des programmes*). La température peut être abaissée jusqu'au lavage à froid (❄).

La machine interdira automatiquement toute sélection d'une température supérieure à la température maximale prévue pour chaque programme.

## Sélection de l'essorage

Appuyer sur la touche ESSORAGE pour sélectionner la vitesse d'essorage du programme sélectionné. Les vitesses maximales prévues pour les programmes sont:

Programmes	Vitesse maximale
Coton	1000 tours/minute
Synthétiques	800 tours/minute
Laine	600 tours/minute
Soie	vidange seule

La vitesse d'essorage peut être réduite ou l'essorage supprimé en sélectionnant le symbole (⊘).

La machine interdira automatiquement tout essorage à une vitesse supérieure à la vitesse maximale prévue pour chaque programme.

## Options

Les différentes options de lavage prévues par le lave-linge permettent d'obtenir la propreté et le blanc souhaités. Pour activer les options:

1. appuyer sur la touche correspondant à la option désirée;
2. l'allumage du voyant correspondant signale que la option est activée.

Remarque: Le clignotement rapide du voyant signale que la option correspondante n'est pas disponible pour le programme sélectionné.

### SMART

L'option **SMART** permet d'optimiser le lavage selon la quantité de linge effectivement introduite dans la machine, en réduisant les temps et la consommation d'eau et d'électricité. La touche **SMART** sert aussi à sélectionner le type de lavage souhaité:

**Intensif:** lavage énergique pour linge très sale.

**Normal:** lavage standard pour linge normalement sale.

**Rapide:** lavage rapide pour linge peu sale.

! Il n'est activable que sur les programmes 1, 2, 3, 4, 5, 6 (les trois niveaux) et 7, 8, 9 (niveaux **Normal** et **Rapide**).

### Rinçage Plus

La sélection de cette option permet d'augmenter l'efficacité du rinçage et d'éliminer totalement toute trace de lessive. Elle est très utile en cas de peaux particulièrement sensibles.

! Elle n'est pas activable sur les programmes 9, ☉, ☼.

### Repassage facile

En cas de sélection de cette option, le lavage et l'essorage seront dûment modifiés pour réduire le froissement. En fin de cycle, le lave-linge fait tourner le tambour lentement, le voyant de l'option REPASSAGE FACILE et celui de START/PAUSE se mettent à clignoter (le premier est bleu, le deuxième est ambre). Pour compléter le cycle, il faut appuyer sur la touche START/PAUSE ou sur la touche REPASSAGE FACILE. Pour les programmes 11-13 l'appareil arrive au bout du cycle en laissant le linge tremper, le voyant REPASSAGE FACILE et celui de START/PAUSE se mettent à clignoter. Pour vidanger l'eau et pouvoir sortir le linge, il faut appuyer sur la touche START/PAUSE ou sur la touche REPASSAGE FACILE.

! Elle n'est pas activable sur les programmes 9, 10, 12, ☉, ☼.

### Anti-tâches

Cycle de anti-tâches conseillé pour l'élimination de taches très résistantes. N'oubliez pas de verser l'eau de Javel dans le bac supplémentaire 4 (voir "Cycle blanchissage").

! Elle n'est pas activable sur les programmes 1, 7, 9, 10, 11, 12, 13, ☉, ☼.

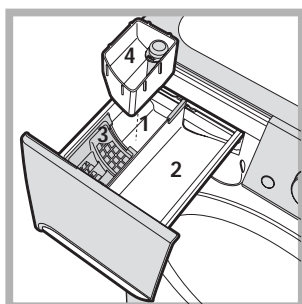
# Produits lessiviels et linge

FR

## Tiroir à produits lessiviels

Un bon résultat de lavage dépend aussi d'un bon dosage de produit lessiviel: un excès de lessive ne lave pas mieux, il incruste l'intérieur du lave-linge et pollue l'environnement.

! Ne pas utiliser de lessives pour lavage à la main, elles moussent trop.



Sortir le tiroir à produits lessiviels et verser la lessive ou l'additif comme suit.

### Bac 1 : Lessive prélavage (en poudre)

Avant d'introduire la lessive, s'assurer que le bac supplémentaire 4 n'est pas présent.

### Bac 2 : Lessive lavage

### (en poudre ou liquide)

Verser la lessive liquide juste avant la mise en marche.

### Bac 3 : Additifs (assouplissant, etc.)

L'assouplissant ne doit pas déborder de la grille.

### bac supplémentaire 4 : Javel

! N'utilisez pas de lessives pour lavage à la main, elles génèrent trop de mousse.

## Cycle blanchissage

! N'utilisez de l'eau de Javel **traditionnelle** que pour les tissus blancs résistants et des détachants **déli-cats** pour les couleurs, les synthétiques et la laine. Montez le bac supplémentaire 4 fourni avec l'appareil à l'intérieur du bac 1. Lorsque vous versez l'eau de Javel, attention à ne pas dépasser le niveau "max" indiqué sur le pivot central (*voir figure*). Pour blanchir uniquement, versez l'eau de Javel dans le bac supplémentaire 4, sélectionnez le programme «Rinçage» ㉓ et activez le option «Anti-tâches» ㉔. Pour blanchir en cours de lavage, versez le produit lessiviel et les additifs, sélectionnez le programme souhaité et activez le option «Anti-tâches» ㉔.

L'utilisation du bac supplémentaire 4 exclut le pré-lavage.

## Triage du linge

- Trier correctement le linge d'après:
  - le type de textile / le symbole sur l'étiquette.
  - les couleurs: séparer le linge coloré du blanc.
- Vider les poches et contrôler les boutons.
- Ne pas dépasser les valeurs indiquées correspondant au poids de linge sec :
  - Textiles résistants: 7 kg max.
  - Textiles synthétiques: 3 kg max.
  - Textiles délicats: 2 kg max.
  - Laine: 1,5 kg max.
  - Soie: 1 kg max.

## Combien pèse le linge ?

- 1 drap 400-500 g
- 1 taie d'oreiller 150-200 g

- 1 nappe 400-500 g
- 1 peignoir 900-1200 g
- 1 serviette éponge 150-250 g

## Linge ou vêtements particuliers

**Jeans:** mettez les jeans à l'envers avant de les laver et utilisez une lessive liquide. Sélectionnez le programme 7.

**Chemises:** sélectionner le programme approprié au lavage de chemises 8 pour laver des chemises de textile et couleur différents.

**Mix Froid 30':** il est spécialement conçu pour laver des vêtements peu sales en un rien de temps : il ne dure que 30 minutes et permet ainsi de faire des économies d'énergie et de temps. La sélection de ce programme 9 permet de laver à froid des textiles différents (sauf laine et soie) en ne dépassant pas 3 kg de charge.

**Laine:** grâce au programme 10 vous pouvez laver à la machine tous vos vêtements en laine, y compris ceux qui portent l'étiquette " lavage à la main uniquement " ㉕. Pour obtenir d'excellents résultats utilisez un produit lessiviel spécial et ne dépassez pas une charge de 1,5 kg.

**Soie:** sélectionner le programme de lavage spécial 11 pour vêtements en soie. Il est conseillé d'utiliser une lessive spéciale pour linge délicat.

**Voilages:** pliez-les bien et glissez-les dans une taie d'oreiller ou dans un sac genre filet. Sélectionner le programme 11.

**Baskets** (programme 12): est spécialement conçu pour laver des chaussures de sport; pour obtenir d'excellents résultats nous recommandons de ne pas en laver plus de 2 paires à la fois.

**Outwear** (programme 13): est spécialement conçu pour laver des tissus hydrofuges et des anoraks (par ex.: goretex, polyester, nylon); pour obtenir d'excellents résultats, utilisez une lessive liquide avec une dose pour la demi-charge; prétraitez poignets, cols et taches; n'utilisez ni assouplissants ni d'autres produits avec assouplissant. Avec ce programme vous ne pouvez pas laver les duvets.

## Système d'équilibrage de la charge

Avant tout essorage, pour éviter toute vibration excessive et répartir le linge de façon uniforme, le lave-linge fait tourner le tambour à une vitesse légèrement supérieure à la vitesse de lavage. Si au bout de plusieurs tentatives, la charge n'est toujours pas correctement équilibrée, l'appareil procède à un essorage à une vitesse inférieure à la vitesse normalement prévue. En cas de déséquilibre excessif, le lave-linge préfère procéder à la répartition du linge plutôt qu'à son essorage. Pour une meilleure répartition de la charge et un bon équilibrage, nous conseillons de mélanger de grandes et petites pièces de linge.

! Ce lave-linge a été conçu et fabriqué conformément aux normes internationales de sécurité. Ces consignes sont fournies pour des raisons de sécurité, il faut les lire attentivement.

## Sécurité générale

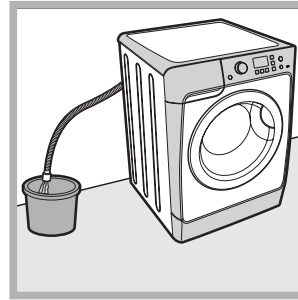
- Cet appareil est conçu pour un usage domestique.
- Ce lave-linge ne doit être utilisé que par des adultes en suivant les instructions reportées dans ce mode d'emploi.
- Ne jamais toucher l'appareil si l'on est pieds nus et si les mains sont mouillées ou humides.
- Ne jamais tirer sur le câble pour débrancher la fiche de la prise de courant.
- Ne pas ouvrir le tiroir à produits lessiviels si la machine est branchée.
- Ne pas toucher à l'eau de vidange, elle peut atteindre des températures très élevées.
- Ne pas forcer pour ouvrir le hublot: le verrouillage de sécurité qui protège contre les ouvertures accidentelles pourrait s'endommager.
- En cas de panne, éviter à tout prix d'accéder aux mécanismes internes pour tenter une réparation.
- Veiller à ce que les enfants ne s'approchent pas de l'appareil pendant son optionnement.
- Pendant le lavage, le hublot a tendance à se réchauffer.
- Deux ou trois personnes sont nécessaires pour déplacer l'appareil avec toutes les précautions nécessaires. Ne jamais le déplacer tout seul car il est très lourd.
- Avant d'introduire le linge, s'assurer que le tambour est bien vide.

## Mise au rebut

- Mise au rebut du matériel d'emballage: se conformer aux réglementations locales de manière à ce que les emballages puissent être recyclés.
- La Directive Européenne 2002/96/EC sur les Déchets des Equipements Electriques et Electroniques, exige que les appareils ménagers usagés ne soient pas jetés dans le flux normal des déchets municipaux. Les appareils usagés doivent être collectés séparément afin d'optimiser le taux de récupération et le recyclage des matériaux qui les composent et réduire l'impact sur la santé humaine et l'environnement. Le symbole de la "poubelle barrée" est apposée sur tous les produits pour rappeler les obligations de collecte séparée. Les consommateurs devront contacter les autorités locales ou leur revendeur concernant la démarche à suivre pour l'enlèvement de leur vieil appareil.

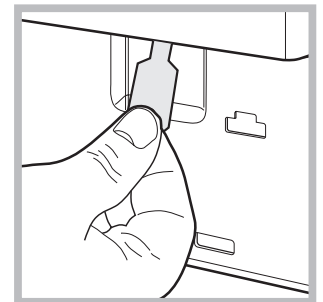
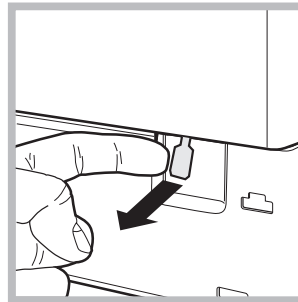
## Ouverture manuelle de la porte hublot

A défaut de pouvoir ouvrir la porte hublot à cause d'une panne de courant pour étendre le linge, procéder comme suit :



1. débrancher la fiche de la prise de courant.
2. s'assurer que le niveau de l'eau à l'intérieur de l'appareil se trouve bien au-dessous de l'ouverture du hublot, si ce n'est pas le cas vider l'eau en excès à travers le tuyau de vidange dans un seau comme illustré voir figure.

3. démonter le panneau situé à l'avant du lave-linge (voir page suivante).



4. se servir de la languette indiquée, tirer vers soi jusqu'à ce que le tirant en plastique se dégage de son cran d'arrêt; tirer ensuite vers le bas et ouvrir la porte en même temps.

5. remonter le panneau en veillant à bien enfiler les crochets dans les fentes prévues avant de le pousser contre l'appareil.

# Entretien et soin

FR

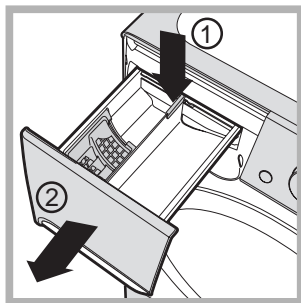
## Coupage de l'arrivée d'eau et du courant

- Fermer le robinet de l'eau après chaque lavage. Cela réduit l'usure de l'installation hydraulique du lave-linge et évite tout danger de fuites.
- Débrancher la fiche de la prise de courant lors de tout nettoyage du lave-linge et pendant tous les travaux d'entretien.

## Nettoyage du lave-linge

Pour nettoyer l'extérieur et les parties en caoutchouc, utiliser un chiffon imbibé d'eau tiède et de savon. N'utiliser ni solvants ni abrasifs.

## Nettoyage du tiroir à produits lessiviels



Pour sortir le tiroir, appuyer sur le levier (1) et tirer vers soi (2) (voir figure).

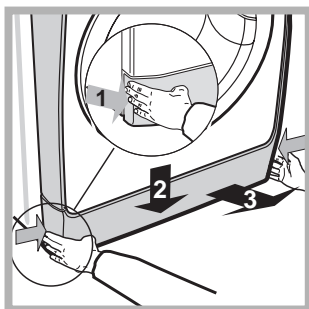
Le laver à l'eau courante ; effectuer cette opération assez souvent.

## Nettoyage de la pompe

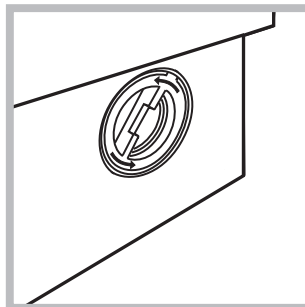
Le lave-linge est équipé d'une pompe autonettoyante qui n'exige aucune opération d'entretien. Il peut toutefois arriver que de menus objets (pièces de monnaie, boutons) tombent dans la préchambre qui protège la pompe, placée en bas de cette dernière.

! S'assurer que le cycle de lavage est bien terminé et débrancher la fiche.

Pour accéder à cette préchambre :



1. retirer le panneau situé à l'avant du lave-linge en appuyant vers le centre. Appuyer ensuite vers le bas de chaque côté et l'extraire (voir figures).



2. dévisser le couvercle en le tournant dans le sens inverse des aiguilles d'une montre (voir figure) : il est normal qu'un peu d'eau s'écoule ;

3. nettoyer soigneusement l'intérieur ;
4. revisser le couvercle ;
5. remonter le panneau en veillant à bien enfiler les crochets dans les fentes prévues avant de le pousser contre l'appareil.

## Contrôle du tuyau d'arrivée de l'eau

Contrôler le tuyau d'alimentation au moins une fois par an. Procéder à son remplacement en cas de craquèlements et de fissures : car les fortes pressions subies pendant le lavage pourraient provoquer des cassures.

! N'utiliser que des tuyaux neufs.



Il peut arriver que le lave-linge ne fonctionne pas bien. Avant d'appeler le Service de dépannage (voir "Assistance"), contrôler s'il ne s'agit pas par hasard d'un problème facile à résoudre à l'aide de la liste suivante.

## Anomalies:

## Causes / Solutions possibles:

### Le lave-linge ne s'allume pas.

- La fiche n'est pas branchée dans la prise de courant ou mal branchée.
- Il y a une panne de courant.

### Le cycle de lavage ne démarre pas.

- Le hublot n'est pas bien fermé.
- La touche ON/OFF n'a pas été enfoncée.
- La touche START/PAUSE n'a pas été enfoncée.
- Le robinet de l'eau n'est pas ouvert.
- Un départ différé a été sélectionné (voir "Personnalisations").

### Il n'y a pas d'arrivée d'eau (le voyant de la première phase de lavage clignote rapidement).

- Le tuyau d'arrivée de l'eau n'est pas raccordé au robinet.
- Le tuyau est plié.
- Le robinet de l'eau n'est pas ouvert.
- Il y a une coupure d'eau.
- La pression n'est pas suffisante.
- La touche START/PAUSE n'a pas été enfoncée.

### Le lave-linge prend l'eau et vidange continuellement.

- Le tuyau de vidange n'est pas installé à une distance du sol comprise entre 65 et 100 cm (voir "Installation").
  - L'extrémité du tuyau de vidange est plongée dans l'eau (voir "Installation").
  - L'évacuation murale n'a pas d'évent.
- Si après ces vérifications, le problème persiste, fermer le robinet de l'eau, éteindre la machine et appeler le service Assistance. Si l'appartement est situé en étage dans un immeuble, il peut y avoir des phénomènes de siphonnage qui font que le lave-linge prend et évacue l'eau continuellement. Pour supprimer cet inconvénient, on trouve dans le commerce des soupapes spéciales anti-siphonnage.

### Le lave-linge ne vidange pas et n'essore pas.

- Le programme ne prévoit pas de vidange: pour certains programmes, il faut la faire partir manuellement.
- L'Option REPASSAGE FACILE est activée : pour compléter le programme, appuyer sur la touche START/PAUSE ("Personnalisations").
- Le tuyau de vidange est plié (voir "Installation").
- La conduite d'évacuation est bouchée.

### Le lave-linge vibre beaucoup pendant l'essorage.

- Le tambour n'a pas été débloqué comme il faut lors de l'installation du lave-linge (voir "Installation").
- Le lave-linge n'est pas posé à plat (voir "Installation").
- Le lave-linge est coincé entre des meubles et le mur (voir "Installation").

### Le lave-linge a des fuites.

- Le tuyau d'arrivée de l'eau n'est pas bien vissé (voir "Installation").
- Le tiroir à produits lessiviels est bouché (pour le nettoyer voir "Entretien et soin").
- Le tuyau de vidange n'est pas bien fixé (voir "Installation").

### Les voyants des "Options" et le voyant START/PAUSE clignotent. Le voyant du phase de lavage et le voyant hublot bloqué restent fixes.

- Eteindre l'appareil et débrancher la fiche de la prise de courant, attendre 1 minute environ avant de rallumer.  
Si l'anomalie persiste, appeler le service d'assistance.

### Il y a un excès de mousse.

- Le produit de lavage utilisé n'est pas une lessive spéciale machine (il faut qu'il y ait l'inscription "pour lave-linge", "main et machine", ou autre semblable).
- La quantité utilisée est excessive.

# Assistance

---

FR

## **Avant d'appeler le service après-vente:**

- Vérifier si on ne peut pas résoudre l'anomalie par ses propres moyens (voir "*Anomalies et Remèdes*");
- Remettre le programme en marche pour contrôler si l'inconvénient a disparu;
- Autrement, contacter le Centre d'Assistance technique agréé au numéro de téléphone indiqué sur le certificat de garantie.

! Ne jamais s'adresser à des techniciens non agréés.

## **Communiquer:**

- le type de panne;
- le modèle de l'appareil (Mod.);
- son numéro de série (S/N).

Ces informations se trouvent sur la plaque signalétique apposée à l'arrière du lave-linge et à l'avant quand on ouvre la porte hublot.

### المحتويات

#### التركيب، 26-27

إفراغ المحتويات وتحديد المستوى  
وصل إمدادات الكهرباء والماء  
دورة الغسيل الأولى  
البيانات التقنية

#### وصف ماكينة الغسيل وتشغيل دورة الغسيل، 28-29

لوحة التحكم  
المؤشرات  
تشغيل دورة الغسيل

#### دورات الغسل، 30

جدول البرامج ودورات الغسيل

#### التخصيص، 31

ضبط درجة الحرارة  
ضبط سرعة الدوران  
الخيارات

#### مواد التنظيف والغسيل، 32

درج وعاء مواد التنظيف  
دورة التبييض  
تحضير الغسيل  
ملابس تتطلب عناية خاصة  
نظام موازنة الحمل

#### وسائل حذر ونصائح، 33

الوقاية العامة  
التخلص  
فتح باب الفتحة يدويا

#### العناية والصيانة، 34

قطع إمداد الماء والكهرباء  
تنظيف ماكينة الغسيل  
تنظيف درج وعاء مواد التنظيف  
تنظيف المضخة  
فحص خرطوم إدخال الماء

#### استكشاف المشاكل وحلها، 35

#### خدمة المساعدة التقنية، 36

تحديد مستوى الماكينة بشكل صحيح سيمنحها الثبات، سيساعد على تحاشي الارتجاجات والضجيج الزائد وسيمنعها من الانحراف أثناء العمل. إذا تم وضعها في خزانة أو على بساط، قم بمعايرة الأرجل بنفس الطريقة لتوفير مساحة تهوية كافية تحت ماكينة الغسيل.

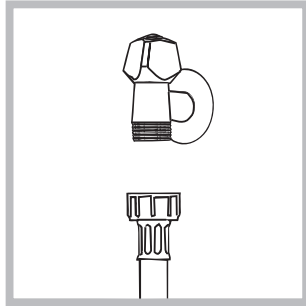
! يجب الاحتفاظ بدليل التعليمات هذا في مكان آمن لمراجعته في المستقبل. إذا تم بيع الجهاز، إرساله أو نقله، تأكد من أن دليل التعليمات قد أرفق بالماكينة بحيث يتمكن مالكوها الجدد من التعرف على عملها وخصائصها.

! اقرأ هذه التعليمات بعناية: إنها تحتوي على معلومات هامة فيما يتعلق بالتركيب الآمن وتشغيل الجهاز.

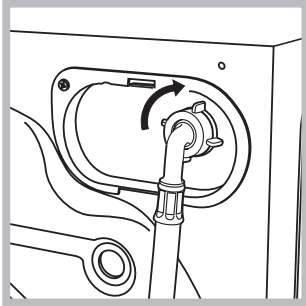
## وصل إمدادات الكهرباء والماء

### وصل خرطوم إدخال الماء

1. قم بوصل خرطوم الإدخال بواسطة تثبيته لولبياً في حنفية الماء البارد باستخدام توصيل غاز 3/4 ممدد (انظر الرسم).  
قبل إنجاز التوصيل، أتج للماء أن يتدفق بحرية حتى يصبح نظيفاً تماماً.



2. قم بتوصيل فتحة المدخل بماكينة الغسيل، عن طريق تثبيتها لولبياً داخل مدخل الماء الملائم في الجهاز، الموجود في الجهة اليمنى العليا في الجزء الخلفي من الجهاز (انظر الرسم).



3. تأكد من أن الفوهة غير مثنوية أو معوجة.

! على ضغط الماء في الحنفية أن يكون في نطاق القيم المشار إليها في جدول البيانات التقنية (انظر الصفحة التالية).

! إذا لم يكن خرطوم الإدخال طويلاً بما فيه الكفاية، اتصل بمتجر متخصص أو بفني معتمد.

! لا تستخدم الخراطيم المستعملة أبداً.

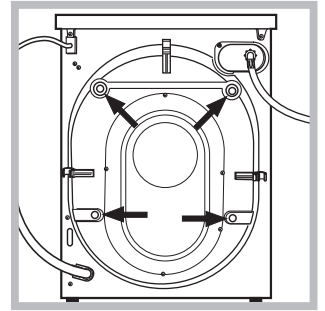
! استخدم تلك المرفقة بالماكينة.

## إفراغ المحتويات وتحديد المستوى

### إفراغ المحتويات

1. أخرج ماكينة الغسيل من رزمتها.
2. تأكد من أنه لم يلحق ضرر بماكينة الغسيل خلال عملية الشحن. إذا لحق بها ضرر، اتصل بالموزع ولا تنفذ أية عملية تركيب إضافية.

3. أزل البراغي الأربعة الواقية (المستخدمة خلال الشحن) ومطاط الماكينة مع حافظ المسافة الملائم الموجود في الجهة الخلفية من الجهاز (انظر الرسم).



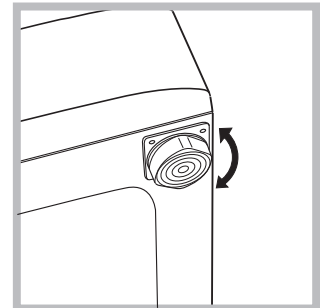
4. أغلق الفتحات باستخدام الأغشية البلاستيكية المزودة.
5. أبق كل الأجزاء في مكان آمن: سوف تحتاجها مرة أخرى في حال تم نقل ماكينة الغسيل إلى موقع آخر.

! يجب عدم استخدام مواد التعبئة كالعاب للأولاد.

### تحديد المستوى

1. قم بتركيب ماكينة الغسيل على أرضية مستوية ومثنية، من دون وضعها مقابل الجدران، الخزائن، الأثاث أو أي أمر آخر.

2. إذا لم تكن الأرضية مستوية تماماً، قم بتعويض أي تفاوت بواسطة شد أو فك أرجل المعايرة الأمامية (انظر الرسم)؛ على قياس زاوية الانحناء مقارنة بمسطح العمل، ألا يتعدى 2°.



! لا تستخدم كبلات الإطالة أو المقابس المتعددة.

! على الكبل ألا يكون معوجا أو مضغوطا.

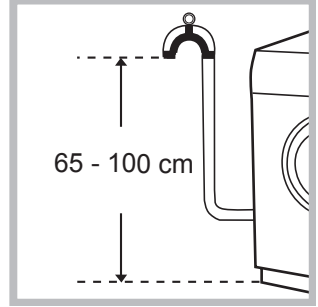
! يجب فحص الكبل بانتظام وتبديله من قبل فني مؤهل فقط.

تحذير! لن تتحمل الشركة أية مسؤولية في حال لم يتم احترام هذه التعليمات.

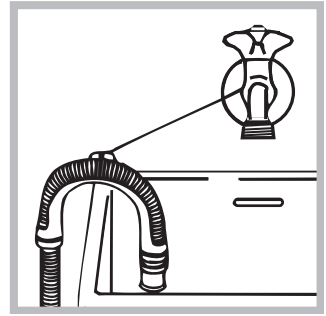
### دورة الغسيل الأولى

بعد الانتهاء من تركيب الجهاز، وقبل استخدامه للمرة الأولى، قم بتشغيل دورة غسيل مستخدما مواد التنظيف من دون غسيل، باستخدام دورة الغسيل 3.

وصل خرطوم تصريف الماء، من دون ثنيه، بأنبوب تصريف أو بتصريف جداري على ارتفاع يتراوح بين 65 وحتى 100 سم عن الأرض؛



أو قم بتهيئته على طرف الحوض، البالوعة أو المغسلة، مع تثبيت الأنبوب المزود بالحنفية. على الطرف الحر من الخرطوم ألا يكون تحت الماء.



! نحن لا ننصح باستخدام إطالات الخرطوم؛ إذا كان ذلك ضروريا جدا، فعلى الإطالات أن تكون بنفس قطر الخرطوم الأصلي على ألا يتعدى طوله 150 سم.

### التوصيلات الكهربائية

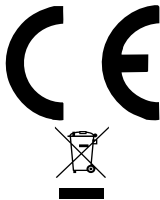
قبل توصيل الجهاز بتزويد الطاقة، تأكد من أن:

- المقبس مؤرّض ويدعن لكل القوانين الواجب تطبيقها؛
- المقبس قادر على تحمل عبء الطاقة القصوى، كما هو مبين في جدول البيانات التقنية (انظر الجهة المقابلة)؛
- فولطية تزويد الطاقة تتراوح بين القيم المشار إليها في جدول البيانات التقنية (انظر الجهة المقابلة)؛
- أن المقبس متوافق مع قابس ماكينة الغسيل. إذا لم يكن الأمر كذلك، قم بتبديل المقبس أو القابس.

! يجب عدم تركيب ماكينة الغسيل خارج المنزل، حتى وإن كان ذلك في مناطق مغطاة. من الخطر جدا إبقاء الجهاز عرضة للشتاء، العواصف وأحوال الطقس الأخرى.

! على مقبس شبكة الكهرباء الرئيسية أن يبقى سهل الوصول بعد تركيب ماكينة الغسيل.

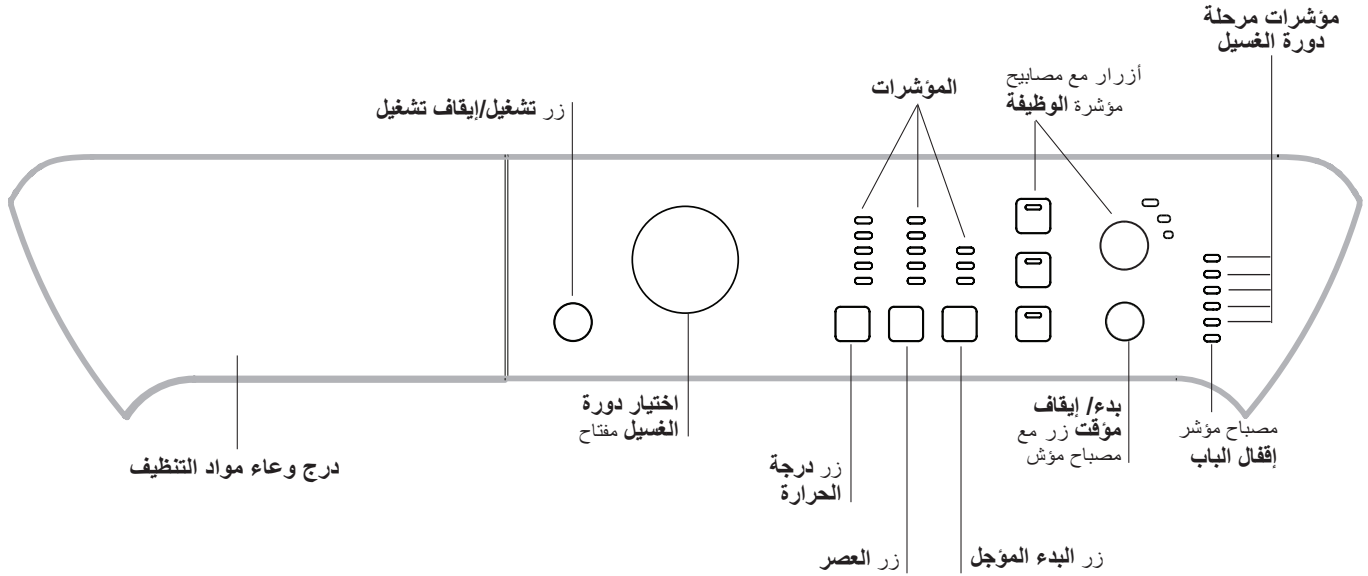
البيانات التقنية	
الطراز	PWC 7105 W
الأبعاد	العرض 59.5 سم الارتفاع 85 سم العمق 55 سم
السعة	ما بين 1 وحتى 7 كغم
التوصيلات الكهربائية	الرجاء راجع لوحة البيانات التقنية المصقفة على الماكينة
توصيلات الماء	الضغط الأقصى 1 MPa (10 بار) الضغط الأدنى 0.05 MPa (0.5 بار) سعة البرميل 52 لتر
سرعة العصر	حتى 1000 دورة في الدقيقة
قم بفحص دورات الغسيل بالإذعان للتنظيم EN 60456	دورة غسيل 2؛ درجة الحرارة 60°C؛ يتم إنجازها مع 7 كغم من الحمل.
	يذعن هذا الجهاز لإرشادات السوق الأوروبية المشتركة التالية: - 89/336/EEC من تاريخ 03.05.89 (تطابق المغناطيسية الكهربائية) والتعديلات اللاحقة - 2002/96/EC - 2006/95/EC (فولطية منخفضة)



# وصف ماكينة الغسيل وتشغيل دورة الغسيل

لوحة التحكم

AR



**ملاحظة:** بعد الضغط على زر بدء/إيقاف مؤقت، يمكن تعديل الوقت المؤجل فقط بواسطة تقليله حتى يتم تشغيل دورة الغسيل المختارة. ! هذه الإمكانية يمكن تشغيلها مع جميع دورات الغسيل.

**مؤشرات مرحلة دورة الغسيل:** يتم استخدامها لرصد برنامج دورة الغسيل. يظهر المصباح المؤشر للمرحلة الجارية. إذا تم ضبط خيار "عداد الوقت المؤجل"، فسيتم الإشارة إلى الوقت المتبقي حتى بدء دورة الغسيل (انظر الصفحة التالية).

مصباح مؤشر إقفال الباب: يشير إما إلى إن الباب مفتوح أم لا (انظر الصفحة التالية).

زر ومصباح مؤشر بدء/إيقاف مؤقت: يبدأ أو يعترض مؤقتاً دورات الغسيل. **ملاحظة:** لإيقاف دورة الغسيل الجارية بشكل مؤقت، اضغط هذا الزر؛ سيومض المصباح المؤشر الملائم باللون الكهرماني، بينما يبقى المصباح المؤشر لمرحلة دورة الغسيل الحالية مضاء بشكل ثابت. إذا انطفأ المصباح المؤشر لإغلاق الباب سيصبح بالإمكان فتح الباب. لبدء دورة الغسيل من النقطة التي تم اعتراضها، اضغط هذا الزر مجدداً.

**درج وعاء مواد التنظيف:** يتم استخدامه لتوزيع مواد التنظيف ومضافات الغسيل (انظر "مواد التنظيف والغسيل").

**زر تشغيل/إيقاف تشغيل:** لتشغيل ماكينة الغسيل وإيقاف تشغيلها.

**مفتاح اختيار دورة الغسيل:** يبرمج دورات الغسيل. خلال دورة الغسيل، لا يتحرك المفتاح.

**أزرار الخيارات والمؤشرات:** اضغطها لاختيار الخيارات المتوفرة. المصباح المؤشر الملائم للخيار المختار سيبقى مضاء.

**زر العصر:** يضبط دورة العصر أو يستنتي دورة العصر كلياً (انظر "التخصيصات").

**مفتاح درجة الحرارة:** لضبط درجة الحرارة أو دورة الغسيل البارد (انظر "التخصيصات").

**زر البدء المؤجل:**

يؤجل العداد بداية دورة الغسيل حتى 9 ساعات.

اضغط الزر بشكل متكرر حتى يضيئ المصباح المؤشر الملائم للوقت المؤجل المرغوب. في المرة الخامسة التي يُضغط فيها على الزر، سيتم إيقاف تشغيل الخيار.





## جدول دورات الغسيل

مدة الدورة	حمل أقصى (كغم)	مواد التنظيف			سرعة قصوى (دورة في الدقيقة)	درجة الحرارة القصوى (منوي)	وصف دورة الغسيل	رمز البرنامج	
		المادة المطرية	التبييض	الغسيل الرئيسي					ما قبل الغسيل
<b>الدورات الذكية</b>									
171	7	•	-	•	•	1000	90°	قطنيات مع مرحلة ما قبل الغسيل الغسيل الأبيض المتسخ جدا.	1
152	7	•	•	•	-	1000	90°	القطنيات: الغسيل الأبيض المتسخ جدا.	2
153	7	•	•	•	-	1000	60°	القطنيات (1): الملابس البيضاء المتسخة جدا والألوان الثابتة.	2
147	7	•	•	•	-	1000	40°	القطنيات (2): الملابس البيضاء وذات الألوان الناعمة المتسخة جدا.	2
130	7	•	•	•	-	1000	60°	قطنيات بيضاء الملابس البيضاء المتسخة جدا والألوان الثابتة.	3
92	7	•	•	•	-	1000	40°	القطنيات الملونة (3): الملابس البيضاء وذات الألوان الناعمة المتسخة قليلا.	4
80	3	•	•	•	-	800	60°	الأقمشة الاصطناعية: الملابس ذات الألوان الثابتة المتسخة جدا.	5
74	3	•	•	•	-	800	40°	الأقمشة الاصطناعية: الملابس ذات الألوان الثابتة المتسخة قليلا.	6
80	3,5	•	-	•	-	800	40°	<b>بنطالات جينز</b>	7
70	2	•	•	•	-	600	40°	قمصان	8
30	3	•	-	•	-	800	ماء بارد	30 Cool-Mix: لإنعاش الغسيل الملابس المتسخة قليلا بسرعة (غير ملائم للصوف، الحرير والملابس التي تتطلب الغسيل باليد).	9
<b>دورات خاصة</b>									
55	1,5	•	-	•	-	600	40°	الصوف: للصوف، الكاشمير، وما شابه ذلك.	10
55	1	•	-	•	-	0	30°	الحرير للأقمشة الحريرية والبيسكوزا، ملابس النساء الداخلية.	11
50	الحد الأقصى زوجان	•	-	•	-	600	30°	<b>أحذية رياضية</b>	12
46	2	-	-	•	-	400	30°	<b>الملابس الخارجية*</b>	13
<b>دورات الغسيل الجزئية</b>									
36	7	•	•	-	-	1000	-	شطف	☹
16	7	-	-	-	-	1000	-	عصر	☉
2	7	-	-	-	-	0	-	التصريف	☹☹

المعلومات التي يحويها الجدول للدلالة فقط.

لكافة معاهد الاختبارات:

(1) قم بفحص دورة الغسيل بالاذعان للتنظيم EN 60456: اضبط دورة الغسيل 2 مع درجة حرارة 60°C.

(2) دورة غسيل طويلة للقطنيات: اضبط دورة الغسيل 2 مع درجة حرارة 40°C.

(3) دورة غسيل قصيرة للقطنيات: اضبط دورة الغسيل 4 (القطنيات) مع درجة حرارة 40°C.

### ضبط درجة الحرارة

اضغط مفتاح درجة الحرارة لضبط درجة حرارة الغسيل (انظر جدول البرامج ودورات الغسيل).  
يمكن خفض درجة الحرارة أو حتى إعدادها للغسيل البارد ❄️.  
ستمنعك ماكينة الغسيل أوتوماتيكيا من اختيار درجة حرارة أعلى من القيمة القصوى المحددة لكل دورة غسيل.

### ضبط سرعة الدوران

اضغط مفتاح سرعة الدوران لضبط سرعة العصر لدورة الغسيل المختارة.  
سرعات الدوران القصوى لكل من دورات الغسيل هي كالتالي:

دورات الغسيل	سرعة الدوران القصوى
القطنيات	1000 دورة في الدقيقة
الأقمشة الاصطناعية	800 دورة في الدقيقة
الصوف	600 دورة في الدقيقة
الحرير	التصريف فقط

يمكن خفض سرعة العصر أو استثناء دورة العصر كلياً بواسطة اختيار الرمز Ⓜ️.  
ستمنعك ماكينة الغسيل أوتوماتيكيا من اختيار سرعة عصر أعلى من السرعة القصوى المحددة لكل دورة غسيل.

### الخيارات

خيارات الغسيل المتنوعة المتوفرة في ماكينة الغسيل هذه ستساعدك في الحصول على النتائج المرادة، في كل مرة.  
لتشغيل الخيارات:

1. اضغط الزر الملانم الخيار المرغوب؛
  2. سيبدأ عمل الخيار عندما يضيء المصباح المؤشر الملانم.
- ملاحظة: إذا ومض المصباح المؤشر بسرعة، فهذا يشير إلى أن هذه الخيار المعين لا يمكن اختياره بالتزامن مع دورة الغسيل المختارة.

### SMART

يخصص الخيار SMART الغسل ليلانم كمية الغسيل التي تم تحميلها في ماكينة الغسيل، وبذلك خفض مدة دورة الغسيل العامة وتقليل استهلاك الماء والطاقة إلى الحد الأدنى. اضغط الزر SMART لاختيار نوع دورة الغسيل المرغوب بها:

لك: دورة غسيل اعتيادية للملابس بمستوى اتساخ عادي.

مكثف: دورة غسيل قوية للملابس بمستوى اتساخ مرتفع.

غسيل سريع: دورة غسيل سريعة للملابس بمستوى اتساخ خفيف.

! يجب عدم استخدام هذه الوظيفة بالتزامن مع دورات الغسيل 1, 2, 3, 4, 5, 6 (بالمستويات الثلاثة) و 7, 8, 9 (ومستويات لك والغسيل السريع).

### شطف إضافي

بواسطة اختيار هذا الخيار، تزداد فعالية الشطف وتضمن الإزالة الأمثل لمواد التنظيف. إنها مفيدة جداً للجلد الحساس.

! لا يمكن استخدامه بالتزامن مع دورات الغسيل 9, Ⓜ️, ❄️.

### الكي السهل (Easy Iron)

يتم تعديل دورة الغسيل والعصر بهدف خفض تكون التجعدات. عند انتهاء الدورة ستقوم ماكينة الغسيل بإنجاز دورات بطبئة للبرميل؛ ستومض المصابيح المؤشرة للكي السهل والبدء/الإيقاف المؤقت (باللون الأزرق والبرتقالي على التوالي) والمصباح المؤشر "END" سيبقي مضاء بشكل ثابت. لإنهاء الدورة، اضغط زر بدء/إيقاف مؤقت أو زر الكي السهل. لدورة الغسيل رقم 13-11 تنتهي الماكينة الدورة بينما يتم نقع الغسيل؛ سيومض مؤشر "الكي السهل" ومؤشر بدء/إيقاف مؤقت.

لتصريف الماء حتى يتم إخراج الغسيل، اضغط زر بدء/إيقاف مؤقت أو زر الكي السهل.

! لا يمكن استخدامه بالتزامن مع دورات الغسيل 9, 10, 12, Ⓜ️, ❄️.

### إزالة البقع

دورة التبييض مصممة لإزالة أصعب البقع. الرجاء تذكر أن تسكب المبيض إلى الدرج الإضافي 4 (انظر "دورة التبييض").

! لا يمكن استخدامه بالتزامن مع دورات الغسيل 1, 7, 9, 10, 11, 12, 13, Ⓜ️, ❄️.

## درج وعاء مواد التنظيف

تعتمد نتائج الغسيل الجيدة أيضا على كمية مواد التنظيف: إن إضافة مواد تنظيف أكثر مما يجب لا يزيد فاعلية الغسيل بالضرورة، يمكن أن يؤدي إلى انسداد في الأجزاء الداخلية من الجهاز لديك وحتى يمكن أن يلوث البيئة.

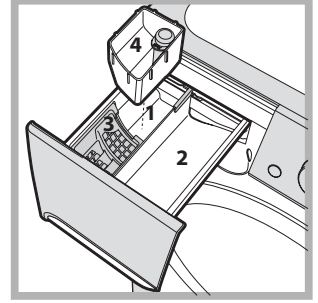
! لا تستخدم المواد المعدة للغسيل باليد لأنها يمكن أن تطلق رغوة فائضة.

افتح درج وعاء مواد التنظيف واسكب مواد التنظيف أو مضافات الغسيل، كما يلي.

الحجرة 1: مواد التنظيف المعدة لما قبل الغسيل (مسحوق)

قبل سكب مادة التنظيف، تأكد من أنه تم إزالة الحجرة الإضافية 4.

الحجرة 2: مواد التنظيف المعدة لدورة الغسيل (مسحوق أو سائل)



يجب سكب المواد السائلة فقط قبل بدء دورة الغسيل مباشرة.

الحجرة 3: الملحقات (المواد المطرية للغسيل وما شابه).

يجب على المطري ألا يزيد عن ارتفاع الشبكة.

الحجرة 4: التبييض

## دورة التبييض

! على المبيض التقليدي أن يستخدم على الأقمشة البيضاء الثابتة فقط والمبيض الناعم للأقمشة الملونة، الاصطناعية والصوف.

يستخدم هذا الخيار بشكل خاص لإزالة البقع العسيرة. ضع الحجرة الإضافية 4 (مزودة) داخل الحجرة 1. عند سكب المبيض، احذر أن لا تتجاوز مستوى "الحد الأقصى" المشار إليه في المحور المركزي (أنظر الرسم). لتشغيل دورة التبييض بشكل منفرد، اسكب المبيض في الحجرة الإضافية 4، قم بضبط برنامج "النقع" وتنشيط خيار "إزالة البقع". للتبييض خلال دورة الغسيل، اسكب مواد التنظيف وأي مطري للأقمشة تود استخدامه، اختر دورة الغسيل المرغوب بها وقم بتشغيل خيار "إزالة البقع". استخدام الحجرة الإضافية 4 يغني عن إمكانية استخدام خيار "ما قبل الغسيل".

## تحضير الغسيل

• قسّم الغسيل حسب ما يلي:

- نوع القماش/ الرمز على اللاصقة

- الألوان: أفضل بين الملابس الملونة والبيضاء.

• قم بإفراغ جيوب كافة الملابس وافحص الأزرار.

• لا تتعدى القيم المدرجة في القائمة، التي تعود لوزن الغسيل عندما يكون جافا:

الأقمشة الثابتة: حد أقصى 7 كغم

الأقمشة الاصطناعية: حد أقصى 3 كغم

الأقمشة الناعمة: حد أقصى 2 كغم

الصوف: حد أقصى 1,5

كغم حرير: حد أقصى 1 كغم

## كم يزن الغسيل لديك؟

شرشف واحد 400-500 غم

غطاء وسادة واحد 150-200 غم

مفرش طاولة واحد 400-500 غم

برنس حمام واحد 900-1200 غم

منشفة واحدة 150-250 غم

## ملابس تتطلب عناية خاصة

الجبينز: قم بقلب الأقمشة قبل غسلها واستخدم مواد تنظيف سائلة. استخدم دورة الغسيل 7.

القمصان: استخدم دورة الغسيل الخاصة 8 لغسل القمصان متنوعة الأقمشة والألوان.

يضمن هذا عناية قصوى بالملابس ويقال تكون التجعدات.

Mix-Cool 30: تم تصميم دورة الغسيل هذه لغسل ملابس متسخة قليلا

بسرعة: تستغرق 30 دقيقة فقط ولذا توفر الطاقة والوقت. عند اختيار دورة الغسيل (9) يمكن غسل أنواع مختلفة من الأقمشة معا (فيما عدا العناصر الصوفية والحريرية)، باستخدام دورة باردة حتى يحمل أقصاه 3 كغم.

الصوف: يمكن غسل جميع الأقمشة الصوفية باستخدام دورة الغسيل 10 في الماكينة، حتى وإن كانت تحمل لاصقة "لغسل باليد فقط". للحصول على أفضل النتائج، استخدم مواد تنظيف خاصة ولا تتعدى 1.5 كغم من الحمل.

الحرير: استخدم دورة الغسيل الخاصة 11 لغسل كافة ملابس الحرير. نوصي باستخدام مادة التنظيف الخاصة المصممة لغسل الملابس الناعمة.

الستائر: نحن ننصحك بطي الستائر ووضعها داخل غطاء وسادة أو كيس شبكي. استخدم دورة الغسيل 11.

الأحذية الرياضية (دورة الغسيل 12): لغسيل الأحذية الرياضية؛ للحصول على أفضل النتائج، لا تغسل أكثر من زوجين من الأحذية في نفس الوقت.

دورة (غسيل اللابس الخارجية 13): ملائم لغسيل الأقمشة المقاومة للماء

والمعاطف الشتوية (مثلا غور-تكس، بولياستر، نايلون)؛ للحصول على

أفضل النتائج، استخدم مواد التنظيف السائلة والكمية الملائمة لنصف الحمل؛ القبات، الأكمام المتسخة إذا اقتضت الضرور؛ لا تستخدم المطريات أو مواد

التنظيف التي تحتوي على المطريات. لا يمكن غسل البطانيات المحشوة

بواسطة هذا البرنامج.

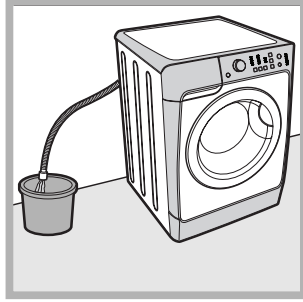
## نظام موازنة الحمل

لتحاشي الارتجاج الزائد قبل كل دورة عصر وتوزيع الحمل بشكل موحد، يدور البرميل باستمرار بسرعة تزيد بعض الشيء عن سرعة دوران عملية الغسيل. في حال لم يتوازن الحمل بالشكل الصحيح بعد عدة محاولات، تقوم الماكينة بالعصر بسرعة مخفضة. إذا لم يكن الحمل موازنا بشكل كبير، تنجز الماكينة عملية التوزيع بدل العصر. لتشجيع توزيع محسن للحمل وموازنته، نوصي بدمج الملابس الكبيرة والصغيرة في الحمل.

### فتح باب الفتحة يدويا

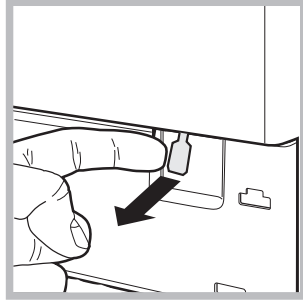
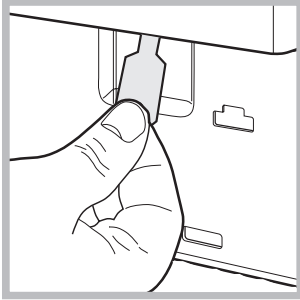
في حال ليس بالإمكان فتح باب الفتحة جراء انقطاع التيار الكهربائي، وإذا رغبت في إزالة الغسيل، تصرف على النحو التالي:

1. اسحب القابس من المقبس الكهربائي.
2. تأكد من أن مستوى الماء داخل الماكينة أقل انخفاضاً من فتحة الباب؛ في حال لم يكن الأمر كذلك، قم بإزالة الماء المفرط باستخدام خرطوم التصريف، جامعاً الماء في دلو كالمشار في الرسم.



3. باستخدام مفك براغي، أزل غطاء اللوحة من الجهة الأمامية السفلى في ماكينة الغسيل (انظر ظهر الصفحة)؛

4. اسحب نحو الخارج مستخدماً العلامة المشار إليها في الرسم، حتى يتم تحرير قضيب الربط من وضع إيقافه؛ قم بالسحب نحو الأسفل وافتح الباب في آن واحد.



5. أعد تركيب اللوحة، وتأكد من أن العفقات مثبتة بأمان في مكانها قبل أن تدفعها باتجاه الجهاز.

! تم تصميم ماكينة الغسيل وتصنيعه طبقاً لمواصفات الأمان العالمية. يتم تزويد التحذيرات التالية لأسباب وقائية ويجب قراءتها بعناية.

### الوقاية العامة

- تم تصميم هذا الجهاز للاستخدام المنزلي فقط.
- يجب استخدام ماكينة الغسيل من قبل البالغين فقط، بموجب التعليمات المزودة في هذا الدليل.
- لا تلامس الماكينة وأنت حافي القدمين أو بيدين ورجلين مبللتين أو رطبتين!
- لا تقم بسحب كبل تزويد الطاقة عند فصل الجهاز عن مقبس شبكة الطاقة الكهربائية. امسك القابس واسحبه.
- لا تفتح درج وعاء مواد التنظيف بينما تكون الماكينة قيد التشغيل.
- لا تلامس ماء الصرف، حيث يمكن أن يكون بدرجة حرارة عالية جداً.
- لا تدفع باب الفتحة بشدة: يمكن لذلك أن يتلف ميكانيكية قفل الأمان المصمم لمنع فتحه عن غير قصد.
- إذا تعطل الجهاز، لا تحاول بأي حال من الأحوال، الوصول إلى الأجهزة الداخلية في محاولة لتصليحها بنفسك.
- أبق الأطفال بعيدين عن الجهاز دائماً أثناء عمله.
- يمكن للباب أن يصبح ساخناً بعض الشيء خلال دورة الغسيل.
- إذا كانت هناك حاجة لنقل الجهاز، نفذ العمل بمجموعة من شخصين أو ثلاثة أشخاص وتعاملوا معه بمنتهى الحذر. لا تحاول أبداً القيام بذلك لوحدهم، لأن الجهاز ثقيل جداً.
- قبل إدخال الغسيل إلى ماكينة العسيل، تأكد من أن البرميل فارغ.

### التخلص

- التخلص من مواد التعبئة: تتقيد بالقوانين المحلية حيث يمكن لمواد التعبئة أن يعاد تصنيعها.
- تنص التوجيهات الأوروبية 2002/96/EC المتعلقة بالأجهزة الكهربائية والإلكترونية التالفة (WEEE) على أنه يجب عدم التخلص من الأجهزة البيئية عن طريق دورة النفايات البلدية الصلبة. يتوجب جمع الأجهزة التالفة على انفراد بهدف تقليل كلفة إعادة استخدام المعادن الموجودة داخل الجهاز وتصنيعها، بينما يتم تحاشي الأضرار الممكنة للغلاف الجوي والصحة العامة. صندوق القمامة المشار إليه بعلامة 'إكس' على كافة المنتجات هو لتذكير المالك بوجوب الجمع المنفرد للقمامة.
- لمزيد من المعلومات المتعلقة بالتخلص الصحيح من الأجهزة البيئية التالفة، يمكن للمالكين الاتصال بالخدمات العامة المزودة أو بتاجرهم المحلي.

## قطع إمداد الماء والكهرباء

- قم بإيقاف حنفية الماء بعد كل دورة غسيل. سيحد هذا من تآكل النظام الهيدروليكي داخل ماكينة الغسيل ويساعد على منع التسربات.
- افصل الماكينة عن الكهرباء عند تنظيفها أو أثناء أي عمل صيانة.

## تنظيف المضخة

ماكينة الغسيل مزودة بمضخة للتنظيف الذاتي، حيث لا تحتاج إلى أية عناية في أي وقت. في بعض الأحيان، يمكن للقطع الصغيرة (مثل القطع النقدية أو الأزرار) أن تسقط داخل الحجرة الأولية التي تحمي المضخة، والموجودة في جزئها الأسفل.

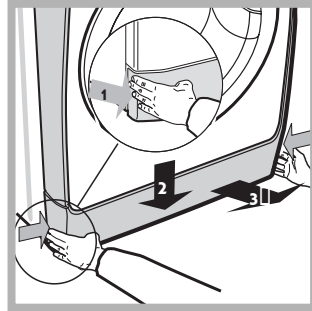
! تأكد من انتهاء دورة الغسيل وافصل الجهاز عن الكهرباء.

## تنظيف ماكينة الغسيل

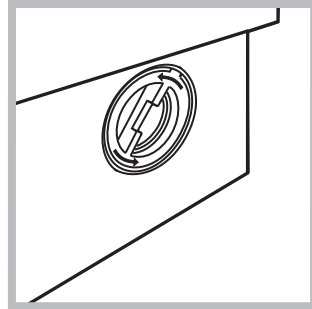
يمكن تنظيف الأجزاء الخارجية والقطع المطاطية في الماكينة باستخدام خرقة نظيفة مبللة بالماء الفاتر والصابون. لا تستخدم المواد المذيبة أو الكاشطة.

للوصول إلى الحجرة الأولية:

1. ازل غطاء اللوحة في الجهة الأمامية من الماكينة حيث عليك الضغط أولاً على المركز ثم سحبها إلى الأمام من كلتا الجهتين حتى تخرجها (أنظر الرسومات)؛



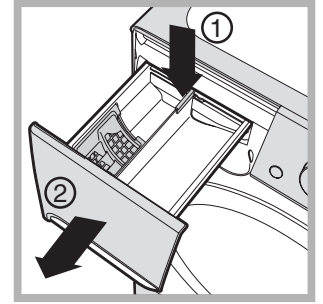
2. فك الغطاء بواسطة إدارته بعكس عقارب الساعة (أنظر الرسم): يمكن للقليل من الماء أن يخرج إلى الخارج. هذا أمر طبيعي؛



3. نظف الجزء الداخلي تماماً؛
4. أعد تركيب الغطاء في مكانه؛
5. أعد تركيب اللوحة، وتأكد من أن العقفات مثبتة بأمان في مكانها قبل أن تدفعها باتجاه الجهاز.

## تنظيف درج وعاء مواد التنظيف

- 1 لإزالة الدرج، اضغط الرافعة (1) واسحبه إلى الخارج (2) (انظر الرسم).
- قم بغسله تحت الماء المتدفق؛ يجب تكرار هذه العملية.



## فحص خرطوم إدخال الماء

افحص فوهة الخرطوم مرة في السنة على الأقل. إذا كانت هناك أية شقوق، يجب تبديلها فوراً. خلال دورات الغسيل، يكون ضغط الماء قويا جداً ويمكن للفوهة المتشققة أن تتشقق لتتفتح بسهولة.

! لا تستخدم الخراطيم المستعملة أبداً.

في العمل فجأة. قبل الاتصال بخدمة المساعدة التقنية (أنظر "خدمة المساعدة التقنية") تأكد من أن المشكلة لا يمكن حلها بسهولة باستخدام الجدول التالي.

AR

## المشكلة:

## الأسباب المحتملة/الحلول:

لا يمكن تشغيل ماكينة الغسيل.

- الجهاز غير موصل بالمقيس الكهربائي بشكل كامل، أو أنه غير موصل بشكل كاف ليحدث تماس.
- يوجد انقطاع كهرباء في البيت.

دورة الغسيل لا تبدأ بالعمل.

- باب ماكينة الغسيل غير مقفل بشكل صحيح.
- لم يتم الضغط على زر تشغيل/إيقاف تشغيل.
- لم يتم الضغط على زر بدء التشغيل/إيقاف مؤقت.
- لم يتم فتح حنفية الماء.
- تم ضبط مهلة لوقت البدء.

ماكينة الغسيل لا تمتلئ بالماء (الضوء المؤشر لمرحلة الغسيل الأولى يومض بسرعة).

- خرطوم دخول الماء غير متصل بالحنفية.
- الخرطوم ملتوي.
- لم يتم فتح حنفية الماء.
- يوجد انقطاع في تزويد الماء في البيت.
- الضغط منخفض أكثر مما يجب.
- لم يتم الضغط على زر بدء التشغيل/إيقاف مؤقت.

ماكينة الغسيل تمتلئ بالماء وتفرغ منه بشكل متكرر.

- خرطوم التصريف غير مركب على ارتفاع يتراوح بين 65 و100 سم عن الأرض (أنظر "التركيب").
- الطرف الحر من الخرطوم تحت الماء (أنظر "التركيب").
- نظام التصريف الجداري غير مزود بأنبوب تنفس.
- إذا بقيت المشكلة حتى بعد هذه الفحوص، أقل حنفية الماء، أوقف تشغيل الجهاز واتصل بمركز المساعدة التقنية. إذا كان المسكن في أحد الطوابق العلوية من المبنى، فمن الممكن أن تكون هناك مشاكل متعلقة بتصريف الماء، تسبب لماكنة الغسيل الامتلاء بالماء وإفراغه بشكل متكرر. هناك صمامات خاصة متوفرة في الحوائط لمنع التصريف، وهي تساعد على تحاشي هذه المشكلة.

ماكينة الغسيل لا تصرف الماء أو لا تعصر.

- دورة الغسيل لا تشمل التصريف: بعض دورات الغسيل تتطلب تشغيل مرحلة التصريف يدويا.
- وظيفة "الكي السهل" مشغلة: لإكمال دورة الغسيل، اضغط زر بدء/إيقاف مؤقت (أنظر "دورات الغسيل والخيارات").
- خرطوم التصريف ملتوي (أنظر "التركيب").
- أنبوب التصريف مسدود.

ماكينة الغسيل تهتز كثيرا خلال دورة العصر.

- لم يتم إزالة قفل البرميل بشكل صحيح خلال عملية التركيب (أنظر "التركيب").
- الماكينة غير مستوية (أنظر "التركيب").
- ماكينة الغسيل عالقة بين خزانات وجدران (أنظر "التركيب").

يوجد تسرب في ماكينة الغسيل.

- مدخل خرطوم الماء غير مثبت بشكل صحيح (أنظر "التركيب").
- حجرة مواد التنظيف مسدودة (لتعليمات التنظيف، أنظر "العناية والصيانة").
- خرطوم التصريف غير مثبت في مكانه بشكل صحيح (أنظر "التركيب").

مؤشرات "الخيار" و بدء/إيقاف مؤقتومض بسرعة ومؤشرات "مرحلة دورة الغسيل" وإقفال الباب مضاعة بشكل ثابت.

- قم بإيقاف تشغيل الماكينة وافصلها عن الكهرباء، انتظر حوالي دقيقة واحدة ثم أعد تشغيلها مرة أخرى.
- إذا بقيت المشكلة قائمة، اتصل بخدمة المساعدة التقنية.

يوجد الكثير من الرغوة.

- مواد التنظيف غير ملائمة لماكنة الغسيل (يجب أن تطابق الوصف "لماكينات الغسيل" أو "للغسيل اليدوي وماكينات الغسيل"، أو التعليمات المشابهة).
- تم استخدام كمية مواد تنظيف أكثر مما يجب.





### فهرست مطالب

#### نصب، 38-39

باز کردن بسته بندی و تراز کردن  
وصل کردن لوله های آب و سیم های برق  
اولین برنامه شستشو  
اطلاعات فنی

#### معرفی ماشین لباس شویی و اجرای یک برنامه

#### شستشو، 40-41

صفحه کنترل  
چراغهای نشانگر  
اجرای یک برنامه شستشو

#### برنامه های شستشو، 42

جدول برنامه های شستشو

#### سفارشی سازی، 43

تنظیم دما  
تنظیم سرعت چرخش  
گزینه ها

PWC 7105 W

#### مواد شوینده و لباس شویی، 44

کشوی مخزن مواد شوینده  
برنامه سفیدکننده  
آماده کردن لباس ها  
البسه نیازمند توجه ویژه  
سیستم متعادل سازی بار

#### نکات و موارد احتیاطی، 45

ایمنی کلی  
دور انداختن  
باز کردن دستی در

#### نگهداری و مراقبت، 46

قطع کردن لوله های آب و سیم های برق  
تمیز کردن ماشین لباس شویی  
تمیز کردن کشوی مخزن مواد شوینده  
تمیز کردن پمپ  
چک کردن شلنگ آب ورودی

#### عیب یابی، 47

#### خدمات کمک رسانی فنی، 48

تراز کردن صحیح ماشین باعث می شود تا پایداری لازم را داشته باشد، و از ارتعاشات و صدای بیش از اندازه جلوگیری کرده و نمی گذارد که دستگاه در حین کار به اطراف حرکت کند. اگر ماشین را روی فرش یا موکت قرار می دهید، پایه های آنرا طوری تنظیم کنید که فضای تهویه کافی در زیر ماشین لباس شوئی وجود داشته باشد.

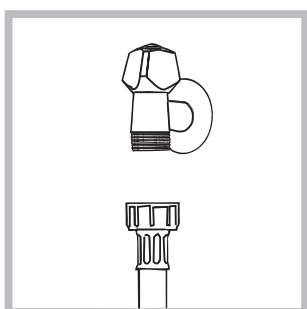
! این دفترچه راهنما را برای استفاده های آتی در مکانی مطمئن نگهداری کنید. اگر ماشین لباس شوئی را می فروشید، به دیگری می دهید یا جابجا می کنید حتماً دفترچه راهنما را داخل آن بگذارید، تا صاحب جدید بتواند از اطلاعات آن استفاده کند و با مشخصات و عملکرد های دستگاه آشنا شود.

! این دستور العملها را با دقت تمام مطالعه کنید: این دفترچه حاوی اطلاعات بسیار مهمی درباره نصب و عملکرد ایمن دستگاه است.

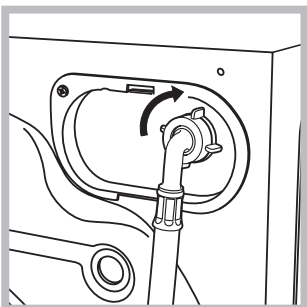
## وصل کردن لوله های آب و سیم های برق

### وصل کردن شلنگ آب ورودی

1. شلنگ ورودی را با استفاده از یک اتصال رزوه دار 3/4 گازی به شیر آب سرد وصل کنید (شکل را ببینید).  
قبل از انجام این اتصال، بگذارید آب کمی برود تا کاملاً شفاف شود.



2. شلنگ ورودی را به ورودی آب متناظر روی ماشین لباس شوئی که در بالا سمت راست پشت دستگاه قرار دارد وصل کنید (شکل را ببینید).



3. مطمئن شوید که شلنگ خم یا تا نشده باشد.

! فشار آب شیر باید در محدوده مشخص شده در جدول اطلاعات فنی باشد (صفحه بعد را ببینید).

! اگر شلنگ ورودی به اندازه کافی بلند نیست، به فروشگاه های لوازم لوله کشی یا تکنسین های مجاز مراجعه کنید.

! هرگز از شلنگ های دست دوم استفاده نکنید.

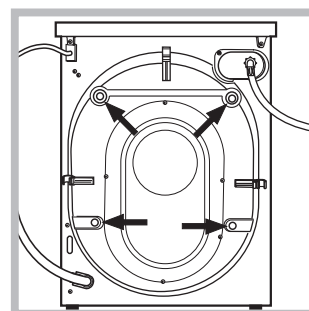
! از آنهایی که همراه دستگاه ارائه شده اند استفاده کنید.

### باز کردن بسته بندی و تراز کردن

#### باز کردن بسته بندی

1. بسته بندی ماشین لباس شوئی را باز کنید.  
2. مطمئن شوید که ماشین لباس شوئی در حین حمل و نقل آسیبی ندیده باشد. اگر ماشین آسیب دیده است، آنرا نصب نکرده و با فروشنده تماس بگیرید.

3. 4 پیچ محافظ (اینها در طول حمل و نقل کاربرد دارند) و واشر لاستیکی با پوش متناظر را که در پشت ماشین لباس شوئی قرار دارند بردارید (شکل را ببینید).



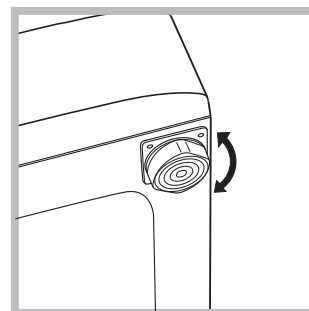
4. سوراخ ها را با درپوش های پلاستیکی ارائه شده ببندید.  
5. همه قطعات را در مکان امنی نگهداری کنید. اگر بعداً بخواهید ماشین لباس شوئی را به جای دیگری ببرید به آنها نیاز خواهید داشت.

! از مواد بسته بندی نباید بعنوان اسباب بازی برای بچه ها استفاده کرد.

#### تراز کردن

1. ماشین لباس شوئی را روی یک سطح صاف و محکم نصب کنید، نباید ماشین لباس شوئی را به دیوار، کابینت یا هیچ چیز دیگری تکیه داد.

2. اگر کف صاف و تراز نباشد می توانید با سفت یا شل کردن پایه های قابل تنظیم ماشین که در جلوی آن قرار دارد تراز کنید (شکل را ببینید)؛ حداکثر زاویه که به نسبت میز و سطح کار سنجیده می شود نباید از 2 درجه بیشتر باشد.



## وصل کردن شلنگ تخلیه

! از سیم های رابط با چند پریز استفاده نکنید.

! سیم نباید خم شده یا تحت فشار باشد.

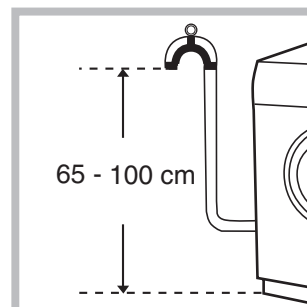
! تعویض سیم برق فقط باید توسط تکنسین های مجاز انجام شود.

هشدار! شرکت مسئول حوادثی نخواهد بود که در صورت عدم رعایت این مقررات بوجود آمده اند.

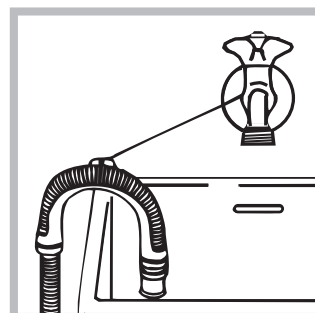
### اولین برنامه شستشو

بعد از اینکه دستگاه نصب شد، و پیش از اینکه برای بار اول آنرا استفاده کنید، یک برنامه شستشو با ماده شوینده ولی بدون لباس اجرا کنید، برای اینکار از برنامه شستشوی 3 استفاده کنید.

شلنگ تخلیه را بدون اینکه آنرا خم یا تا کنید، به لوله خرطومی فاضلاب یا لوله فاضلاب دیواری که در ارتفاعی بین 65 تا 100 سانتیمتری کف قرار دارد وصل کنید؛



یا اینکه می توانید آنرا در داخل سینک یا وان بگذارید، و خرطومی ارائه شده را به شیر وصل کنید (شکل را ببینید). سر آزاد شلنگ نباید زیر آب باشد.



! استفاده از شلنگ های اضافی و رابط توصیه نمی شود؛ اگر واقعاً ضرورت دارد، قطر شلنگ اضافی باید دقیقاً برابر شلنگ اصلی بوده و طول آن نباید از 150 سانتیمتر بیشتر باشد.

### اتصالات برق

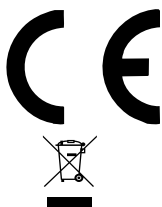
قبل از اینکه دوشاخه دستگاه را به پریز وصل کنید، مطمئن شوید که:

- پریز ارت (اتصال زمین) دارد و با قوانین و مقررات جاری سازگار است؛
- پریز قادر به تحمل بار حداکثر دستگاه که در جدول اطلاعات فنی درج شده، می باشد (مقابل را ببینید)؛
- ولتاژ برق در محدوده مشخص شده در جدول اطلاعات فنی باشد (مقابل را ببینید)؛
- پریز برای دوشاخه ماشین لباس شویی مناسب باشد. اگر چنین نبود، پریز یا دوشاخه را عوض کنید.

! این ماشین لباس شویی را نباید در بیرون از ساختمان، حتی در محیطی پوشش دار نصب کرد. قرار دادن وسیله در معرض باران و طوفان و سایر شرایط جوی بسیار خطرناک است.

! بعد از اینکه ماشین لباس شویی نصب شد، پریز برق باید به آسانی در دسترس باشد.

اطلاعات فنی	
مدل	PWC 7105 W
ابعاد	عرض 59.5 سانتیمتر ارتفاع 85 سانتیمتر طول 55 سانتی متر
ظرفیت	بین 1 تا 7 کیلوگرم
اتصالات برق	لطفاً به پلاک نصب شده روی دستگاه مراجعه کنید
اتصالات آب	حداکثر فشار 1 مگاپاسکال (10 بار) حداقل فشار 0.05 مگاپاسکال (0.5 بار) ظرفیت مخزن 52 لیتر
سرعت چرخش	تا 1000 دور در دقیقه
برنامه های شستشو	برنامه شستشوی 2؛ دما 60 درجه
را بر اساس EN 60456 آزمایش کنید	سانتیگراد؛ با 7 کیلوگرم بار
	این دستگاه با مصوبات اتحادیه اروپا به شرح زیر سازگاری دارد: - 89/336/EEC مورخ 03.05.89 (سازگاری الکترومغناطیسی) و متمم های متعاقب - 2002/96/EC - 2006/95/EC (ولتاژ پایین)

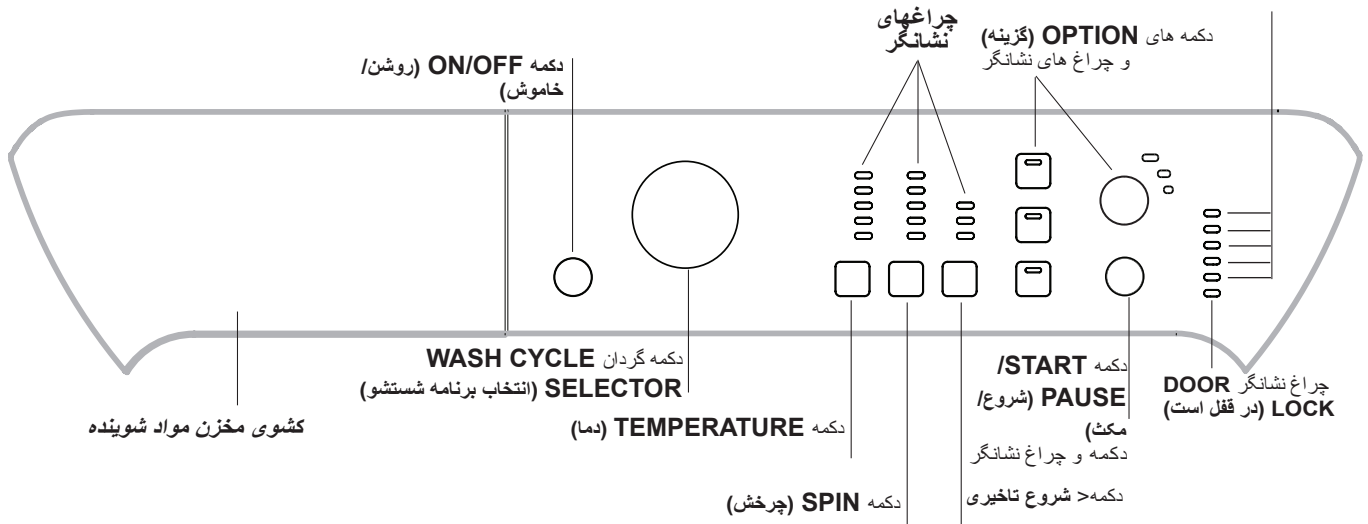


# معرفی ماشین لباس شویی و اجرای یک برنامه شستشو

صفحه کنترل

فارسی

چراغهای نشانگر مرحله برنامه شستشو



**توجه:** بعد از اینکه دکمه **START/PAUSE** (شروع/مکث) را فشار می دهید، زمان تاخیر را فقط می توان کاهش داد تا به شروع اجرای برنامه برسیم و امکان اعمال تغییر دیگری در آن نیست. **!** این گزینه در تمام برنامه ها فعال است.

**چراغهای نشانگر مرحله برنامه شستشو:** برای بررسی وضعیت پیشرفت برنامه شستشو کاربرد دارد. چراغ نشانگری که روشن است مرحله پیشرفت برنامه شستشو را نشان می دهد. اگر عملکرد "تایمر تاخیر" تنظیم شده باشد، زمان باقیمانده تا شروع برنامه شستشو مشخص می شود. چراغ نشانگر **DOOR LOCKED** (در قفل است): باز یا بسته بودن در را نشان می دهد.

دکمه **START/PAUSE** (شروع/مکث) و چراغ نشانگر: برنامه شستشو را شروع یا موقتاً قطع می کند. **توجه:** برای قطع موقتی یک برنامه شستشوی در حال اجرا، این دکمه را فشار دهید؛ چراغ نشانگر متناظر به رنگ نارنجی چشمک خواهد زد، در حالی که چراغ نشانگر مرحله فعلی برنامه بطور ثابت روشن می ماند. اگر چراغ نشانگر **DOOR LOCKED** (در قفل است) خاموش است، شاید در باز باشد. برای شروع دوباره برنامه از نقطه ای که متوقف شده بود، این دکمه را دوباره فشار دهید.

**کشوی مخزن مواد شوینده:** برای ریختن مواد شوینده و افزودنی های مخصوص شستشو استفاده می شود.

دکمه **ON/OFF** (روشن/خاموش): ماشین لباس شویی را روشن و خاموش می کند.

دکمه گردان **WASH CYCLE SELECTOR** (انتخاب برنامه شستشو): با این دکمه برنامه های شستشو را می دهید. دکمه گردان در حین اجرای برنامه ها حرکت نمی کند.

دکمه های **OPTION (گزینه)** و چراغهای نشانگر: برای انتخاب گزینه های موجود فشار دهید. چراغ نشانگر متناظر با گزینه انتخاب شده روشن باقی می ماند.

دکمه **SPIN (چرخش)**: سرعت چرخش را تنظیم کرده یا مرحله چرخش را کلاً حذف کنید ("سفارشی سازی" را ببینید).

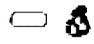
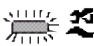
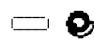
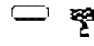
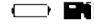
دکمه **TEMPERATURE (دما)**: دمای شستشو یا برنامه شستشوی سرد را تنظیم کنید ("سفارشی سازی" را ببینید).

**دکمه شروع تاخیری:**

این تایمر شروع اجرای برنامه شستشو را تا 9 ساعت به تاخیر می اندازد.

دکمه را مکرراً فشار دهید تا چراغ نشانگر متناظر با زمان تاخیر مورد نظر روشن می شود. بعد از پنج بار فشار دادن دکمه، گزینه لغو می شود.

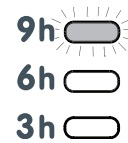
## چراغهای نشانگر

	شستشوی اصلی
	آبکشی
	چرخش
	تخلیه آب
	پایان برنامه شستشو

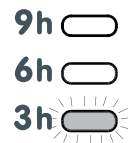
چراغ های نشانگر اطلاعات بسیار مهمی ارائه می کنند. با توجه به آنها می توانید از موارد زیر آگاه شوید:

### شروع تاخیری

اگر گزینه "شروع تاخیری" فعال شده باشد ("سفارشی سازی" را ببینید)، چراغ نشانگر متناظر با تاخیر انتخاب شده بعد از شروع برنامه شستشو چشمک خواهد زد:



با گذشت زمان، تاخیر باقیمانده نمایش داده شده و چراغ نشانگر متناظر چشمک خواهد زد:



### دکمه های گزینه ها و چراغ های نشانگر متناظر

هرگاه گزینه ای را انتخاب کنید، چراغ نشانگر متناظر با آن روشن خواهد شد. اگر گزینه انتخاب شده با برنامه شستشو همخوانی نداشته باشد، چراغ نشانگر چشمک می زند و گزینه فعال نخواهد شد. اگر گزینه انتخاب شده با گزینه دیگری که قبلاً انتخاب شده است همخوانی نداشته باشد، چراغ نشانگر متناظر با گزینه اول چشمک خواهد زد و فقط گزینه دوم فعال می شود؛ چراغ نشانگر متناظر با گزینه فعال شده روشن باقی خواهد ماند. **توجه:** اگر گزینه SMART (هوشمند) انتخاب شده باشد، هیچ یک از گزینه های غیرسازگار را نمی توان فعال کرد.

### چراغ نشانگر قفل بودن در

وقتی این چراغ نشانگر روشن است بدین معنی است که در مخزن قفل شده تا بطور اتفاقی باز نشود؛ قیل از اینکه در را باز کنید باید مطمئن شوید که این چراغ نشانگر خاموش شده باشد. برای باز کردن در در حین اجرای یک برنامه شستشو، دکمه START/PAUSE (شروع/مکث) را فشار دهید؛ در را فقط وقتی می توانید باز کنید که چراغ نشانگر DOOR LOCKED (در قفل است) خاموش شده باشد.

**!** چشمک زدن سریع چراغهای نشانگر "گزینه" و START/PAUSE (شروع/مکث)، همراه با روشن شدن چراغهای نشانگر "مرحله برنامه شستشو" و DOOR LOCKED (در قفل است) به استفاده کننده اطلاع می دهند که اشکالی رخ داده است (بخش "عیب یابی" را ببینید).

### چراغهای نشانگر مرحله برنامه شستشو

بعد از اینکه برنامه شستشوی دلخواه را انتخاب و اجرا کردید، چراغ های نشانگر یک به یک و بر اساس مرحله از برنامه که در حال اجراست روشن می شوند.

### اجرای یک برنامه شستشو

1. دستگاه را با فشار دادن دکمه ON/OFF (روشن/خاموش) روشن کنید. همه چراغهای نشانگر برای چند ثانیه روشن می شوند، سپس فقط چراغهای متناظر با تنظیمات برنامه انتخاب شده روشن می مانند؛ چراغ نشانگر START/PAUSE (شروع/مکث) نیز چشمک خواهد زد.
2. لباس ها را قرار دهید و در را ببندید.
3. دکمه گردان WASH CYCLE SELECTOR (انتخاب برنامه شستشو) را روی برنامه دلخواه تنظیم کنید.
4. دمای شستشو را تنظیم کنید ("سفارشی سازی" را ببینید).
5. سرعت چرخش را تنظیم کنید ("سفارشی سازی" را ببینید).
6. اندازه لازم مواد شوینده و افزودنی های مخصوص شستشو را بردارید (به بخش "مواد شوینده و لباس شوئی" مراجعه کنید).
7. گزینه های دلخواه را انتخاب کنید.
8. با فشار دادن دکمه START/PAUSE (شروع/مکث) شستشو را آغاز کنید، چراغ نشانگر متناظر برنگ آبی درآمده و بطور ثابت روشن می ماند. برای لغو برنامه شستشوی انتخاب شده، دکمه START/PAUSE (شروع/مکث) را فشار دهید تا کار دستگاه موقتاً قطع شود سپس برنامه جدیدی انتخاب کنید.
9. در پایان برنامه شستشو، چراغ نشانگر END (پایان) روشن می ماند. فقط بعد از اینکه چراغ نشانگر DOOR LOCKED (در قفل است) خاموش شد می توانید در را باز کنید. لباس های شسته شده را بیرون آورده و در را نیمه باز بگذارید تا مخزن کاملاً خشک شود. ماشین لباس شوئی را با فشار دادن دکمه ON/OFF (روشن/خاموش) خاموش کنید.

## جدول برنامه های شستشو

فارسی

مدت زمان برنامه	حداکثر بار (کیلوگرم)	مواد شوینده				حداکثر سرعت (دور در دقیقه)	حداکثر دما (درجه سانتیگراد)	معرفی برنامه های شستشو	برنامه های شستشو
		نرم کننده	سفیدکننده	شستشوی اصلی	پیش شستشو				
<b>برنامه های هوشمند</b>									
171	7	•	-	•	•	1000	90°	کتان با پیش شستشو: البسه سفید خیلی کثیف.	1
152	7	•	•	•	-	1000	90°	کتان: البسه سفید خیلی کثیف.	2
153	7	•	•	•	-	1000	60°	کتان (1): البسه سفید و رنگ های با دوام خیلی کثیف.	2
147	7	•	•	•	-	1000	40°	کتان (2): البسه سفید و رنگ های ظریف خیلی کثیف.	2
130	7	•	•	•	-	1000	60°	کتان سفید: البسه سفید و رنگ های با دوام خیلی کثیف.	3
92	7	•	•	•	-	1000	40°	کتان های رنگی (3): البسه سفید و رنگ های ظریف کمی کثیف.	4
80	3	•	•	•	-	800	60°	پارچه های سنتتیک: البسه با رنگ های با دوام خیلی کثیف.	5
74	3	•	•	•	-	800	40°	پارچه های سنتتیک: البسه با رنگ های با دوام کمی کثیف.	6
80	3,5	•	-	•	-	800	40°	چین	7
70	2	•	•	•	-	600	40°	پیراهن	8
30	3	•	-	•	-	800	آب سرد	مخلوط خنک 30°: برای تمیز کردن سریع البسه ای که کمی کثیف هستند (برای البسه پشمی، ابریشمی و لباس هایی که باید با دست شسته شوند مناسب نیست).	9
<b>برنامه های ویژه</b>									
55	1,5	•	-	•	-	600	40°	پشمی: برای پارچه های پشمی، ترمه، غیره	10
55	1	•	-	•	-	0	30°	ابریشم: برای پارچه های ابریشمی و ویسکوز، لباس های زیر.	11
50	حداکثر 2 جفت	•	-	•	-	600	30°	کفشهای ورزشی	12
46	2	-	-	•	-	400	30°	لباس های بیرون*	13
<b>برنامه های جزئی</b>									
36	7	•	•	-	-	1000	-	آبکشی	☹
16	7	-	-	-	-	1000	-	چرخش	☺
2	7	-	-	-	-	0	-	تخلیه آب	☹☹

اطلاعات درج شده در این جدول صرفاً جنبه راهنمایی دارند.

برای کلیه موسسات سنجشگر:

- برنامه شستشو را بر اساس EN 60456 آزمایش کنید: برنامه شستشوی 2 را با دمای 60 درجه سانتیگراد انتخاب کنید.
- برنامه شستشوی طولانی برای پارچه های کتان: برنامه شستشوی 2 را با دمای 40 درجه سانتیگراد انتخاب کنید.
- برنامه شستشوی کوتاه برای پارچه های کتان: برنامه شستشوی 4 را با دمای 40 درجه سانتیگراد تنظیم کنید.


## تنظیم دما

برای انتخاب دمای شستشو دکمه TEMPERATURE (دما) را بچرخانید (جدول برنامه های شستشو را ببینید). دما را می توان کم کرده، یا حتی شستشوی سرد انجام داد ❄️. ماشین لباس شویی بطور خودکار شما را از انتخاب دمایی که بالاتر از مقدار حداکثر تعیین شده برای هر برنامه شستشو است باز می دارد.

## تنظیم سرعت چرخش

دکمه گردان SPIN (چرخش) را روی سرعت چرخش برنامه شستشوی انتخابی قرار دهید. حداکثر سرعت های چرخش موجود برای هر برنامه شستشو بدین شرح می باشند:

برنامه های شستشو	حداکثر سرعت چرخش
کتان	1000 دور در دقیقه
پارچه های سنتتیک	800 دور در دقیقه
پشمی	600 دور در دقیقه
ابریشم	فقط تخلیه

سرعت چرخش را می توان کم کرد، یا اصلاً با انتخاب نماد  بخش چرخش را حذف کرد. ماشین لباس شویی بطور خودکار شما را از انتخاب سرعت چرخشی که بالاتر از مقدار حداکثر سرعت چرخش تعیین شده برای هر برنامه شستشو است باز می دارد.

## گزینه ها

این ماشین لباس شویی با دارا بودن قابلیت های مختلف شستشو به شما کمک می کند تا در هر بار شستن بهترین نتیجه را بدست آورید. برای فعال کردن گزینه ها:

1. دکمه متناظر با گزینه دلخواه را فشار دهید؛
  2. گزینه هنگامی که چراغ نشانگر متناظر آن روشن شود، فعال می گردد.
- توجه: اگر چراغ نشانگر با سرعت زیادی چشمک می زند بدین معنی است که این گزینه خاص را نمی توان در برنامه شستشوی فعلی انتخاب کرد.

## SMART

گزینه SMART شستشو را بر اساس بار قرار داده شده در ماشین بهینه می کند، در نتیجه مدت زمان کلی اجرای برنامه را می کاهش و مصرف آب و انرژی را نیز کم می کند. برای انتخاب نوع برنامه دلخواه دکمه SMART را فشار دهید:

**فور یو:** برنامه استاندارد شستشو برای لباسهایی با کثیفی عادی.

**شدید:** برنامه شستشوی فشرده برای لباسهای خیلی کثیف.

**شستشوی سریع:** برنامه شستشوی سریعی لباسهای کمی کثیف.

! این برنامه را فقط می توان همراه با برنامه های 1، 2، 3، 4، 5، 6 (هر سه سطح) و 7، 8، 9 (فور یو و شستشوی سریع) بکار برد.

## آیکشی اضافه

با انتخاب این گزینه، راندمان آیکشی افزایش یافته و حذف کامل مواد شوینده تضمین می شود. این حالت بطور خاص برای پوست های حساس مفید است. ! همراه با برنامه های 9، 10، 12، 13 قابل استفاده نیست.

## اتوی آسان

با انتخاب این قابلیت، برنامه های شستشو و چرخش طوری تنظیم می شوند که لباس ها کمتر چروک بخورند. در پایان برنامه شستشو، ماشین لباس

شویی چرخش های آهسته ای به مخزن می دهد؛ چراغ نشانگر گزینه های EASY IRON (اتوی آسان) و START/PAUSE (شروع/مکث)

چشمک می زنند (اولی به رنگ آبی، دومی به رنگ نارنجی) و چراغ نشانگر "END" (پایان) روشن می شود. برای پایان دادن به برنامه دکمه

START/PAUSE (شروع/مکث) یا دکمه EASY IRON (اتوی آسان) را فشار دهید. در برنامه شستشوی شماره 11-13، ماشین در حالی که لباس ها

آب می خورند برنامه را پایان می دهد و چراغ نشانگر EASY IRON (اتوی آسان) و START/PAUSE (شروع/مکث) چشمک خواهند زد.

برای تخلیه آب و بیرون آوردن لباس ها، دکمه START/PAUSE (شروع/مکث) یا دکمه EASY IRON (اتوی آسان) را فشار دهید.

! همراه با برنامه های 9، 10، 12، 13، 14، 15 قابل استفاده نیست.

## پاک کردن لکه ها

برنامه سفیدکننده برای پاک کردن لکه های سرسخت طراحی شده است. لطفاً فراموش نکنید که باید سفیدکننده را در محفظه اضافی شماره 4 بریزید ("برنامه سفیدکننده" را ببینید).

! همراه با برنامه های 1، 7، 9، 10، 11، 12، 13، 14، 15 قابل استفاده نیست.

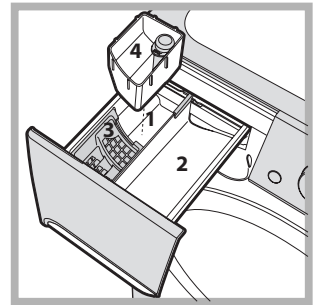


## کشوی مخزن مواد شوینده

بدست آوردن نتیجه خوب از شستشو به استفاده از میزان صحیح ماده شوینده نیز بستگی دارد: افزودن بیش از اندازه ماده شوینده لزوماً باعث بهتر شدن شستشو نمی شود، و حتی ممکن است ماده شوینده اضافی در داخل ماشین لباس شوئی شما جمع شده و آلودگی های زیست محیطی ایجاد کند.

! از مواد شوینده مخصوص شستن دست استفاده نکنید چون خیلی کف تولید می کنند.

کشوی مخزن مواد شوینده را باز کرده و ماده شوینده یا افزودنی شستشو را به ترتیب زیر بریزید.



### مخزن 1: شوینده پیش شستشو (پودر)

قبل از ریختن ماده شوینده، مطمئن شوید که مخزن اضافی 4 را بیرون آورده باشید.

### مخزن 2: شوینده برای برنامه شستشو (پودر یا مایع)

شوینده مایع باید فقط درست قبل از شروع برنامه شستشو ریخته شود.

### مخزن 3: افزودنی ها (نرم کننده ها، غیره)

نرم کننده نباید سرریز کند.

### مخزن اضافی 4: سفیدکننده

## برنامه سفیدکننده

! سفیدکننده های عادی باید برای پارچه های سفید با بافت مستحکم استفاده شده و سفیدکننده های ظریف برای پارچه های رنگی، سنتتیک یا پشمی استفاده گردد.

این گزینه برای پاک کردن لکه های سخت بسیار مفید است. محفظه اضافی 4 (ارائه شده) را در داخل مخزن 1 قرار دهید. هنگامی که سفیدکننده را می ریزید، مواظب باشید که از خط «max» (حداکثر) مشخص شده روی محور مرکزی بیشتر نریزید (شکل را ببینید).

برای اینکه برنامه سفیدکننده را جداگانه اجرا کنید، سفیدکننده را در محفظه اضافی 4 بریزید، برنامه "آبکشی" را انتخاب کرده و گزینه "پاک کردن لکه ها" را فعال کنید. برای سفیدکنندگی همراه با برنامه شستشو، ماده شوینده و نرم کننده را ریخته، برنامه دلخواه را انتخاب کرده و گزینه "لکه بر" را فعال کنید. اگر از مخزن اضافی 4 استفاده کنید، پیش شستشو انجام نخواهد شد.

## آماده کردن لباس ها

- لباس ها را بر اساس طبقه بندی های زیر تفکیک کنید:
  - نوع پارچه/علامت روی برچسب لباس
  - رنگ ها: لباس های رنگی را از سفیدها جدا کنید.
  - جیب لباس ها را خالی کرده و دکمه های آنها را چک کنید.
  - از مقادیر ذکر شده بیشتر نریزید، این مقادیر بیانگر وزن لباس ها در حالت خشک هستند:

پارچه های بادوام: حداکثر 7 کیلوگرم

پارچه های سنتتیک: حداکثر 3 کیلوگرم

پارچه های ظریف: حداکثر 2 کیلوگرم

پشمی: حداکثر 1.5 کیلوگرم

ابریشم: حداکثر 1 کیلوگرم

وزن لباس های شما چقدر است؟

1 ملحفه 500 - 400 گرم

1 روبالشی 200 - 150 گرم

1 رومیزی 500 - 400 گرم

1 حوله حمام 1200 - 900 گرم

1 حوله 250 - 150 گرم

## البسه نیازمند توجه ویژه

**جین:** لباس ها را قبل از شستن پشت و رو کرده و از مواد شوینده مایع استفاده کنید. از برنامه شستشوی 7 استفاده کنید.

**پیراهن:** برای شستن پیراهنهای تهیه شده از پارچه های گوناگون و در رنگهای مختلف از برنامه شستشوی ویژه 8 استفاده کنید.

این کار بهتر از البسه شما مراقبت کرده و چپک و چروک خوردن را به حداقل می رساند.

**مخلوط-خنک 30:** این برنامه برای شستشوی سریع پارچه ها و

لباسهایی طراحی شده که فقط کمی کثیف شده اند: این برنامه تنها 30 دقیقه طول می کشد و در وقت و انرژی صرفه جویی می نماید. با

انتخاب کردن این برنامه شستشوی 9 می توانید پارچه های مختلف را با هم بشویید (بجز پشمی و ابریشمی)، تا بار حداکثر 3 کیلوگرم.

**پشمی:** برنامه شستشوی 10 را می توان برای تمام لباسهای پشمی، حتی آنهایی که بر چسب "فقط شستشوی دستی" دارند استفاده

کرد. برای بدست آوردن بهترین نتیجه، از شوینده های مخصوص استفاده کرده و بیشتر از 1.5 کیلوگرم بار در ماشین قرار ندهید.

**ابریشم:** برای شستن کلیه البسه و پارچه های ابریشمی از برنامه

شستشوی ویژه 11 استفاده کنید. توصیه می شود از مواد شوینده

ویژه که برای شستن پارچه های ظریف طراحی شده اند استفاده کنید.

**پرده ها:** توصیه می شود پرده ها را تا کرده و در یک روبالشی یا کیسه توری بیاندازید. از برنامه شستشوی 11 استفاده کنید.

**کفشهای ورزشی (برنامه شستشو 12):** برای شستن کفش های

ورزشی مناسب است؛ برای بدست آوردن بهترین نتیجه بیش از 2 جفت کفش را همزمان نشویید.

**لباسهای بیرون (برنامه شستشو 13):** این برنامه مخصوص

لباس های ضد آب و کاپشن های زمستانه است (مانند پارچه های گرتکس، پلی استر، نایلون)؛ برای بدست آوردن بهترین نتیجه

از شوینده های مایع استفاده کرده و مقدار آنرا به اندازه نصف بار دستگاه بریزید؛ در صورت لزوم بقیه ها، آستین ها و لکه ها را ابتدا تمیز کنید؛ از نرم کننده یا شوینده های حاوی نرم کننده

استفاده نکنید. این برنامه برای شستن پتو مناسب نیست.

## سیستم متعادل سازی بار

به منظور جلوگیری از ارتعاشات بیش از حد و توزیع یکنواخت بار، مخزن ماشین لباس شوئی قبل از هر بار چرخش در برنامه با سرعتی

که کمی بیشتر از سرعت چرخش برنامه است بطور پیوسته می گردد. اگر بعد از چند بار تلاش بار بطور مناسبی متعادل نگردید، دستگاه با

سرعت کمتری خواهید چرخید. اگر بار بیش از حد متعادل شده باشد، ماشین لباس شوئی به جای چرخش به فرایند متعادل سازی بار می

پردازد. توصیه می کنیم برای بدست آوردن توزیع بار و تعادل بهینه

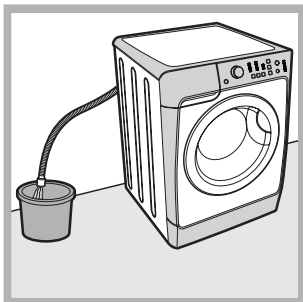
لباس های بزرگ و کوچک بطور مخلوط در ماشین قرار داده شوند.



## باز کردن دستی در

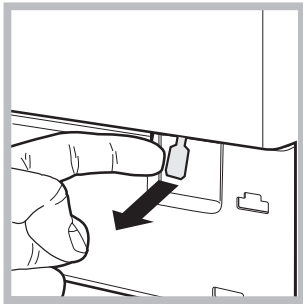
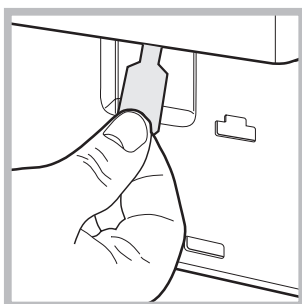
اگر به دلیل قطع برق موفق به باز کردن در نشدید، و می خواهید لباس ها را از داخل ماشین لباس شویی خارج کنید، به روش زیر عمل کنید:

1. دوشاخه دستگاه را از پریز برق جدا کنید.
2. مطمئن شوید که سطح آب درون ماشین لباس شویی پایین تر از در باز شده است؛ اگر چنین نبود، آب اضافی را با شلنگ تخلیه خارج کرده و آنرا مطابق شکل در یک سطل بریزید.



3. با استفاده از یک پیچ گوشتی، صفحه روئی بخش جلو و پایین ماشین لباس شویی را بردارید (پشت را ببینید).

4. با استفاده از زبانه و مطابق شکل آنرا به بیرون بکشید، تا میله پلاستیکی از جایگاه ثابت شده اش بیرون بیاید؛ در را همزمان به پایین کشیده و باز کنید.



5. صفحه را دوباره قرار دهید، مطمئن شوید که قلاب ها قبل از اینکه صفحه را بروی دستگاه فشار دهید در جای صحیح خود قرار داشته باشند.

! این ماشین لباس شویی بر اساس استانداردهای بین المللی در زمینه ایمنی طراحی و ساخته شده است. اطلاعات زیر برای منظور حفظ ایمنی ارائه شده و می بایست با دقت مطالعه شوند.

## ایمنی کلی

- دستگاه فقط برای مصرف خانگی طراحی شده است.
- این ماشین لباس شویی فقط باید توسط افراد بزرگسال، و بر اساس دستورالعملهای این دفترچه راهنما به کار گرفته شود.
- با پای لخت یا با دست یا پای تر یا خیس وسیله را لمس نکنید.
- موقعی که می خواهید دوشاخه دستگاه را از پریز بکشید، سیم را نکشید. دوشاخه را گرفته و بکشید.
- هنگامی که دستگاه در حال کار است کشوی مخزن مواد شوینده را باز نکنید.
- به آب تخلیه شده دست نزنید چون ممکن است خیلی داغ باشد.
- هرگز به در مخزن زور وارد نکنید. این کار باعث خراب شدن قفل های ایمنی آن که برای جلوگیری از باز شدن اتفاقی در طراحی شده اند می شود.
- اگر ماشین لباس شویی از کار افتاد، تحت هیچ شرایطی سعی نکنید به بخشهای داخلی آن دست بزنید یا خودتان آنرا تعمیر کنید.
- موقعی که دستگاه در حال کار است اجازه ندهید بچه ها به آن نزدیک شوند.
- در ماشین لباس شویی در حین اجرای برنامه شستشو می تواند خیلی داغ شود.
- اگر می خواهید ماشین لباس شویی را جابجا کنید، دو یا سه نفری و با مواظبت این کار را انجام دهید. هرگز سعی نکنید این کار را تنهائی انجام دهید، چون ماشین لباس شویی خیلی سنگین است.
- قبل از قرار دادن لباس در ماشین لباس شویی، مطمئن شوید که مخزن آن خالی باشد.

## دور انداختن

- دور انداختن مواد بسته بندی:
- از قوانین محلی پیروی کنید تا بتوان از مواد بسته بندی دوباره استفاده کرد.
- مصوبه اروپایی 2002/96/EC در خصوص تجهیزات از کار افتاده برقی و الکترونیکی (WEEE) بیان می کند که لوازم خانگی نباید در چرخه عادی زباله های جامد شهری دور انداخته شوند. تجهیزات از کار افتاده باید جداگانه جمع آوری شوند تا هزینه استفاده دوباره و بازیافت مواد داخل آنها بهینه شده و از وارد آمدن خسارت های احتمالی به جو و سلامتی عمومی جلوگیری شود. علامت سطل زباله با یک ضربدر که روی تمام محصولات وجود دارد بدین معنی است که صاحب دستگاه باید تعهدات و مسئولیت های خود در قبال تفکیک زباله ها را رعایت کند.
- برای کسب اطلاعات بیشتر در خصوص روش صحیح دور انداختن لوازم خانگی، می توانید با سازمان های عمومی ذیربط یا فروشنده محلی لوازم خانگی صحبت کنید.

## قطع کردن لوله های آب و سیم های برق

- بعد از هر برنامه شستشو شیر آب را ببندید. این کار از فرسوده شدن سیستم هیدرولیک داخل ماشین لباس شویی و بروز نشئی جلوگیری می کند.
- همیشه موقع تمیز کردن ماشین لباس شویی و موقع انجام کارهای نگهداری، سیم برق را بکشید.

## تمیز کردن پمپ

ماشین لباس شویی مجهز به یک پمپ شوینده داخلی است که نیاز به نگهداری ندارد. گاهی اوقات، چیزهای کوچک (مانند سکه یا دکمه) ممکن است در محفظه ورودی محافظت کننده از پمپ بیافتند.

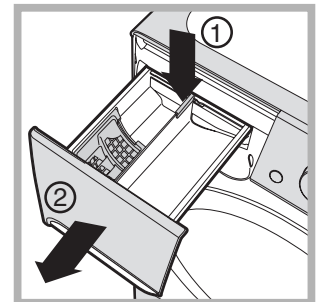
! ابتدا مطمئن شوید که برنامه شستشو تمام شده باشد و سپس سیم برق دستگاه را بکشید.

## تمیز کردن ماشین لباس شویی

بخشهای بیرونی و قطعات لاستیکی دستگاه را می توان با یک دستمال نرم خیسانده شده در آب صابون ولرم تمیز کرد. از حلال ها یا مواد ساینده استفاده نکنید.

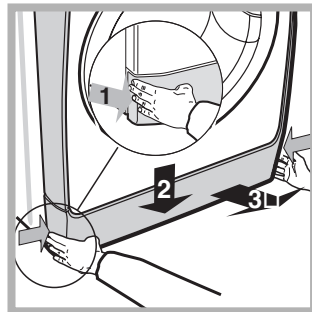
## تمیز کردن کشوی مخزن مواد شوینده

برای برداشتن کشو، اهرم (1) را فشار داده و کشو را بیرون بکشید (شکل را ببینید).  
آنرا زیر آب شیر تمیز کنید؛ این کار را باید مرتب انجام داد.

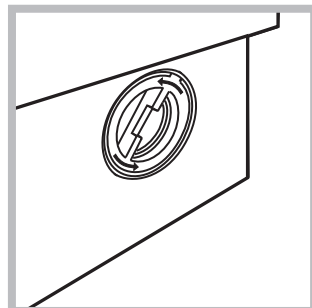


دسترسی به محفظه ورودی:

1. با فشار دادن روی مرکز صافه روئی در جلوی دستگاه و فشار دادن آن به پایین از هر دو طرف آنرا بردارید (شکلها را ببینید)؛



2. درپوش را در جهت خلاف حرکت عقربه های ساعت بچرخانید تا باز شود (شکل را ببینید): ممکن است کمی آب بیرون بریزد. این کاملاً عادی است؛



3. داخل آنرا با دقت تمیز کنید؛
4. درپوش را دوباره در جای آن قرار دهید؛
5. صفحه را دوباره قرار دهید، مطمئن شوید که قلاب ها قفل از اینکه صفحه را بروی دستگاه فشار دهید در جای صحیح خود قرار داشته باشند.

## چک کردن شلنگ آب ورودی

شلنگ ورودی را حداقل سالی یکبار بازمینی کنید. اگر ترک خوردگی در شلنگ هست باید فوراً آنرا تعویض کنید: در حین کار برنامه های شستشو، فشار آب خیلی زیاد است و یک شلنگ ترک خورده ممکن است به آسانی باز شود.

! هرگز از شلنگ های دست دوم استفاده نکنید.

امکان دارد ماشین لباس شویی هر از گاهی از کار بیفتد. قبل از تماس گرفتن با مرکز کمک رسانی فنی ("خدمات کمک رسانی فنی" را ببینید)، از فهرست زیر کمک گرفته و ببینید آیا مشکل بر راحتی قابل حل است یا خیر.

## دلایل احتمالی / راه حل ها:

## مشکل:

ماشین لباس شویی روشن نمی شود.

- دوشاخه دستگاه بطور کامل در پریز نرفته است، یا کنکتکت (تماس) کافی ندارد.
- برق قطع است.

برنامه شستشو شروع نمی شود.

- در ماشین لباس شویی درست بسته نشده است.
- دکمه ON/OFF (روشن/خاموش) فشار داده نشده است.
- دکمه START/PAUSE (شروع/مکث) فشار داده نشده است.
- شیر آب باز نیست.
- شروع تاخیری برنامه ریزی شده است.

ماشین لباس شویی آب نمی کشد (چراغ نشانگر اولین مرحله برنامه شستشو خیلی سریع چشمک می زند).

- شلنگ آب ورودی به شیر وصل نشده است.
- شلنگ تا شده است.
- شیر آب باز نیست.
- آب قطع است.
- فشار کم است.
- دکمه START/PAUSE (شروع/مکث) فشار داده نشده است.

ماشین لباس شویی بطور پیوسته آب می کشد و بیرون می دهد.

- شلنگ تخلیه در ارتفاعی بین 65 و 100 سانتیمتری کف نصب نشده است ("نصب" را ببینید).
- سر آزاد شلنگ زیر آب است ("نصب" را ببینید).
- سیستم تخلیه آب دارای لوله هواکش نیست.
- اگر مشکل بعد از اینکه بررسی های فوق را انجام دادید برطرف نشد، شیر آب را ببندید، دستگاه را خاموش کرده و با مرکز خدمات تماس بگیرید. اگر واحد مسکونی شما در طبقات بالایی ساختمان قرار دارد، ممکن است مشکلاتی با تخلیه آب وجود داشته باشند که باعث شوند ماشین لباس شویی دائماً آب بکشد و تخلیه کند. برای حل این مشکل می توانید یک شیر مخصوص ضد تخلیه از فروشگاه ها تهیه و نصب کنید.

ماشین لباس شویی تخلیه نمی کند یا نمی چرخد.

- برنامه شستشو شامل تخلیه نیست: در بعضی از برنامه های شستشو باید مرحله تخلیه بطور دستی شروع شود.
- گزینه EASY IRON (اتوی آسان) فعال است: برای تکمیل برنامه شستشو دکمه START/PAUSE (شروع/مکث) را فشار دهید ("برنامه های شستشو و گزینه ها" را ببینید).
- شلنگ آب خروجی تا شده است ("نصب" را ببینید).
- لوله فاضلاب گرفته است.

ماشین لباس شویی در طول مرحله چرخش ارتعاش زیادی دارد.

- قفل مخزن در حین نصب بطرز اشتباهی باز شده است ("نصب" را ببینید).
- ماشین لباس شویی تراز نیست ("نصب" را ببینید).
- ماشین لباس شویی بین کابینت ها و دیوار محبوس شده است ("نصب" را ببینید).

ماشین لباس شویی نشستی دارد.

- شلنگ ورودی آب درست نصب نشده است ("نصب" را ببینید).
- کشوی مخزن مواد شوینده گرفته است (برای آگاهی از روش تمیز کردن، "نگهداری و مراقبت" را ببینید).
- شلنگ آب خروجی درست نصب نشده است ("نصب" را ببینید).

چراغهای نشانگر "Option" (گزینه) و START/PAUSE (شروع/مکث) با سرعت چشمک زده و چراغهای نشانگر "مرحله برنامه شستشو" و DOOR LOCKED (در قفل است) روشن می شوند.

- دستگاه را خاموش کرده و دوشاخه آنرا بکشید، حدود 1 دقیقه صبر کرده و دوباره آنرا روشن کنید.
- اگر مشکل باقی مانده است، با خدمات کمک رسانی فنی تماس بگیرید.

- ماده شوینده مناسب ماشین لباس شویی نیست (عبارت "مناسب ماشین لباس شویی" یا "مناسب ماشین لباس شویی و شستش با دست" یا مشابه آنها باید روی جعبه آن نوشته شده باشد).
- شوینده زیادی مصرف شده است.

کف خیلی زیادی تولید شده است.

پیش از تماس با خدمات کمک رسانی فنی:

- ببینید آیا می توانید خودتان مشکل را برطرف کنید ("عیب یابی" را ببینید).
- برنامه شستشو را از نو شروع کنید تا ببینید آیا مشکل باقی مانده است یا خیر.
- اگر چنین نبود، با مرکز خدمات فنی تماس بگیرید.

**! همیشه فقط از تکنسین های مجاز کمک بگیرید.**

**لطفاً اطلاعات زیر را آماده داشته باشید:**

- نوع اشکال؛
  - مدل وسیله (Mod)؛
  - شماره سریال آن (S/N).
- این اطلاعات روی پلاک ماشین لباس شویی که در پشت آن نصب شده، و نیز در جلوی دستگاه وجود دارد که با باز کردن در می توانید آنها را ببینید.

CIS

Русский

**PWC 7105 W**

### Содержание

#### Установка, 50-51

Распаковка и нивелировка  
Подключение к водопроводу и электричеству  
Первый цикл стирки  
Технические характеристики

#### Описание стиральной машины и порядка запуска программы, 52-53

Панель управления  
Индикаторы  
Порядок запуска программы

#### Программы, 54

Таблица программ

#### Персонализированные настройки, 55

Регулировка температуры  
Выбор скорости отжима  
Дополнительные функции

#### Моющие средства и типы белья, 56

Распределитель моющих средств  
Отбеливание  
Подготовка белья  
Изделия, требующие деликатной стирки  
Система балансировки белья

#### Предосторожности и рекомендации, 57

Общие требования к безопасности  
Утилизация  
Аварийное открытие люка

#### Техническое обслуживание и уход, 58

Отключение воды и электрического тока  
Уход за стиральной машиной  
Уход за распределителем моющих средств  
Уход за насосом  
Проверка водопроводного шланга

#### Поиск неисправностей и методы их устранения, 59

#### Сервисное обслуживание, 60

# Установка

CIS

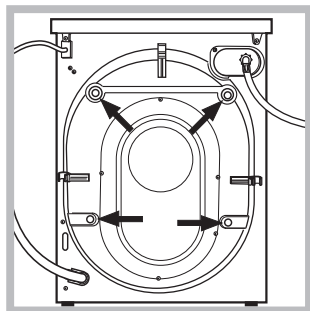
! Важно сохранить данное руководство для его последующих консультаций. В случае продажи, передачи или переезда на новую квартиру необходимо проверить, чтобы руководство оставалось вместе со стиральной машиной, чтобы ее новый владелец мог ознакомиться с порядком ее функционирования и соответствующими предупреждениями.

! Внимательно прочитайте инструкции: в них содержатся важные сведения о монтаже изделия, его эксплуатации и безопасности.

## Распаковка и выравнивание

### Снятие упаковки

1. Распаковать стиральную машину.
2. Проверить, чтобы стиральная машина не была повреждена в процессе перевозки. При обнаружении повреждений не выполнять ее подсоединений, а обратиться к продавцу.



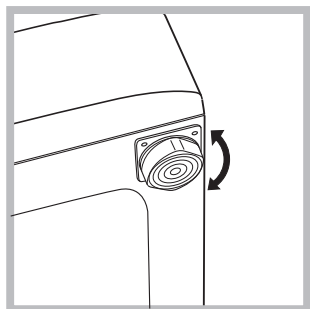
3. Снимите 4 винта, предохраняющие машину в процессе перевозки, и резиновую заглушку с соответствующей распорной шайбой, расположенные в задней части стиральной машины (см. схему).

4. Закройте отверстия прилегающими резиновыми заглушками.
5. Сохраните все детали: они должны быть установлены на стиральную машину в случае ее повторно й перевозки.

! Не разрешайте детям играть с упаковочными материалами.

### Нивелировка

1. Установите стиральную машину на плоском и прочном полу, не прислоняя ее к стенам, мебели и прочим предметам.

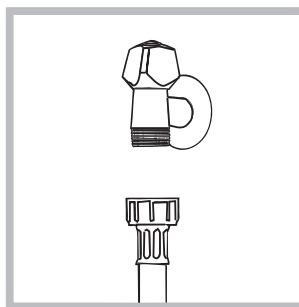


2. Если пол не является идеально горизонтальным, необходимо компенсировать неровность, отрегулировав по высоте передние ножки (см. схему). Уклон, измеренный при помощи уровня, установленного на поверхность машины, не должен превышать 2°.

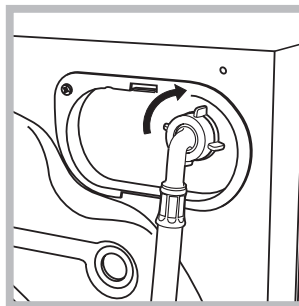
Точное выравнивание обеспечивает стабильность стиральной машины, помогает избежать ее вибраций и смещений в процессе функционирования. В случае установки машины на ковер или ковровое покрытие отрегулировать ножки таким образом, чтобы под стиральной машиной оставался достаточный зазор для вентиляции.

## Водопроводное и электрическое подсоединение

### Порядок подсоединения водопроводного шланга



1. Прикрутите шланг подачи к водопроводному крану холодной воды с резьбовым отверстием 3/4 газ, (см. схему). Перед подсоединением откройте водопроводный кран до тех пор, пока из него не потечет чистая вода.



2. Подсоедините водопроводный шланг к машине, привинтив его к специальному водопроводному крану, расположенному в задней верхней части справа (см. схему).

3. Проверьте, чтобы водопроводный шланг не был заломлен или сжат.

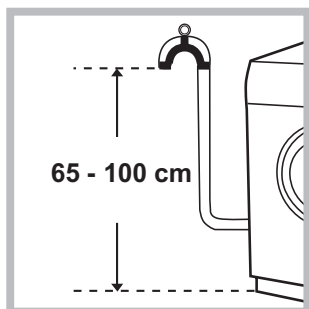
! Водопроводное давление в кране должно быть в пределах значений, указанных в таблице Технические данные (см. страницу рядом).

! Если длина водопроводного шланга будет недостаточной, следует обратиться в специализированный магазин или к уполномоченному сантехнику.

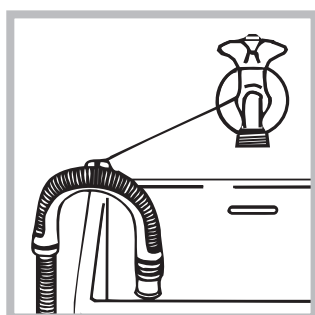
! Никогда не пользуйтесь б/у шлангами.

! Используйте шланги, прилагающиеся к машине.

### Присоединение сливного шланга



Подсоедините сливной шланг, не сгибая его, к сливному трубопроводу или к настенному сливу, расположенному на высоте 65 – 100 см от пола.



или поместите конец шланга в раковину или в ванну, прикрепив прилагающуюся направляющую к крану (см. схему). Свободный конец сливного шланга не должен быть погружен в воду.

! Не рекомендуется использовать удлинительные шланги. При необходимости удлинение должно иметь такой же диаметр, что и оригинальный шланг, и его длина не должна превышать 150 см.

### Электрическое подключение

Перед подсоединением штепсельной вилки изделия к сетевой розетке необходимо проверить следующее:

- сетевая розетка должна быть заземлена и соответствовать нормативам;
- сетевая розетка должна быть рассчитана на максимальную мощность стиральной машины, указанную в таблице Технические данные (см. таблицу сбоку);
- напряжение электропитания должно соответствовать значениям, указанным в таблице Технические данные (см. таблицу сбоку);
- сетевая розетка должна быть совместимой со штепсельной вилкой стиральной машины. В противном случае необходимо заменить сетевую розетку или штепсельную вилку.

! Запрещается устанавливать стиральную машину на улице, даже под навесом, так как является опасным подвергать ее воздействию дождя и грозы.

! Стиральная машина должна быть расположена таким образом, чтобы доступ к сетевой розетке оставался свободным.

! Не используйте удлинители и тройники.

! Сетевой кабель изделия не должен быть согнут или сжат.

! Замена сетевого кабеля может осуществляться только уполномоченными техниками.

Внимание! Компания-производитель снимает с себя всякую ответственность в случае несоблюдения вышеописанных правил.

### Первый цикл стирки

По завершении установки, перед началом эксплуатации необходимо произвести один цикл стирки со стиральным веществом, но без белья, по программе **2**.

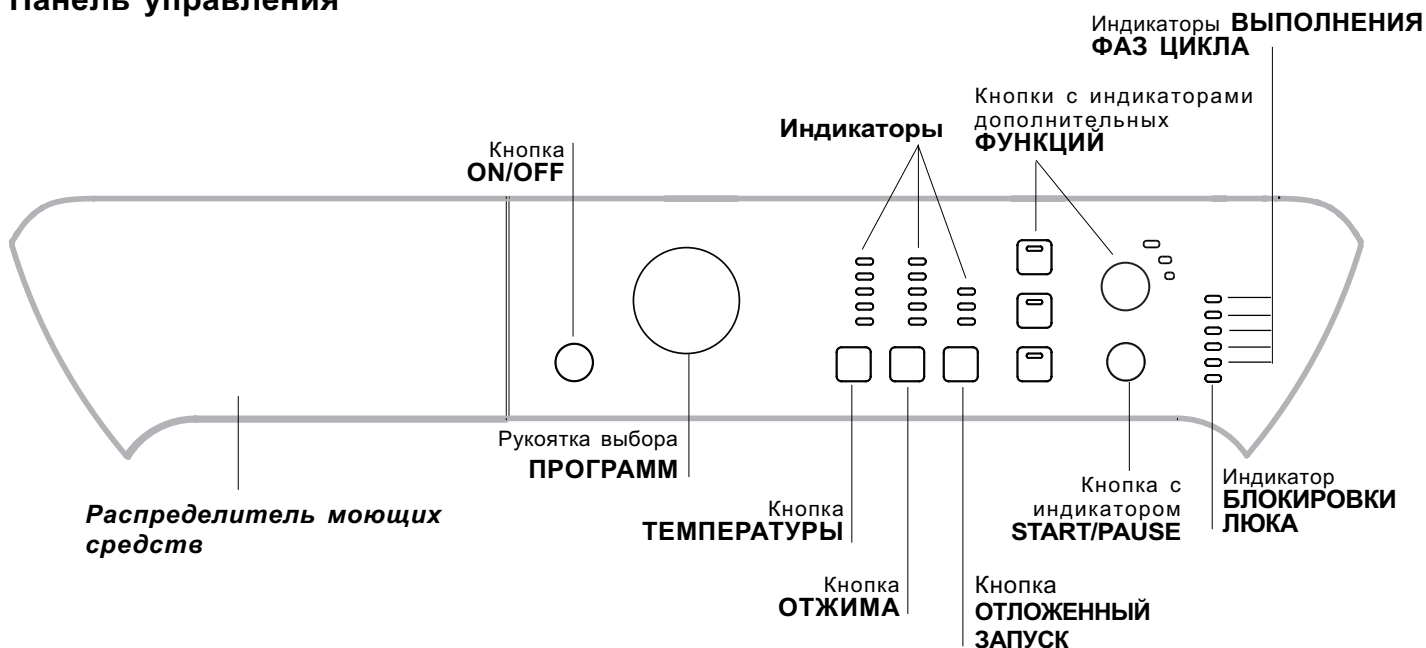
### Технические характеристики

<b>Модель</b>	PWC 7105 W
<b>Размеры</b>	ширина 59,5 см высота 85 см глубина 55 см
<b>Загрузка</b>	1 - 7 кг
<b>Электрические параметры</b>	смотрите паспортную табличку с техническими характеристиками на машине
<b>Гидравлические параметры</b>	max давление 1 Мпа (10 бар) min давление 0,05 Мпа (0,5 бар) объем барабана 52 л
<b>Скорость отжима</b>	до 1000 об/мин
<b>Контрольные программы согласно нормативу EN 60456</b>	программа 2; температура 60°С; при загрузке до 7 кг.
	Машина соответствует следующим Директивам Европейского Экономического сообщества: - 89/336 /ЕЕС от 03.05.89 (электромагнитной совместимости) и последующие модификации - 2002/96/CE - 2006/95/CE (низкого напряжения)
	

# Описание стиральной машины и порядка запуска программы

CIS

## Панель управления



**Распределитель моющих средств:** для загрузки стиральных веществ и добавок (см. «Моющие средства и типы белья»).

Кнопка **ON/OFF**: служит для включения и выключения стиральной машины.

Рукоятка выбора **ПРОГРАММ**: служит для выбора программ. В процессе выполнения программы рукоятка не вращается.

Кнопки с индикаторами дополнительных **ФУНКЦИЙ**: служат для выбора имеющихся дополнительных функций. Индикатор, соответствующий выбранной функции, останется включенным.

Кнопка **ОТЖИМА**: служит для выбора скорости отжима или для его исключения (см. «Персонализированные настройки»).

Кнопка **ТЕМПЕРАТУРЫ**: служит для настройки температуры или для стирки в холодной воде (см. «Персонализированные настройки»).

Кнопка **ОТЛОЖЕННЫЙ ЗАПУСК**:  
Задерживает запуск машины вплоть до 9 часов. Нажмите кнопку несколько раз вплоть до включения индикатора, соответствующего нужному значению задержки. При четвертом нажатии кнопки эта функция отключается.  
**ПРИМЕЧАНИЕ:** Нажав на кнопку **START/PAUSE**, можно изменить значение задержки только в


сторону уменьшения вплоть до запуска выбранной программы.

! Эта функция совместима с любой программой.

индикаторы **ВЫПОЛНЕНИЯ ФАЗ ЦИКЛА**: показывают последовательность выполнения программы стирки. Включенный индикатор соответствует текущей фазе.

Индикатор **БЛОКИРОВКИ ЛЮКА**: показывает, можно ли открыть люк (см. страницу сбоку).

Кнопка с индикатором **START/PAUSE**: служит для запуска или для временного прерывания программы.

**ПРИМЕЧАНИЕ:** для временного прерывания текущего цикла стирки нажмите эту кнопку. Соответствующий индикатор замигает оранжевым цветом, а индикатор текущей фазы стирки будет гореть, не мигая. Если индикатор **БЛОКИРОВКИ ЛЮКА**  погас, можно открыть люк.

Для возобновления цикла стирки с момента, когда он был прерван, вновь нажмите **START/PAUSE**.

### Режим ожидания

Настоящая стиральная машина отвечает требованиям новых нормативов по экономии электроэнергии, укомплектована системой автоматического отключения (режим сохранения энергии), включающейся через несколько минут простоя машины. Нажмите один раз кнопку **ON/OFF** и подождите, пока машина вновь включится.

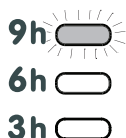


## Индикаторы

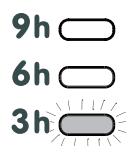
Индикаторы сообщают пользователю важные сведения. Значение индикаторов:

### Таймер отсрочки

Если была включена функция «Таймер отсрочки» (см. «Персонализированные настройки»), после запуска программы начнет мигать индикатор, соответствующий заданному времени задержки:





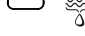

По мере отсчета времени будет показываться остающееся время вместе с миганием соответствующего индикатора.



По истечении выделенной задержки активизируется заданная программа.

### Индикаторы текущей фазы цикла:

После выбора и запуска цикла стирки индикаторы будут загораться один за другим, показывая последовательность выполнения программы:

Стирка	
Полоскание	
Отжим	
Слив	
Конец цикла	

### Кнопки дополнительных функций и соответствующие индикаторы

При выборе функции загорается соответствующая кнопка.

Если выбранная функция является несовместимой с заданной программой, соответствующий индикатор будет мигать, и такая функция не будет включена.

Если выбранная функция является несовместимой с другой, ранее заданной дополнительной функцией, будет мигать индикатор первой выбранной функции, и будет включена только вторая дополнительная функция, индикатор включенной функции загорится.


**Примечание:** если активирована дополнительная функция SMART, любая другая несовместимая функция не может быть активирована.

### Индикатор блокировки люка:

Включенный индикатор означает, что люк заблокирован во избежание его случайного открытия. Для того чтобы открыть его, необходимо дождаться, когда индикатор погаснет. Если требуется открыть люк после пуска цикла, нажмите кнопку START/PAUSE. Когда погаснет индикатор БЛОКИРОВКА ЛЮКА, можно открыть люк.

**!** Частое мигание индикаторов «Дополнительные функции» и индикатора START/PAUSE, а также включение индикатора «текущая фаза» и «ЛЮК ЗАБЛОКИРОВАН» означает аномалию (см. «Поиск неисправностей и методы их устранения»).

## Порядок запуска программы

1. Включите машину при помощи кнопки ВКЛ./ВЫКЛ. Все индикаторы загорятся на несколько секунд, затем останутся включенными индикаторы настроек выбранной программы, и будет мигать индикатор START/PAUSE.
2. Загрузите белье в барабан и закройте люк.
3. Задайте рукояткой ПРОГРАММА нужную программу.
4. Задайте температуру стирки (см. «Персонализированные настройки»).
5. Задайте скорость отжима (см. «Персонализированные настройки»).
6. Поместите моющие средства и добавки (см. «Стиральные вещества и типы белья»).
7. Включите нужные дополнительные функции.
8. Запустите программу при помощи кнопки START/PAUSE, соответствующий индикатор загорится синим цветом. Для отмены заданного цикла переключите машину в режим паузы при помощи кнопки START/PAUSE и выберите новый цикл.
9. По завершении программы загорится индикатор END. Люк можно открывать после выключения индикатора БЛОКИРОВКИ ЛЮКА . Выньте белье и оставьте люк полуоткрытым для сушки барабана. Выключите стиральную машину, нажав кнопку ON/OFF.

# Программы

CIS

Таблица программ

Программы	Описание программы	Макс. темп. (°C)	Макс. скорость (об./мин.)	Стиральные средства				Макс. загрузка (кг)	Продолжить цикла
				Предварительная стирка	Стирка	Отбеливатель	Ополаскиватель		
<b>Smart программы</b>									
1	<b>ХЛОПОК:</b> стирка с замачиванием	90°	1000	●	●	-	●	7	171
2	<b>ХЛОПОК:</b> сильнозагрязненное белое бельё.	90°	1000	-	●	●	●	7	152
2	<b>ХЛОПОК (1):</b> сильнозагрязнённое белое и прочно окрашенное цветное бельё.	60°	1000	-	●	●	●	7	153
2	<b>ХЛОПОК (2):</b> сильнозагрязнённое белое и деликатное цветное бельё.	40°	1000	-	●	●	●	7	147
3	<b>ХЛОПОК:</b> сильнозагрязнённое белое и прочно окрашенное цветное бельё.	60°	1000	-	●	●	●	7	130
4	<b>ХЛОПОК ЦВЕТНОЙ (3):</b> слабозагрязнённое белое и деликатное цветное бельё.	40°	1000	-	●	●	●	7	92
5	<b>СИНТЕТИКА:</b> сильнозагрязнённое прочно окрашенное цветное бельё.	60°	800	-	●	●	●	3	80
6	<b>СИНТЕТИКА:</b> слабозагрязнённое прочно окрашенное цветное бельё.	40°	800	-	●	●	●	3	74
7	<b>Джинсы</b>	40°	800	-	●	-	●	3,5	80
8	<b>Рубашки</b>	40°	600	-	●	●	●	2	70
9	<b>Экспресс 30':</b> для быстрого освежения слабозагрязнённого белья (не для шерсти, шелка и изделия ручной стирки).	холодная вода	800	-	●	-	●	3	30
<b>Специальные программы</b>									
10	<b>ШЕРСТЬ:</b> для шерсти, кашемира и т.д.	40°	600	-	●	-	●	1,5	55
11	<b>ШЕЛК/ЗАНАВЕСКИ:</b> для изделий из шелка, вискозы и нижнего белья.	30°	0	-	●	-	●	1	55
12	<b>Спортивная обувь</b>	30°	600	-	●	-	●	(макс. 2 пары.)	50
13	<b>Верхняя одежда</b>	30°	400	-	●	-	-	2	46
<b>Дополнительные программы</b>									
	Полоскание	-	1000	-	-	●	●	7	36
	Отжим	-	1000	-	-	-	-	7	16
	Слив без отжима	-	0	-	-	-	-	7	2

Для всех институтов тестирования:

- 1) Программы управления в соответствии с Директивой EN 60456: задайте программу 2 с температурой 60°C.
- 2) Длинная программа для х/б белья: задайте программу 2 с температурой 40°C.
- 3) Короткая программа для х/б белья: задайте программу 4 с температурой 40°C.

## Регулировка температуры

Настройка температуры стирки производится при помощи регулятора ТЕМПЕРАТУРЫ (см. *Таблицу программ*). Значение температуры может быть уменьшено вплоть до стирки в холодной воде (❄).

Машина автоматически не допускает выбор температуры, превышающей максимальное значение, предусмотренное для каждой программы.

## Выбор скорости отжима

Выбор скорости отжима выбранной программы производится при помощи регулятора скорости ОТЖИМ. Для разных программ предусматривается разная максимальная скорость отжима:

Программы	Максимальная скорость отжима
Хлопок	1000 оборотов в минуту
Синтетические ткани	800 оборотов в минуту
Шерсть	600 оборотов в минуту
Шелк	без отжима

Скорость отжима может быть уменьшена, или же отжим может быть совсем исключен, повернув регулятор в положение .

Машина автоматически не допускает выбор скорости отжима, превышающей максимальную скорость, предусмотренную для каждой программы.

## Дополнительные функции

Различные функции стирки машины позволяют достичь желаемой чистоты и белизны вашего белья.

Порядок выбора функций:

1. нажмите кнопку нужной вам функции;
2. включение соответствующего индикатора означает, что функция включена.

Примечание: Частое мигание индикатора означает, что данная функция не может быть выбрана для заданной программы.

### SMART

Дополнительная функция SMART позволяет оптимизировать результат стирки в зависимости от объема белья, загруженного в машину, сокращая продолжительность стирки, а также расход воды и электроэнергии. Кроме того при помощи кнопки SMART можно выбрать нужный Вам режим стирки.

**Intensive:** интенсивный режим стирки для белья с сильным загрязнением.

**4 You:** стандартный режим стирки для белья с обычным загрязнением.

**Fast:** короткий режим стирки для белья с незначительным загрязнением.

! Эта функция может быть активирована только для программ 1, 2, 3, 4, 5, 6 (для всех трех уровней) и 7, 8, 9 (уровни 4 You и Fast).



### Дополнительное полоскание

При выборе этой функции повышается эффективность ополаскивания, обеспечивая максимальное удаление стирального вещества. Эта функция особенно удобна для людей с кожей, чувствительной к стиральным веществам.

! Не может быть активирована в программах 9, , .

### Легкая глажка

При выборе этой функции циклы стирки и отжима изменяются таким образом, чтобы сократить сминаемость белья. По завершении цикла машина производит медленное вращение барабана. Индикатор функции "Легкая глажка" и индикатор START/PAUSE мигают (первый синим, второй оранжевым цветом). Для завершения цикла нажмите кнопку START/PAUSE или кнопку "Легкая глажка". При выборе программы 11-13 машина завершает цикл без слива воды, и индикатор функции "Легкая глажка" и индикатор START/PAUSE мигают. Для слива воды и выгрузки белья необходимо нажать кнопку START/PAUSE или кнопку "Легкая глажка".

! Не может быть активирована в программах 9, 10, 12, , .

### Отбеливание

Цикл отбеливания для удаления наиболее стойких загрязнений. Налейте отбеливатель в дополнительную вставку 4 (см. "Отбеливание").

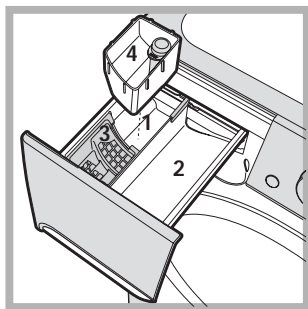
! Эта функция несовместима с программами 1, 7, 9, 10, 11, 12, 13, , .

# Моющие средства и типы белья

## Распределитель моющих средств

Хороший результат стирки зависит также от правильной дозировки стирального вещества: избыток стирального вещества не гарантирует более эффективную стирку, напротив, способствует образованию налетов внутри стиральной машины и загрязнению окружающей среды.

! Не используйте моющие средства для ручной стирки, так как они образуют слишком много пены.



Выньте распределитель и поместите в него моющее средство или добавку в следующем порядке.

### Отделение 1: моющее средство для предварительной стирки (порошок)

Перед загрузкой стирального порошка убедитесь, что отделение

4 для отбеливателя в нем не установлено.

### Отделение 2: моющее средство для стирки (порошок или жидкое)

Жидкое средство для стирки заливается непосредственно перед запуском машины.

### Отделение 3: Добавки (смягчители, ароматизаторы и пр.)

Не заполняйте отделение 3 для ополаскивателей выше решетки.

### Дополнительное отделение 4:

Отбеливатель и деликатный отбеливатель.

## Отбеливание

! Обычный отбеливатель применяют при стирке прочных белых тканей; деликатный отбеливатель можно использовать для цветных, синтетических и шерстяных тканей. Лоток 4 для отбеливателя вставляется в отделение 1 распределителя моющих средств. Не заполняйте лоток 4 выше отметки **max**. Для осуществления только отбеливания налейте отбеливатель в дополнительную вставку 4, выберите программу "Полоскание" и задействуйте функцию "Отбеливание". Для отбеливания в процессе стирки добавьте стиральный порошок и смягчитель, выберите нужную программу и задействуйте функцию «Отбеливание».

Использование дополнительной вставки 4 исключает возможность применения предварительной стирки.

## Подготовка белья

- Разделите белье по следующим признакам:
  - тип ткани / обозначения на этикетке.
  - цвет: отделите цветное белье от белого.
- Выньте из карманов все предметы и проверьте пуговицы.
- Не превышайте максимальную загрузку барабана, указанную для сухого белья:
  - Прочные ткани: макс. 7 кг
  - Синтетические ткани: макс. 3 кг
  - Деликатные ткани: макс. 2 кг
  - Шерсть: макс. 1,5 кг
  - Шелк: макс. 1 кг

## Сколько весит белье?

- 1 простыня 400-500 гр.
- 1 наволочка 150-200 гр.
- 1 скатерть 400-500 гр.
- 1 халат 900-1200 гр.
- 1 полотенце 150-250 гр.

## Изделия, требующие деликатной стирки

**Джинсы:** выверните наизнанку изделия перед стиркой и используйте жидкое моющее средство. Используйте программу 7.

**Рубашки:** используйте специальную программу 8 для стирки рубашек из разных тканей и разных расцветок. Это обеспечит максимальную сохранность вещей и сократит их сминаемость.

**Зкспресс 15'** (программа 9): предназначена для быстрой стирки слабозагрязненного белья цикл длится всего 15 минут, что позволяет сэкономить время и электроэнергию. По этой программе (9, 30°C) можно стирать вместе белье из разных тканей (за исключением шерсти и шелка) с максимальной загрузкой 1,5 кг.

**Шерсть:** в режиме программы 10 стиральной машины можно выстирать любые шерстяные изделия, в том числе изделия с этикеткой "только ручная стирка". Для достижения лучших результатов используйте специальное моющее средство и не превышайте 1,5 кг загрузки стирки.

**Шелк:** используйте специальную программу 11 для стирки всех шелковых вещей. Рекомендуется использовать специальное стиральное вещество для деликатных тканей.

**Занавески:** рекомендуется свернуть их и поместить в прилагающийся мешок. Используйте программу 11.

**Спортивная обувь** (программа 12): разработана для стирки спортивной обуви; для достижения лучших результатов не рекомендуем стирать более 2 пар обуви за один раз.

**Верхняя одежда** (программа 13) разработана для стирки водоотталкивающих тканей и ветровок (напр., goretex, полиэстер, нейлон); для достижения лучших результатов используйте жидкие моющие средства в соответствующей дозировке для полузагрузки; обработайте предварительно манжеты, воротники и участки с пятнами; не используйте смягчитель или моющие средства со смягчителем. Эта программа не предназначена для стирки пуховиков.

## Система балансировки белья

Перед каждым отжимом во избежание чрезмерных вибраций и для равномерного распределения белья в барабане машина производит вращения со скоростью, слегка превышающей скорость стирки. Если после нескольких попыток белье не будет правильно сбалансировано, машина произведет отжим на меньшей скорости по сравнению с предусмотренной.

! Стиральная машина спроектирована и изготовлена в соответствии с международными нормативами по безопасности. Необходимо внимательно прочитать настоящие предупреждения, составленные в целях вашей безопасности.

## Общие требования к безопасности

- После использования машины **обязательно** отключайте ее от сети переменного тока и закрывайте водопроводный кран.
- Данное изделие предназначено исключительно для домашнего использования.
- Стиральной машиной должны пользоваться только взрослые лица, соблюдающие инструкции, приведенные в данном техническом руководстве.
- Не прикасайтесь к изделию влажными руками, босиком или во влажной одежде.
- Не тяните за сетевой кабель для отсоединения изделия из электро розетки, возьмитесь за вилку рукой.
- Не открывайте распределитель порошка в процессе стирки.
- Избегайте контактов со сливаемой водой, так как она может быть очень горячей.
- Категорически запрещается открывать люк силой: это может привести к повреждению защитного механизма, предохраняющего от случайного открытия машины.
- В случае неисправности категорически запрещается открывать внутренние механизмы изделия с целью их самостоятельного ремонта.
- Избегайте контактов детей с работающей стиральной машиной.
- В процессе стирки люк стиральной машины может нагреться.
- При необходимости переместить стиральную машину следует выполнять эту операцию вдвоем или втроем с предельной осторожностью. Никогда не перемещайте машину в одиночку, так как машина очень тяжелая.
- Перед загрузкой в стиральную машину белья проверьте, чтобы барабан был пуст.
- Стиральная машина не предназначена для использования лицами (включая детей) с пониженными физическими, чувственными или умственными способностями или при отсутствии у них жизненного опыта или знаний, если они не находятся под контролем или не проинструктированы об использовании прибора лицом, ответственным за их безопасность. Дети должны находиться под контролем для недопущения игры со стиральной машиной.

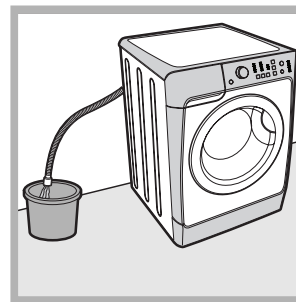
## Утилизация

- Уничтожение упаковочных материалов: соблюдайте местные нормативы с целью повторного использования упаковочных материалов.
- Согласно Европейской Директиве 2002/96/CE касательно утилизации электронных и

электрических электроприборов электроприборы не должны выбрасываться вместе с обычным городским мусором. Выведенные из строя приборы должны собираться отдельно для оптимизации их утилизации и рекуперации составляющих их материалов, а также для безопасности окружающей среды и здоровья. Символ зачеркнутая мусорная корзина, имеющийся на всех приборах, служит напоминанием об их отдельной утилизации. За более подробной информацией о правильной утилизации бытовых электроприборов пользователи могут обратиться в специальную государственную организацию или в магазин.

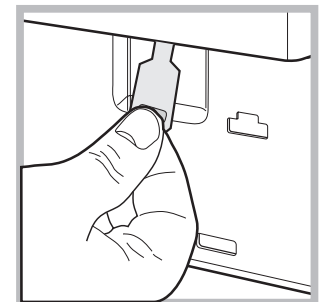
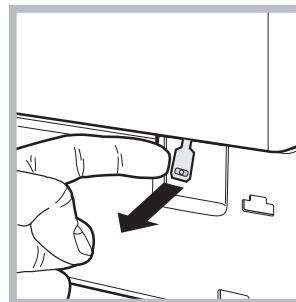
## Аварийное открытие люка

Если по причине отключения электроэнергии невозможно открыть люк машины, чтобы выгрузить чистое белье, действуйте следующим образом:



1. выньте штепсельную вилку машины из электро розетки.
2. проверьте, чтобы уровень воды в машине был ниже отверстия люка. В противном случае слейте излишек воды через сливную трубу в ведро, как показано на схеме.

3. снимите переднюю панель стиральной машины (см. схему ниже).



4. потяните наружу язычок, показанный на схеме, вплоть до освобождения пластикового блокировочного винта. Затем потяните его вниз и одновременно откройте люка.

5. установите на место переднюю панель, проверив перед ее прикреплением к машине, чтобы крюки вошли в соответствующие петли.

# Техническое обслуживание и уход

CIS

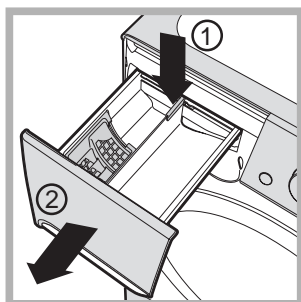
## Отключение воды и электрического тока

- Перекрывайте водопроводный кран после каждой стирки. Таким образом сокращается износ водопроводной системы машины и сокращается риск утечек.
- Выньте штепсельную вилку из электро розетки в процессе чистки и технического обслуживания стиральной машины.

## Уход за стиральной машиной

Для чистки наружных и резиновых частей стиральной машины используйте тряпку, смоченную теплой водой с мылом. Не используйте растворители или абразивные чистящие средства.

## Уход за распределителем моющих средств



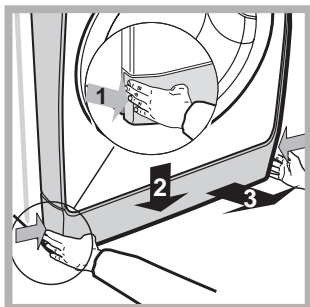
Чтобы вынуть дозатор, нажмите на язычок (1) и вытащите дозатор (2) (см. рисунок). Промойте ячейку под струей воды. Эта операция должна выполняться регулярно.

## Уход за насосом

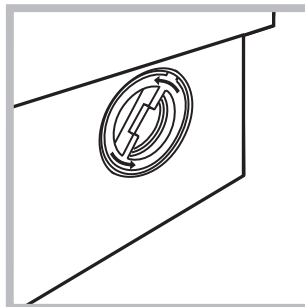
Стиральная машина оснащена самоочищающимся насосом, не нуждающимся в техническом обслуживании. Тем не менее мелкие предметы (монеты, пуговицы) могут упасть за кожух, предохраняющий насос, расположенный в его нижней части.

**!** Проверьте, чтобы цикл стирки завершился, и выньте штепсельную вилку из сетевой розетки.

Для доступа к кожуху:



1. снимите переднюю панель стиральной машины, нажав в центре, затем потяните ее вниз за края и снимите ее (см. схему).



2. отвинтите крышку, повернув ее против часовой стрелки (см. схему): небольшая утечка воды является нормальным явлением;

3. тщательно прочистите внутри кожуха;
4. закрутите крышку на место;
5. установите на место переднюю панель, проверив перед ее прикреплением к машине, чтобы крюки вошли в соответствующие петли.

## Проверка водопроводного шланга

Проверяйте шланг подачи воды не реже одного раза в год. При обнаружении трещин или разрывов шланга замените его: в процессе стирки сильное давление воды в водопроводе может привести к внезапному отсоединению шланга.

**!** Никогда не пользуйтесь б/у шлангами.



Если ваша стиральная машина не работает. Прежде чем обратиться в Авторизованный сервисный центр (см. *Сервисное обслуживание*), проверьте, можно ли устранить неисправность, следуя рекомендациям, приведенным в следующем перечне.

## Неисправности:

**Стиральная машина не включается.**

**Цикл стирки не запускается.**

**Стиральная машина не заливает воду (часто мигает индикатор первой фазы стирки).**

**Машина непрерывно заливает и сливает воду.**

**Стиральная машина не сливает воду и не отжимает белье.**

**Стиральная машина сильно вибрирует в процессе отжима.**

**Утечки воды из стиральной машины.**

**Индикаторы дополнительных функций и индикатор «START/PAUSE» мигают, и один из индикаторов «текущая фаза» и индикатор «БЛОКИРОВКИ ЛЮКА» горят, не мигая.**

**В процессе стирки образуется слишком обильная пена.**

## Возможные причины / Методы устранения:

- Штепсельная вилка не соединена с электро розеткой или отходит и не обеспечивает контакта.
- В доме отключено электричество.

- Люк машины закрыт неплотно.
- Не была нажата кнопка ON/OFF.
- Не была нажата кнопка START/PAUSE.
- Перекрыт водопроводный кран.
- Была запрограммирована задержка запуска цикла.

- Водопроводный шланг не подсоединен к крану.
- Шланг согнут.
- Перекрыт водопроводный кран.
- В доме нет воды.
- Недостаточное водопроводное давление.
- Не была нажата кнопка START/PAUSE.

- Сливной шланг не находится на высоте 65 – 100 см. от пола (см. «Установка»).
  - Конец сливного шланга погружен в воду (см. «Установка»).
  - Настенное сливное отверстие не оснащено вантузом для выпуска воздуха.
- Если после вышеперечисленных проверок неисправность не будет устранена, следует перекрыть водопроводный кран, выключить стиральную машину и обратиться в Центр Сервисного Обслуживания. Если ваша квартира находится на последних этажах здания, могут наблюдаться явления сифона, поэтому стиральная машина производит непрерывный залив и слив воды. Для устранения этой аномалии в продаже имеются специальные клапаны против явления сифона.

- Выбранная программа не предусматривает слив воды: для некоторых программ необходимо включить слив вручную.
- Включена дополнительная функция «Легкая глажка»: для завершения программы нажмите кнопку START/PAUSE («Персонализированные настройки»).
- Сливной шланг согнут (см. «Установка»).
- Засорен сливной трубопровод.

- В момент установки стиральной машины барабан был разблокирован неправильно (см. «Установка»).
- Стиральная машина установлена неровно (см. «Установка»).
- Машина зажата между стены и мебелью (см. «Установка»).

- Плохо прикручен водопроводный шланг (см. «Установка»).
- Засорен распределитель моющего средства (порядок его чистки см. в параграфе «Техническое обслуживание и уход»).
- Сливной шланг плохо закреплен (см. «Установка»).

- Выключите машину и выньте штепсельную вилку из сетевой розетки, подождите 1 минуту и вновь включите машину. Если неисправность не устраняется, обратитесь в Сервисную Службу.

- Моющее средство непригодно для стирки в стиральной машине (на упаковке должно быть указано «для стирки в стиральной машине», «для ручной и машинной стирки» или подобное).
- В распределитель было помещено чрезмерное количество моющего средства.

**Перед тем как обратиться в Авторизованный сервисный центр:**

- Проверьте, нельзя ли устранить неисправность самостоятельно (см. «Неисправности и методы их устранения»);
- Вновь запустите программу для проверки исправности машины;
- В противном случае обратиться в Авторизованный Сервисный Центр по телефонам, указанным в гарантийном таллоне.

**!** Никогда не обращайтесь к неавторизованным сервисным центрам.

**При обращении в Авторизованный сервисный центр необходимо сообщить:**

- тип неисправности;
- модель изделия (Мод.);
- номер тех. паспорта (серийный №).

Серийный номер и модель указаны на паспортной табличке, расположенной на задней панели и спереди люка стиральной машины.