

Instructions for use

WASHING MACHINE

GB

GB

English,1

F

Français,13

PT

Português,25

GR

ΕΛΛΗΝΙΚΑ,37

UK

Українська,49

PWC 81272 W

Contents

Installation, 2-3

Unpacking and levelling
Connecting the electricity and water supplies
The first wash cycle
Technical data

Description of the washing machine and starting a wash cycle, 4-5

Control panel
Indicator lights
Starting a wash cycle

Wash cycles, 6

Table of wash cycles

Personalisation, 7

Setting the temperature
Setting the spin speed
Functions

Detergents and laundry, 8

Detergent dispenser drawer
Preparing the laundry
Garments requiring special care

Precautions and tips, 9

General safety
Load balancing system
Disposal

Care and maintenance, 10

Cutting off the water or electricity supply
Cleaning the washing machine
Cleaning the detergent dispenser drawer
Caring for the door and drum of your appliance
Cleaning the pump
Checking the water inlet hose

Troubleshooting, 11

Service, 12

Installation

GB

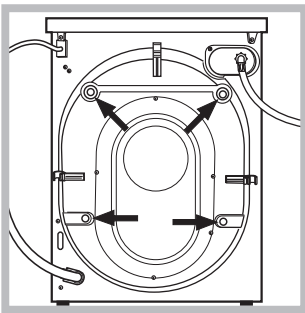
! This instruction manual should be kept in a safe place for future reference. If the washing machine is sold, transferred or moved, make sure that the instruction manual remains with the machine so that the new owner is able to familiarise himself/herself with its operation and features.

! Read these instructions carefully: they contain vital information relating to the safe installation and operation of the appliance.

Unpacking and levelling

Unpacking

1. Remove the washing machine from its packaging.
2. Make sure that the washing machine has not been damaged during the transportation process. If it has been damaged, contact the retailer and do not proceed any further with the installation process.



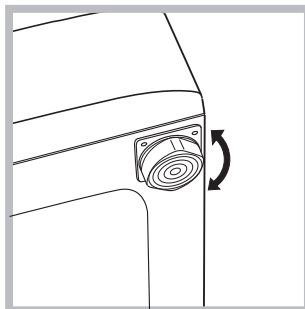
3. Remove the 4 protective screws (used during transportation) and the rubber washer with the corresponding spacer, located on the rear part of the appliance (see figure).

4. Close off the holes using the plastic plugs provided.
5. Keep all the parts in a safe place: you will need them again if the washing machine needs to be moved to another location.

! Packaging materials should not be used as toys for children.

Levelling

1. Install the washing machine on a flat sturdy floor, without resting it up against walls, furniture cabinets or anything else.

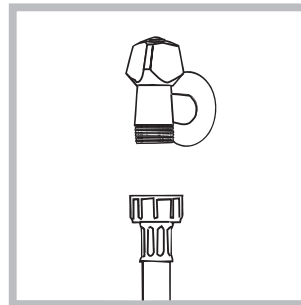


2. If the floor is not perfectly level, compensate for any unevenness by tightening or loosening the adjustable front feet (see figure); the angle of inclination, measured in relation to the worktop, must not exceed 2°.

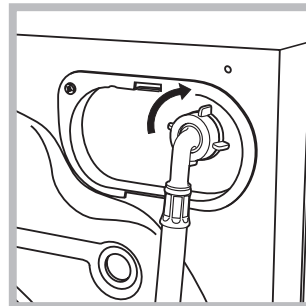
Levelling the machine correctly will provide it with stability, help to avoid vibrations and excessive noise and prevent it from shifting while it is operating. If it is placed on carpet or a rug, adjust the feet in such a way as to allow a sufficient ventilation space underneath the washing machine.

Connecting the electricity and water supplies

Connecting the water inlet hose



1. Connect the supply pipe by screwing it to a cold water tap using a 3/4 gas threaded connection (see figure). Before performing the connection, allow the water to run freely until it is perfectly clear.



2. Connect the inlet hose to the washing machine by screwing it onto the corresponding water inlet of the appliance, which is situated on the top right-hand side of the rear part of the appliance (see figure).

3. Make sure that the hose is not folded over or bent.

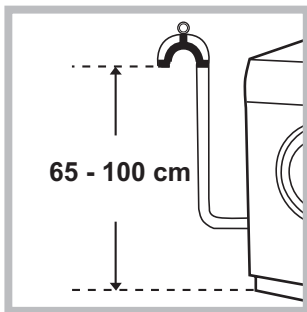
! The water pressure at the tap must fall within the values indicated in the Technical details table (see next page).

! If the inlet hose is not long enough, contact a specialised shop or an authorised technician.

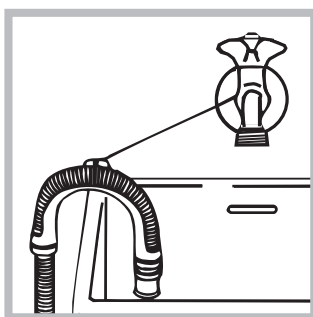
! Never use second-hand hoses.

! Use the ones supplied with the machine.

Connecting the drain hose



Connect the drain hose, without bending it, to a drainage duct or a wall drain located at a height between 65 and 100 cm from the floor;



alternatively, rest it on the side of a washbasin or bathtub, fastening the duct supplied to the tap (see figure). The free end of the hose should not be underwater.

! We advise against the use of hose extensions; if it is absolutely necessary, the extension must have the same diameter as the original hose and must not exceed 150 cm in length.

Electrical connections

Before plugging the appliance into the electricity socket, make sure that:

- the socket is earthed and complies with all applicable laws;
- the socket is able to withstand the maximum power load of the appliance as indicated in the Technical data table (see opposite);
- the power supply voltage falls within the values indicated in the Technical data table (see opposite);
- the socket is compatible with the plug of the washing machine. If this is not the case, replace the socket or the plug.

! The washing machine must not be installed outdoors, even in covered areas. It is extremely dangerous to leave the appliance exposed to rain, storms and other weather conditions.

! When the washing machine has been installed, the electricity socket must be within easy reach.

! Do not use extension cords or multiple sockets.

! The cable should not be bent or compressed.

! The power supply cable must only be replaced by authorised technicians.

Warning! The company shall not be held responsible in the event that these regulations are not respected.

The first wash cycle

Once the appliance has been installed, and before you use it for the first time, run a wash cycle with detergent and no laundry, using the wash cycle 2.

Technical data

Model PWC 81272 W

Dimensions width 59.5 cm
height 85 cm
depth 60 cm

Capacity from 1 to 8 kg

Electrical connections please refer to the technical data plate fixed to the machine

Water connections maximum pressure 1 MPa (10 bar)
minimum pressure 0.05 MPa (0.5 bar)
drum capacity 62 litres

Spin speed up to 1200 rotations per minute

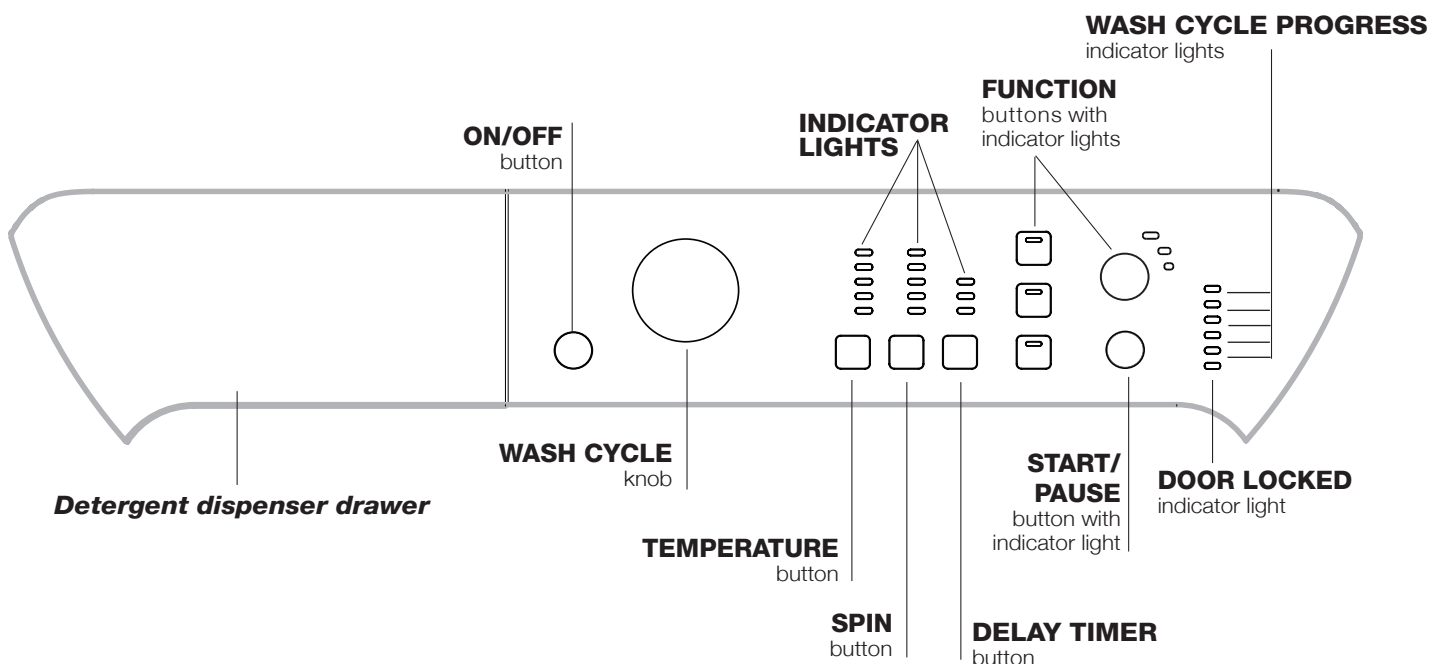
Test Programmes according to 2010/1061 programme 2;
temperature 60°C and 40°C.



This appliance conforms to the following EC Directives:
- 2004/108/EC (Electromagnetic Compatibility)
- 2006/95/EC (Low Voltage)
- 2002/96/EC

Description of the washing machine and starting a wash cycle

Control panel



Detergent dispenser drawer: used to dispense detergents and washing additives (see “Detergents and laundry”).

ON/OFF button: switches the washing machine on and off.

WASH CYCLE knob: programmes the wash cycles. During the wash cycle, the knob does not move.

FUNCTION buttons with indicator light: used to select the available functions. The indicator light corresponding to the selected function will remain lit.

TEMPERATURE button: sets the temperature or the cold wash cycle (see “Personalisation”).

SPIN button: sets the spin speed or exclude the spin cycle completely (see “Personalisation”).

DELAY TIMER button: delays the start of the wash cycle by up to 9 hours.

Press the button repeatedly until the indicator light corresponding to the desired delay time turns on.

When the button is pressed for the fourth time, the option will be deactivated.

N.B.: once the START/PAUSE button has been pressed, the delay time can only be modified by decreasing it until the set programme is launched.


! This option is available on all programmes.

WASH CYCLE PROGRESS indicator lights: used to monitor the progress of the wash cycle.

The illuminated indicator light shows which phase is in progress.

DOOR LOCKED indicator light: indicates whether the door may be opened or not (see next page).

START/PAUSE button with indicator light: starts or temporarily interrupts the wash cycles.

N.B. To pause the wash cycle in progress, press this button; the corresponding indicator light will flash orange, while the indicator light for the current wash cycle phase will remain lit in a fixed manner. If the DOOR LOCKED  indicator light is switched off, the door may be opened (wait approximately 3 minutes).

To start the wash cycle from the point at which it was interrupted, press this button again.

Standby mode

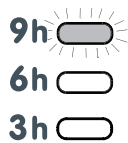
This washing machine, in compliance with new energy saving regulations, is fitted with an automatic standby system which is enabled after about 30 minutes if no activity is detected. Press the ON-OFF button briefly and wait for the machine to start up again.

Indicator lights

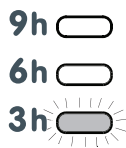
The indicator lights provide important information. This is what they can tell you:

Delayed start

If the DELAY TIMER function has been activated (see “Personalisation”), after the wash cycle has been started the indicator light corresponding to the selected delay period will begin to flash:




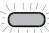

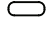
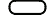
As time passes, the remaining delay will be displayed and the corresponding indicator light will flash:



The set programme will start once the selected time delay has expired.

Wash cycle phase indicator lights

Once the desired wash cycle has been selected and has begun, the indicator lights switch on one by one to indicate which phase of the cycle is currently in progress.


Wash	
Rinse	
Spin	
Drain	
End of wash cycle	 END

Function buttons and corresponding indicator lights

When a function is selected, the corresponding indicator light will illuminate.

If the selected function is not compatible with the programmed wash cycle, the corresponding indicator light will flash and the function will not be activated.

If the selected function is not compatible with another function which has been selected previously, the indicator light corresponding to the first function selected will flash and only the second function will be activated; the indicator light corresponding to the enabled option will remain lit.

Note: if the  function is active, all other non-compatible functions cannot be activated.


Door locked indicator light

When the indicator light is on, the porthole door is locked to prevent it from being opened; make sure the indicator light is off before opening the door (wait approximately 3 minutes).

To open the door during a running wash cycle, press the START/PAUSE button; the door may be opened once the DOOR LOCKED indicator light turns off.

! If the “functions” and START/PAUSE indicator lights flash fast and the “current phase” and DOOR LOCKED indicator lights turn on, there is an anomaly (see “Troubleshooting”).



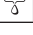
Starting a wash cycle

1. Turn the washing machine on by pressing the ON/OFF button. All the indicator lights will turn on for a few seconds, then only the indicator lights relative to the selected programme settings will remain lit and the START/PAUSE indicator light will flash.
2. Load the laundry and close the door.
3. Set the WASH CYCLE knob to the desired programme.
4. Set the washing temperature (see “Personalisation”).
5. Set the spin speed (see “Personalisation”).
6. Measure out the detergent and washing additives (see “Detergents and laundry”).
7. Select the desired functions.
8. Start the wash cycle by pressing the START/PAUSE button and the corresponding indicator light will remain lit in a fixed manner in blu. To cancel the set wash cycle, pause the machine by pressing the START/PAUSE button and select a new cycle.
9. At the end of the wash cycle the **END** indicator light will switch on. The door can be opened once the DOOR LOCK  indicator light turns off (wait approximately 3 minutes). Take out your laundry and leave the appliance door ajar to make sure the drum dries completely. Switch the washing machine off by pressing the ON/OFF button.

Wash cycles

GB

Table of wash cycles

Wash cycles	Description of the wash cycle	Max. temp. (°C)	Max. speed (rpm)	Detergents				Max. load (kg)	Cycle duration
				Prewash	Main wash	Bleach	Fabric softener		
Daily Programs									
1	Cottons with Prewash: extremely soiled whites.	90°	1200	●	●	-	●	8	190
2	White Cottons: heavily soiled whites.	90°	1200	-	●	●	●	8	175
2	White Cottons (1): heavily soiled whites and resistant colours.	60°	1200	-	●	●	●	8	200
2	White Cottons (1-2): lightly soiled whites and delicate colours.	40°	1200	-	●	●	●	8	160
3	Cottons: heavily soiled whites and resistant colours.	60°	1200	-	●	●	●	8	140
4	Coloured Cottons (3): lightly soiled whites and delicate colours.	40°	1200	-	●	●	●	8	100
5	Synthetics: heavily soiled resistant colours.	60°	800	-	●	●	●	3,5	90
6	Jeans	40°	800	-	●	-	●	4	70
7	Shirts	40°	600	-	●	●	●	2	70
8	Mix-Cool 30°: to refresh lightly soiled garments quickly (not suitable for wool, silk and clothes which require washing by hand).	Cold water	800	-	●	-	●	3	30
Special									
9	Wool: for wool, cashmere, etc.	40°	600	-	●	-	●	2	55
10	Silk/Curtains: for garments in silk and viscose, lingerie.	30°	0	-	●	-	●	2	65
11	Duvets	30°	1000	-	●	-	●	3	120
12	Outwear	30°	600	-	●	-	-	2,5	60
13	Sport Shoes	30°	600	-	●	-	●	Max. 2 pairs	60
Partials									
	Rinse	-	1200	-	-	●	●	8	35
	Spin	-	1200	-	-	-	-	8	15
	Drain	-	0	-	-	-	-	8	2

The length of cycle shown on the display or in this booklet is an estimation only and is calculated assuming standard working conditions. The actual duration can vary according to factors such as water temperature and pressure, the amount of detergent used, the amount and type of load inserted, load balancing and any wash options selected.

For all Test Institutes:

- 1) Test wash cycle in compliance with regulation 2010/1061: set wash cycle 2 with a temperature of 60°C and 40°C.
- 2) Long wash cycle for cottons: set wash cycle 2 with a temperature of 40°C.
- 3) Short wash cycle for cottons: set wash cycle 4 with a temperature of 40°C.

Setting the temperature

Press the TEMPERATURE button to set the wash temperature (see *Table of wash cycles*).

The temperature may be lowered, or even set to a cold wash ❄️.

The washing machine will automatically prevent you from selecting a temperature which is higher than the maximum value set for each wash cycle.

Setting the spin speed

Press the SPIN SPEED button to set the spin speed for the selected wash cycle.

The maximum spin speeds available for each wash cycle are as follows:

Wash cycles	Maximum spin speed
Cottons	1200 rpm
Synthetics	800 rpm
Wool	600 rpm
Silk	drain only

The spin speed may be lowered, or the spin cycle can be excluded altogether by selecting the symbol 🌀.

The washing machine will automatically prevent you from selecting a spin speed which is higher than the maximum speed set for each wash cycle.

Functions

The various wash functions available with this washing machine will help to achieve the desired results, every time.

To activate the functions:

1. Press the button corresponding to the desired function;
2. the function is enabled when the corresponding indicator light is illuminated.

Note: If the indicator light flashes rapidly, this signals that this particular function may not be selected in conjunction with the selected wash cycle.



The “PRIME” technology optimises energy, water and time consumption according to the quantity of garments actually inserted in the machine. Moreover, pressing the 🌀 button allows for selecting the following options:

- **Water:** allows for reducing water consumption without having to renounce impeccable results (recommended for heavily soiled garments).
- **Energy:** automatically selected by “PRIME”, this option reduces energy consumption (recommended for normally soiled garments).
- **Time:** allows for reducing wash cycle duration (recommended for lightly soiled garments).

! This may only be used in conjunction with wash cycles 1, 2, 3, 4, 5 (all three levels) and 6, 7, 8 (- **Energy** and - **Time** levels).

Extra Rinse

By selecting this option, the efficiency of the rinse is increased and optimal detergent removal is guaranteed. It is particularly useful for sensitive skin.

! It cannot be used in conjunction with wash cycles 8, 🌀, 🌀.

Easy iron

By selecting this function, the wash and spin cycles will be modified in order to reduce the formation of creases. At the end of the cycle the washing machine will perform slow rotations of the drum, while the EASY IRON and START/PAUSE indicator lights will flash (blue and orange respectively) and the **END** led will remain lit in a fixed manner. To end the cycle, press the START/PAUSE button or the EASY IRON button. For wash cycles number 10-12, the machine will end the cycle while the laundry is soaking; the EASY IRON and START/PAUSE indicator lights will flash. To drain the water so that the laundry may be removed, press the START/PAUSE button or the EASY IRON button.

! It cannot be used in conjunction with wash cycles 8, 9, 13, 🌀, 🌀.

Stain removal

Bleaching cycle designed to remove the toughest stains. Please remember to pour the bleach into extra compartment 4 (see “Bleach cycle”).

! This function may not be used in conjunction with wash cycles 1, 6, 8, 9, 10, 11, 12, 13, 🌀, 🌀.

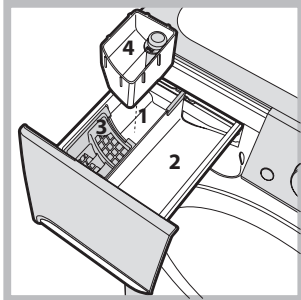
Detergents and laundry

GB

Detergent dispenser drawer

Good washing results also depend on the correct dose of detergent: adding too much detergent will not necessarily result in a more efficient wash, and may in fact cause build up on the inside of your appliance and contribute to environmental pollution.

! Do not use hand washing detergents because these create too much foam.



Open the detergent dispenser drawer and pour in the detergent or washing additive, as follows.

Compartment 1: Pre-wash detergent (powder)

Before pouring in the detergent, make sure that extra compartment 4 has been

removed.

Compartment 2: Detergent for the wash cycle (powder or liquid)

Liquid detergent should only be poured in immediately prior to the start of the wash cycle.


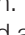

Compartment 3: Additives (fabric softeners, etc.)

The fabric softener should not overflow the grid.

Extra compartment 4: Bleach

Bleach cycle

! **Traditional** bleach should be used on sturdy white fabrics, and **delicate** bleach for coloured fabrics, synthetics and for wool.

This option is particularly useful for the removal of stubborn stains. Place extra compartment 4 (supplied) into compartment 1. When pouring in the bleach, be careful not to exceed the "max" level marked on the central pivot (see figure). To run the bleach cycle on its own, pour the bleach into extra compartment 4, set the "Rinse"  programme and activate the "Stain removal"  option. To bleach during a wash cycle, pour in the detergent and any fabric softener you wish to use, set the desired wash cycle and enable the "Stain removal"  option. The use of extra compartment 4 excludes the "Prewash".

Preparing the laundry

- Divide the laundry according to:
 - the type of fabric/the symbol on the label
 - the colours: separate coloured garments from whites.
- Empty all garment pockets and check the buttons.
- Do not exceed the listed values, which refer to the weight of the laundry when dry:
 - Durable fabrics: max. 8 kg
 - Synthetic fabrics: max. 3,5 kg
 - Delicate fabrics: max. 2 kg
 - Wool: max. 2 kg
 - Silk: max. 2 kg

How much does your laundry weigh?


- 1 sheet 400-500 g
- 1 pillow case 150-200 g
- 1 tablecloth 400-500 g
- 1 bathrobe 900-1200 g
- 1 towel 150-250 g

Garments requiring special care

Jeans: turn the garments inside out before washing and use liquid detergent. Use wash cycle 6.

Shirts: use special wash cycle 7 to wash shirts in various fabrics and colours. It guarantees maximum care is taken of the garments and minimises the formation of creases.

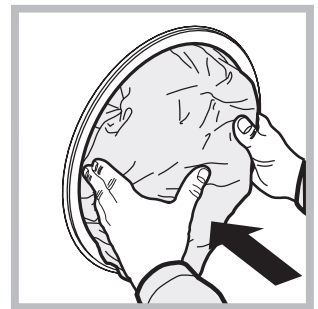
Mix-Cool 30': this wash cycle was designed to wash lightly soiled garments quickly: it lasts just 30 minutes and therefore saves both energy and time. By selecting wash cycle 8, it is possible to wash different fabrics (except for wool and silk items) using a cold cycle, up to a maximum load of 3 kg.

Wool: wash cycle 9 can be used to wash all woollen garments in the machine, even those carrying the "hand wash only"  label. To achieve the best results, use a special detergent and do not exceed the maximum load of 2 kg.

Silk: use special wash cycle 10 to wash all silk garments. We recommend the use of special detergent which has been designed to wash delicate clothes.

Curtains: we recommend you fold the curtains and place them in a pillow case or mesh bag. Use wash cycle 10.

Duvets: to wash double or single duvets (the weight of which should not exceed 3 kg), cushions or clothes padded with goose down such as puffer jackets, use the special wash cycle number 11 "Duvets". We recommend that duvets are placed in the drum with their edges folded inwards (see figure) and that no more than $\frac{3}{4}$ of the total volume of the drum is used. To achieve the best results, we recommend that a liquid detergent is used and placed inside the detergent dispenser drawer.



Outwear (wash cycle 12): is studied for washing water-repellent fabrics and winter jackets (e.g. Gore-Tex, polyester, nylon); for best results, use a liquid detergent and dosage suitable for a half-load; pre-treat necks, cuffs and stains if necessary; do not use softeners or detergents containing softeners. *Stuffed duvets cannot be washed with this programme.*

Sport Shoes (wash cycle 13): is for washing sports shoes; for best results, do not wash more than 2 pairs simultaneously.

! This washing machine was designed and constructed in accordance with international safety regulations. The following information is provided for safety reasons and must therefore be read carefully.

General safety

- This appliance was designed for domestic use only.
- This appliance is not intended for use by persons (including children) with reduced physical, sensory or mental capabilities, or lack of experience and knowledge, unless they have been given supervision or instruction concerning use of the appliance by a person responsible for their safety. Children should be supervised to ensure that they do not play with the appliance.
- The washing machine must only be used by adults, in accordance with the instructions provided in this manual.
- Do not touch the machine when barefoot or with wet or damp hands or feet.
- Do not pull on the power supply cable when unplugging the appliance from the electricity socket. Hold the plug and pull.
- Do not open the detergent dispenser drawer while the machine is in operation.
- Do not touch the drained water as it may reach extremely high temperatures.
- Never force the porthole door. This could damage the safety lock mechanism designed to prevent accidental opening.
- If the appliance breaks down, do not under any circumstances access the internal mechanisms in an attempt to repair it yourself.
- Always keep children well away from the appliance while it is operating.
- The door can become quite hot during the wash cycle.
- If the appliance has to be moved, work in a group of two or three people and handle it with the utmost care. Never try to do this alone, because the appliance is very heavy.
- Before loading laundry into the washing machine, make sure the drum is empty.

Load balancing system

Before every spin cycle, to avoid excessive vibrations and to distribute the load in a uniform manner, the drum rotates continuously at a speed which is slightly greater than the washing rotation speed. If, after several attempts, the load is not balanced correctly, the machine spins at a reduced spin speed. If the load is excessively unbalanced, the washing machine performs the distribution process instead of spinning. To encourage improved load distribution and balance, we recommend small and large garments are mixed in the load.

Disposal

- Disposing of the packaging materials: observe local regulations so that the packaging may be re-used.
- The European Directive 2002/96/EC on Waste Electrical and Electronic Equipment, requires that old household electrical appliances must not be disposed of in the normal unsorted municipal waste stream. Old appliances must be collected separately in order to optimise the recovery and recycling of the materials they contain and reduce the impact on human health and the environment. The crossed out “wheeled bin” symbol on the product reminds you of your obligation, that when you dispose of the appliance it must be separately collected. Consumers should contact their local authority or retailer for information concerning the correct disposal of their old appliance.

Care and maintenance

GB

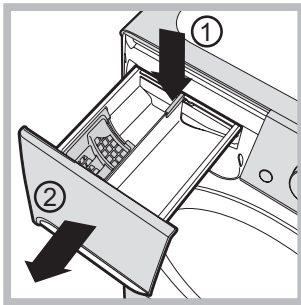
Cutting off the water and electricity supplies

- Turn off the water tap after every wash cycle. This will limit wear on the hydraulic system inside the washing machine and help to prevent leaks.
- Unplug the washing machine when cleaning it and during all maintenance work.

Cleaning the washing machine

The outer parts and rubber components of the appliance can be cleaned using a soft cloth soaked in lukewarm soapy water. Do not use solvents or abrasives.

Cleaning the detergent dispenser drawer



To remove the drawer, press lever (1) and pull the drawer outwards (2) (see figure). Wash it under running water; this procedure should be repeated frequently.

Caring for the door and drum of your appliance

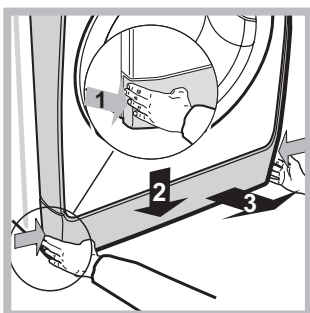
- Always leave the porthole door ajar in order to prevent unpleasant odours from forming.

Cleaning the pump

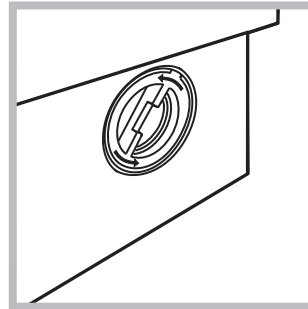
The washing machine is fitted with a self-cleaning pump which does not require any maintenance. Sometimes, small items (such as coins or buttons) may fall into the protective pre-chamber at the base of the pump.

! Make sure the wash cycle has finished and unplug the appliance.

To access the pre-chamber:



1. Take off the cover panel on the front of the machine by first pressing it in the centre and then pushing downwards on both sides until you can remove it (see figures).



2. Unscrew the lid by rotating it anti-clockwise (see figure); a little water may trickle out. This is perfectly normal.

3. Clean the inside thoroughly.
4. Screw the lid back on.
5. Reposition the panel, making sure the hooks are securely in place before you push it onto the appliance.

Checking the water inlet hose

Check the inlet hose at least once a year. If there are any cracks, it should be replaced immediately: during the wash cycles, water pressure is very strong and a cracked hose could easily split open.

! Never use second-hand hoses.

Your washing machine could fail to work. Before contacting the Technical Assistance Centre (see "Assistance"), make sure that the problem cannot be not solved easily using the following list.

Problem:

Possible causes / Solutions:

The washing machine does not switch on.

- The appliance is not plugged into the socket fully, or is not making contact.
- There is no power in the house.

The wash cycle does not start.

- The washing machine door is not closed properly.
- The ON/OFF button has not been pressed.
- The START/PAUSE button has not been pressed.
- The water tap has not been opened.
- A delayed start has been set (see "Personalisation").

The washing machine does not take in water (the indicator light for the first wash cycle stage flashes rapidly).

- The water inlet hose is not connected to the tap.
- The hose is bent.
- The water tap has not been opened.
- There is no water supply in the house.
- The pressure is too low.
- The START/PAUSE button has not been pressed.

The washing machine continuously takes in and drains water.

- The drain hose is not fitted at a height between 65 and 100 cm from the floor (see "Installation").
- The free end of the hose is under water (see "Installation").
- The wall drainage system is not fitted with a breather pipe.

If the problem persists even after these checks, turn off the water tap, switch the appliance off and contact the Assistance Service. If the dwelling is on one of the upper floors of a building, there may be problems relating to water drainage, causing the washing machine to fill with water and drain continuously. Special anti-draining valves are available in shops and help to avoid this inconvenience.

The washing machine does not drain or spin.

- The wash cycle does not include draining: some wash cycles require the drain phase to be started manually.
- The "Easy iron" function is enabled: to complete the wash cycle, press the START/PAUSE button ("Personalisation").
- The drain hose is bent (see "Installation").
- The drainage duct is clogged.

The washing machine vibrates a lot during the spin cycle.

- The drum was not unlocked correctly during installation (see "Installation").
- The washing machine is not level (see "Installation").
- The washing machine is trapped between cabinets and walls (see "Installation").

The washing machine leaks.

- The water inlet hose is not screwed on properly (see "Installation").
- The detergent dispenser drawer is blocked (for cleaning instructions, see "Care and maintenance").
- The drain hose is not fixed properly (see "Installation").

The "Functions" indicator lights and the "start/pause" indicator light flash, while one of the "phase in progress" indicator lights and the "door locked" indicator light will remain lit in a fixed manner.

- Switch off the machine and unplug it, wait for approximately 1 minute and then switch it back on again.
If the problem persists, contact the Technical Assistance Service.

There is too much foam.

- The detergent is not suitable for machine washing (it should display the text "for washing machines" or "hand and machine wash", or the like).
- Too much detergent was used.

Service

GB

Before calling for Assistance:

- Check whether you can solve the problem alone (see “*Troubleshooting*”);
- Restart the programme to check whether the problem has been solved;
- If this is not the case, contact an authorised Technical Assistance Centre using the telephone number provided on the guarantee certificate.

! Always request the assistance of authorised technicians.

Have the following information to hand:

- the type of problem;
- the appliance model (Mod.);
- the serial number (S/N).

This information can be found on the data plate applied to the rear of the washing machine, and can also be found on the front of the appliance by opening the door.

FR

Français

PWC 81272 W

Sommaire

Installation, 14-15

Déballage et mise à niveau
Raccordements eau et électricité
Premier cycle de lavage
Caractéristiques techniques

Description du lave-linge et démarrage d'un programme, 16-17

Bandeau de commandes
Voyants
Démarrage d'un programme

Programmes, 18

Tableau des programmes

Personnalisations, 19

Sélection de la température
Sélection de l'essorage
Options

Produits lessiviels et linge, 20

Tiroir à produits lessiviels
Cycle blanchissage
Triage du linge
Linge ou vêtements particuliers

Précautions et conseils, 21

Sécurité générale
Système d'équilibrage de la charge
Mise au rebut

Entretien et soin, 22

Coupure de l'arrivée d'eau et du courant
Nettoyage du lave-linge
Nettoyage du tiroir à produits lessiviels
Entretien du hublot et du tambour
Nettoyage de la pompe
Contrôle du tuyau d'arrivée de l'eau

Anomalies et remèdes, 23

Assistance, 24

Installation

FR

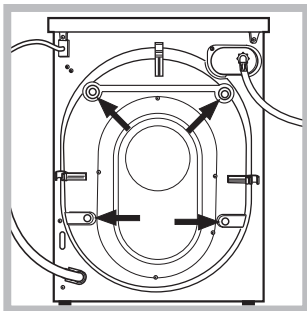
! Conserver ce mode d'emploi pour pouvoir le consulter à tout moment. En cas de vente, de cession ou de déménagement, veiller à ce qu'il suive toujours le lave-linge pour que son nouveau propriétaire soit informé sur son mode de fonctionnement et puisse profiter des conseils correspondants.

! Lire attentivement les instructions: elles fournissent des conseils importants sur l'installation, l'utilisation et la sécurité de l'appareil.

Déballage et mise à niveau

Déballage

1. Déballer le lave-linge.
2. Contrôler que le lave-linge n'a pas été endommagé pendant le transport. S'il est abîmé, ne pas le raccorder et contacter le vendeur.



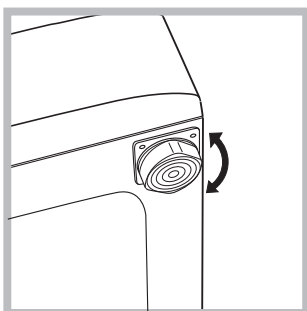
3. Enlever les 4 vis de protection servant au transport, le caoutchouc et la cale, placés dans la partie arrière (voir figure).

4. Boucher les trous à l'aide des bouchons plastique fournis.
5. Conserver toutes ces pièces: il faudra les remonter en cas de transport du lave-linge.

! Les pièces d'emballage ne sont pas des jouets pour enfants.

Mise à niveau

1. Installer le lave-linge sur un sol plat et rigide, sans l'appuyer contre des murs, des meubles ou autre.

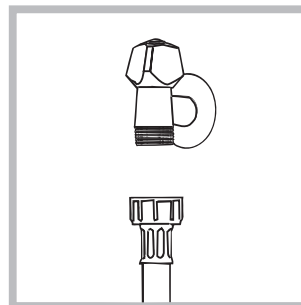


2. Si le sol n'est pas parfaitement horizontal, visser ou dévisser les pieds de réglage avant (voir figure) pour niveler l'appareil; son angle d'inclinaison, mesuré sur le plan de travail, ne doit pas dépasser 2°.

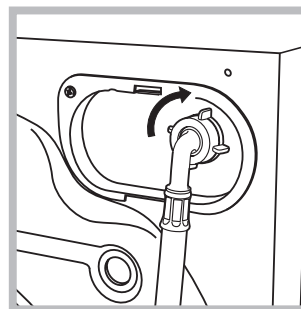
Une bonne mise à niveau garantit la stabilité de l'appareil et évite qu'il y ait des vibrations, du bruit et des déplacements en cours de fonctionnement. Si la machine est posée sur de la moquette ou un tapis, régler les pieds de manière à ce qu'il y ait suffisamment d'espace pour assurer une bonne ventilation.

Raccordements eau et électricité

Raccordement du tuyau d'arrivée de l'eau



1. Reliez le tuyau d'alimentation en le vissant à un robinet d'eau froide à embout fileté 3/4 gaz (voir figure). Faire couler l'eau jusqu'à ce qu'elle soit limpide et sans impuretés avant de raccorder.



2. Raccorder le tuyau d'arrivée de l'eau au lave-linge en le vissant à la prise d'eau prévue, dans la partie arrière en haut à droite (voir figure).

3. Attention à ce que le tuyau ne soit pas plié ou écrasé.

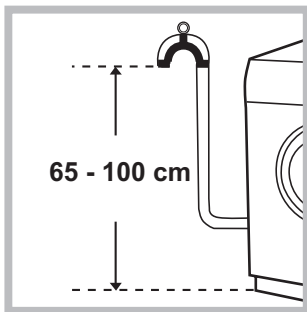
! La pression de l'eau doit être comprise entre les valeurs indiquées dans le tableau des Caractéristiques techniques (voir page ci-contre).

! Si la longueur du tuyau d'alimentation ne suffit pas, s'adresser à un magasin spécialisé ou à un technicien agréé.

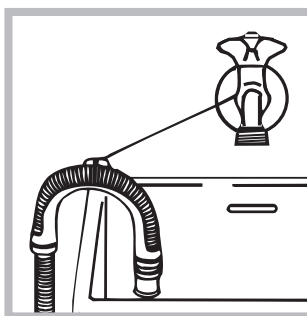
! N'utiliser que des tuyaux neufs.

! Utiliser ceux qui sont fournis avec l'appareil.

Raccordement du tuyau de vidange



Raccorder le tuyau d'évacuation, sans le plier, à un conduit d'évacuation ou à une évacuation murale placés à une distance du sol comprise entre 65 et 100 cm;



ou bien l'accrocher à un évier ou à une baignoire, dans ce cas, fixer le support en plastique fourni avec l'appareil au robinet (voir figure). L'extrémité libre du tuyau d'évacuation ne doit pas être plongée dans l'eau.

! L'utilisation d'un tuyau de rallonge est absolument déconseillée mais si on ne peut faire autrement, il faut absolument qu'il ait le même diamètre que le tuyau original et sa longueur ne doit pas dépasser 150 cm.

Branchement électrique

Avant de brancher la fiche dans la prise de courant, s'assurer que:

- la prise est bien reliée à la terre et est conforme aux réglementations en vigueur;
- la prise est bien apte à supporter la puissance maximale de l'appareil indiquée dans le tableau des Caractéristiques techniques (voir ci-contre);
- la tension d'alimentation est bien comprise entre les valeurs figurant dans le tableau des Caractéristiques techniques (voir ci-contre);
- la prise est bien compatible avec la fiche du lave-linge. Autrement, remplacer la prise ou la fiche.

! Le lave-linge ne doit pas être installé dehors, même à l'abri, car il est très dangereux de le laisser exposé à la pluie et aux orages.

! Après installation du lave-linge, la prise de courant doit être facilement accessible.

! N'utiliser ni rallonges ni prises multiples.

! Le câble ne doit être ni plié ni trop écrasé.

! Le câble d'alimentation ne doit être remplacé que par des techniciens agréés.

Attention! Nous déclinons toute responsabilité en cas de non-respect des normes énumérées ci-dessus.

Premier cycle de lavage

Avant la première mise en service de l'appareil, effectuer un cycle de lavage avec un produit lessiviel mais sans linge et sélectionner le programme 2.

Caractéristiques techniques

Modèle	PWC 81272 W
Dimensions	largeur 59,5 cm hauteur 85 cm profondeur 60 cm
Capacité	de 1 à 8 kg
Raccordements électriques	Voir la plaque signalétique appliquée sur la machine
Raccordements hydrauliques	pression maximale 1 MPa (10 bar) pression minimale 0,05 MPa (0,5 bar) capacité du tambour 62 litres
Vitesse d'essorage	jusqu'à 1200 tours minute
Programmes d'essais selon la directive 2010/1061	Programme 2. Température 60°C et 40°C.



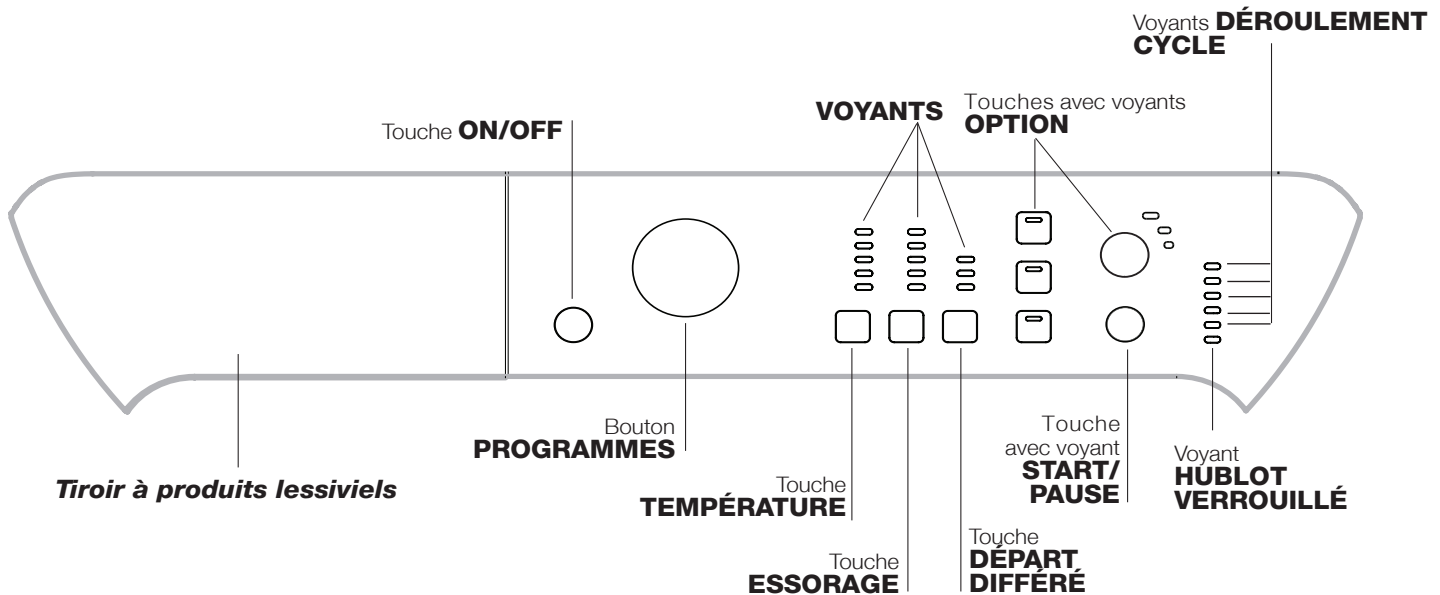
Cet appareil est conforme aux Directives Communautaires suivantes:

- 2004/108/CE (Compatibilité électromagnétique)
- 2006/95/CE (Basse Tension)
- 2002/96/CE

Description du lave-linge et démarrage d'un programme

FR

Bandeau de commandes



Tiroir à produits lessiviels: pour charger les produits lessiviels et les additifs (voir "Produits lessiviels et linge").

Touche **ON/OFF:** pour allumer ou éteindre le lave-linge.

Bouton **PROGRAMMES:** pour sélectionner les programmes. Pendant le programme, le bouton ne tournera pas.

Touches avec voyants **OPTION:** pour sélectionner les options disponibles. Le voyant correspondant à la option sélectionnée restera allumé.

Touche **TEMPÉRATURE:** pour sélectionner la température ou un lavage à froid (voir "Personnalisations").

Touche **ESSORAGE:** pour sélectionner l'essorage ou le supprimer (voir "Personnalisations").

Touche **DÉPART DIFFÉRÉ:** pour différer la mise en marche de votre machine jusqu'à 9 heures. Appuyer plusieurs fois de suite sur la touche jusqu'à ce que le voyant correspondant au retard souhaité s'allume. A la quatrième pression sur la touche, l'option se désactive.

N.B.: Après avoir appuyé sur la touche START/PAUSE, le retard programmé ne peut être modifié que pour le diminuer jusqu'à lancer le programme sélectionné.

! Il est activé avec tous les programmes.

Voyants **DÉROULEMENT CYCLE:** pour suivre le stade d'avancement du programme de lavage. Le voyant allumé indique la phase de lavage en cours.

Voyant **HUBLLOT VERROUILLÉ:** indique si la porte est verrouillée (voir page ci-contre).

Touche avec voyant **START/PAUSE:** pour démarrer les programmes ou les interrompre momentanément.

N.B.: pour effectuer une pause du lavage en cours, appuyer sur cette touche, le voyant correspondant se mettra à clignoter en orange tandis que celui de la phase en cours restera allumé fixe. Si le voyant HUBLLOT VERROUILLÉ est éteint, on peut ouvrir la porte (3 minutes environ). Pour faire redémarrer le lavage exactement de l'endroit où il a été interrompu, appuyer une nouvelle fois sur la touche.

Stand-by

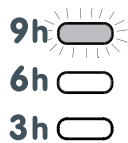
Ce lave-linge, conformément aux nouvelles normes en vigueur dans le domaine de l'économie d'énergie, est équipée d'un système d'extinction automatique (veille) activé après 30 minutes environ d'inutilisation. Appuyez brièvement sur la touche ON/OFF et attendre que la machine soit réactivée.

Voyants

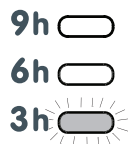
Les voyants fournissent des informations importantes. Voilà ce qu'ils signalent:

Départ différé

Si la option "Départ différé" a été activée (voir "Personnalisations"), le voyant correspondant au temps sélectionné se mettra à clignoter, après avoir lancé le programme:



Au fur et à mesure que le temps passe, le temps restant est affiché avec clignotement du voyant correspondant.



Quand le retard sélectionné touche à sa fin le programme sélectionné démarre.

Voyants phase en cours

Une fois que le cycle de lavage sélectionné a démarré, les voyants s'allument progressivement pour indiquer son stade d'avancement:


Lavage		
Rinçage		
Essorage		
Vidange		
Fin de Lavage		END

Touches options et voyants correspondants

La sélection d'une option entraîne l'allumage du voyant correspondant.

Si la option sélectionnée est incompatible avec le programme sélectionné, le voyant correspondant se met à clignoter et la option n'est pas activée.

Si l'option sélectionnée est incompatible avec une autre option précédemment sélectionnée, le voyant correspondant à la première option se met à clignoter et seule la deuxième option est activée, le voyant de la touche s'allume au fixe.

Remarque: si l'option  est activée, aucune autre option non compatible ne pourra être activée.


Voyant hublot verrouillé

Le voyant allumé indique que le hublot est verrouillé pour en empêcher l'ouverture. Attendre que le voyant cesse de clignoter avant d'ouvrir la porte.

Pour ouvrir le hublot tandis qu'un cycle est en cours, appuyer sur la touche START/PAUSE; si le voyant HUBLOT VERROUILLÉ est éteint, on peut ouvrir le hublot (3 minutes environ).

! Le clignotement rapide des voyants des "Fonctions" et du voyant START/PAUSE en même temps que l'allumage des voyants de la "phase de lavage en cours" et du HUBLOT VERROUILLÉ signalent une anomalie (consulter "Anomalies et remèdes").




Démarrage d'un programme

1. Allumer le lave-linge en appuyant sur la touche ON/OFF. Tous les voyants s'allumeront pendant quelques secondes, ne resteront ensuite allumés que les voyants correspondant aux sélections du programme en cours et le voyant START/PAUSE se mettra à clignoter.
2. Charger le linge et fermer le hublot.
3. Sélectionner à l'aide du bouton PROGRAMMES le programme désiré.
4. Sélectionner la température de lavage (voir "Personnalisations").
5. Sélectionner la vitesse d'essorage (voir "Personnalisations").
6. Verser les produits lessiviels et les additifs (voir "Produits lessiviels et linge").
7. Sélectionner les options désirées.
8. Appuyer sur la touche START/PAUSE pour démarrer le programme, le voyant correspondant bleu restera allumé en fixe. Pour annuler le cycle sélectionné, appuyer sur la touche START/PAUSE pour placer l'appareil en pause et choisir un nouveau cycle.
9. A la fin du programme, le voyant **END** s'allume. Quand le voyant HUBLOT VERROUILLÉ  s'éteint, on peut ouvrir le hublot (3 minutes environ). Sortir le linge et laisser le hublot entrouvert pour faire sécher le tambour. Eteindre le lave-linge en appuyant sur la touche ON/OFF.

Programmes

FR

Tableau des programmes

Programmes	Description du Programme	Temp. max. (°C)	Vitesse maxi (tours minute)	Produit lessiviel et additifs				Charge maxi (Kg)	Durée cycle
				Pré-lavage	Lavage	Javel	Adoucissant		
Programmes Quotidiens									
1	Coton avec pré-lavage: blancs extrêmement sales.	90°	1200	●	●	-	●	8	190
2	Coton blanc: blancs très sales.	90°	1200	-	●	●	●	8	175
2	Coton blanc (1): blancs et couleurs résistantes très sales.	60°	1200	-	●	●	●	8	200
2	Coton blanc (1-2): blancs et couleurs délicates peu sales.	40°	1200	-	●	●	●	8	160
3	Coton: blancs et couleurs résistantes très sales.	60°	1200	-	●	●	●	8	140
4	Coton couleurs (3): blancs peu sales et couleurs délicates.	40°	1200	-	●	●	●	8	100
5	Synthétique: couleurs résistantes très sales.	60°	800	-	●	●	●	3,5	90
6	Jeans	40°	800	-	●	-	●	4	70
7	Chemises	40°	600	-	●	●	●	2	70
8	Mix-Froid 30': pour rafraîchir rapidement du linge peu sale (ne convient pas pour la laine, la soie et le linge à laver à la main).	Eau froid	800	-	●	-	●	3	30
Programmes Spéciaux									
9	Laine: pour laine, cachemire, etc.	40°	600	-	●	-	●	2	55
10	Soie: pour linge en soie, viscose, lingerie.	30°	0	-	●	-	●	2	65
11	Duvets	30°	1000	-	●	-	●	3	120
12	Outwear	30°	600	-	●	-	-	2,5	60
13	Baskets	30°	600	-	●	-	●	Max.2 paires	60
Fonctions									
	Rinçage	-	1200	-	-	●	●	8	35
	Essorage	-	1200	-	-	-	-	8	15
	Vidange	-	0	-	-	-	-	8	2

La durée du cycle indiquée sur l'écran ou dans la notice représente une estimation calculée dans des conditions standard. Le temps effectif peut varier en fonction de nombreux facteurs tels que : température et pression de l'eau en entrée, température ambiante, quantité de lessive, quantité et type de charge, équilibrage de la charge, options supplémentaires sélectionnées.

Pour tous les instituts qui effectuent ces tests :

- 1) Programme de contrôle selon la norme 2010/1061: sélectionner le programme 2 à 60°C et à 40°C.
- 2) Programme coton long: sélectionner le programme 2 et une température de 40°C.
- 3) Programme coton court: sélectionner le programme 4 et une température de 40°C.

Sélection de la température

Appuyer sur la touche TEMPÉRATURE pour sélectionner la température de lavage (voir *Tableau des programmes*).

La température peut être abaissée jusqu'au lavage à froid (❄️).

La machine interdira automatiquement toute sélection d'une température supérieure à la température maximale prévue pour chaque programme.

Sélection de l'essorage

Appuyer sur la touche ESSORAGE pour sélectionner la vitesse d'essorage du programme sélectionné.

Les vitesses maximales prévues pour les programmes sont:

Programmes	Vitesse maximale
Coton	1200 tours/minute
Synthétiques	800 tours/minute
Laine	600 tours/minute
Soie	vidange seule

La vitesse d'essorage peut être réduite ou l'essorage supprimé en sélectionnant le symbole (🌀).

La machine interdira automatiquement tout essorage à une vitesse supérieure à la vitesse maximale prévue pour chaque programme.

Options

Les différentes options de lavage prévues par le lave-linge permettent d'obtenir la propreté et le blanc souhaités.

Pour activer les options:

1. appuyer sur la touche correspondant à la option désirée;
2. l'allumage du voyant correspondant signale que la option est activée.

Remarque: Le clignotement rapide du voyant signale que la option correspondante n'est pas disponible pour le programme sélectionné.



La technologie de «PRIME» ajuste les consommations d'eau, d'électricité et la durée de lavage en fonction de la charge effective de linge.

Une pression sur la touche (🌀) permet en outre de sélectionner l'option:

- **Water (Eau):** pour réduire la consommation d'eau sans pour autant renoncer à des résultats impeccables (conseillée pour du linge très sale).
- **Energy (Énergie):** cette option, sélectionnée en automatique par «PRIME», réduit la consommation d'électricité (conseillée pour du linge normalement sale).
- **Time (Temps):** pour réduire la durée de lavage (conseillée pour du linge peu sale).

! Il n'est activable que sur les programmes 1, 2, 3, 4, 5 (les trois niveaux) et 6, 7, 8 (niveaux - Energy et - Time).

Rinçage Plus

La sélection de cette option permet d'augmenter l'efficacité du rinçage et d'éliminer totalement toute trace de lessive. Elle est très utile en cas de peaux particulièrement sensibles.

! Elle n'est pas activable sur les programmes 8, (🌀), (❄️).

Repassage facile

En cas de sélection de cette option, le lavage et l'essorage seront dûment modifiés pour réduire le froissement. En fin de cycle, le lave-linge fait tourner le tambour lentement, le voyant de l'option REPASSAGE FACILE et celui de START/PAUSE se mettent à clignoter (le premier est bleu, le deuxième est ambre). Pour compléter le cycle, il faut appuyer sur la touche START/PAUSE ou sur la touche REPASSAGE FACILE. Pour les programmes 10-12 l'appareil arrive au bout du cycle en laissant le linge tremper, le voyant REPASSAGE FACILE et celui de START/PAUSE se mettent à clignoter. Pour vidanger l'eau et pouvoir sortir le linge, il faut appuyer sur la touche START/PAUSE ou sur la touche REPASSAGE FACILE.

! Elle n'est pas activable sur les programmes 8, 9, 13, (🌀), (❄️).

Anti-tâches

Cycle de anti-tâches conseillé pour l'élimination de taches très résistantes. N'oubliez pas de verser l'eau de Javel dans le bac supplémentaire 4 (voir "Cycle blanchissage").

! Elle n'est pas activable sur les programmes 1, 6, 8, 9, 10, 11, 12, 13, (🌀), (❄️).

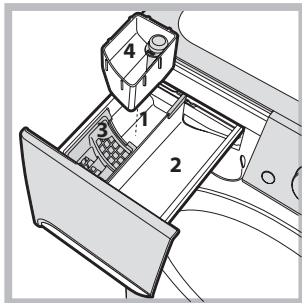
Produits lessiviels et linge

FR

Tiroir à produits lessiviels

Un bon résultat de lavage dépend aussi d'un bon dosage de produit lessiviel: un excès de lessive ne lave pas mieux, il incruste l'intérieur du lave-linge et pollue l'environnement.

! Ne pas utiliser de lessives pour lavage à la main, elles moussent trop.



Sortir le tiroir à produits lessiviels et verser la lessive ou l'additif comme suit.

Bac 1 : Lessive pré-lavage (en poudre)

Avant d'introduire la lessive, s'assurer que le bac supplémentaire 4 n'est pas présent.

Bac 2 : Lessive lavage (en poudre ou liquide)

Verser la lessive liquide juste avant la mise en marche.

Bac 3 : Additifs (assouplissant, etc.)

L'assouplissant ne doit pas déborder de la grille.

Bac supplémentaire 4 : Javel

! N'utilisez pas de lessives pour lavage à la main, elles génèrent trop de mousse.

Cycle blanchissage

! N'utilisez de l'eau de Javel traditionnelle que pour les tissus blancs résistants et des détachants délicats pour les couleurs, les synthétiques et la laine.

Montez le bac supplémentaire 4 fourni avec l'appareil à l'intérieur du bac 1. Lorsque vous versez l'eau de Javel, attention à ne pas dépasser le niveau "max" indiqué sur le pivot central (voir figure). Pour blanchir uniquement, versez l'eau de Javel dans le bac supplémentaire 4, sélectionnez le programme «Rinçage» et activez l'option «Anti-tâches». Pour blanchir en cours de lavage, versez le produit lessiviel et les additifs, sélectionnez le programme souhaité et activez l'option «Anti-tâches». L'utilisation du bac supplémentaire 4 exclut le pré-lavage.

Triage du linge

- Trier correctement le linge d'après:
 - le type de textile / le symbole sur l'étiquette.
 - les couleurs: séparer le linge coloré du blanc.
- Vider les poches et contrôler les boutons.
- Ne pas dépasser les valeurs indiquées correspondant au poids de linge sec :
 - Textiles résistants: 8 kg max.
 - Textiles synthétiques: 3,5 kg max.
 - Textiles délicats: 2 kg max.
 - Laine: 2 kg max.
 - Soie: 2 kg max.

Combien pèse le linge ?

- 1 drap 400-500 g
- 1 taie d'oreiller 150-200 g
- 1 nappe 400-500 g
- 1 peignoir 900-1200 g
- 1 serviette éponge 150-250 g

Linge ou vêtements particuliers

Jeans: mettez les jeans à l'envers avant de les laver et utilisez une lessive liquide. Sélectionnez le programme 6.

Chemises: sélectionner le programme approprié au lavage de chemises 7 pour laver des chemises de textile et couleur différents.

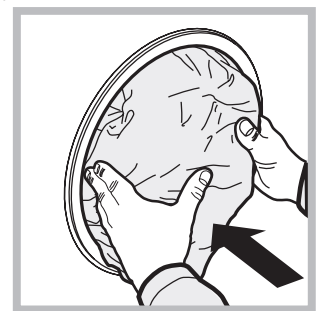
Mix Froid 30': il est spécialement conçu pour laver des vêtements peu sales en un rien de temps : il ne dure que 30 minutes et permet ainsi de faire des économies d'énergie et de temps. La sélection de ce programme 8 permet de laver à froid des textiles différents (sauf laine et soie) en ne dépassant pas 3 kg de charge.

Laine: grâce au programme 9 vous pouvez laver à la machine tous vos vêtements en laine, y compris ceux qui portent l'étiquette "lavage à la main uniquement". Pour obtenir d'excellents résultats utilisez un produit lessiviel spécial et ne dépassez pas une charge de 2 kg.

Soie: sélectionner le programme de lavage spécial 10 pour vêtements en soie. Il est conseillé d'utiliser une lessive spéciale pour linge délicat.

Voilages: pliez-les bien et glissez-les dans une taie d'oreiller ou dans un sac genre filet. Sélectionner le programme 10.

Duvets: pour laver des articles avec garnissage en duvet d'oie comme par exemple des couettes deux places ou une place (poids maximal à ne pas dépasser 3 kg), oreillers, anoraks, utiliser le programme spécial 11 "Duvets". Pour introduire les duvets dans le tambour, nous recommandons de replier les bords en dedans (voir figures) et de ne pas occuper plus de 3/4 du volume du tambour. Pour un lavage optimal, nous recommandons d'utiliser une lessive liquide à doser dans le tiroir à produits lessiviels.



Outwear (programme 12): est spécialement conçu pour laver des tissus hydrofuges et des anoraks (par ex.: goretex, polyester, nylon); pour obtenir d'excellents résultats, utilisez une lessive liquide avec une dose pour la demi-charge; prétraitez poignets, cols et taches; n'utilisez ni assouplissants ni d'autres produits avec assouplissant. Avec ce programme vous ne pouvez pas laver les duvets.

Baskets (programme 13): est spécialement conçu pour laver des chaussures de sport; pour obtenir d'excellents résultats nous recommandons de ne pas en laver plus de 2 paires à la fois.

! Ce lave-linge a été conçu et fabriqué conformément aux normes internationales de sécurité. Ces consignes sont fournies pour des raisons de sécurité, il faut les lire attentivement.

Sécurité générale

- Cet appareil est conçu pour un usage domestique.
- Cet appareil n'est pas destiné à être utilisé par des personnes (enfants compris) dont les capacités physiques, sensorielles ou mentales sont réduites ou qui ne disposent pas des connaissances ou de l'expérience nécessaires, à moins qu'elles n'aient été formées et encadrées pour l'utilisation de cet appareil par une personne responsable de leur sécurité. Surveiller les enfants pour s'assurer qu'ils ne jouent pas avec l'appareil.
- Ce lave-linge ne doit être utilisé que par des adultes en suivant les instructions reportées dans ce mode d'emploi.
- Ne jamais toucher l'appareil si l'on est pieds nus et si les mains sont mouillées ou humides.
- Ne jamais tirer sur le câble pour débrancher la fiche de la prise de courant.
- Ne pas ouvrir le tiroir à produits lessiviels si la machine est branchée.
- Ne pas toucher à l'eau de vidange, elle peut atteindre des températures très élevées.
- Ne pas forcer pour ouvrir le hublot: le verrouillage de sécurité qui protège contre les ouvertures accidentelles pourrait s'endommager.
- En cas de panne, éviter à tout prix d'accéder aux mécanismes internes pour tenter une réparation.
- Veiller à ce que les enfants ne s'approchent pas de l'appareil pendant son optionnement.
- Pendant le lavage, le hublot a tendance à se réchauffer.
- Deux ou trois personnes sont nécessaires pour déplacer l'appareil avec toutes les précautions nécessaires. Ne jamais le déplacer tout seul car il est très lourd.
- Avant d'introduire le linge, s'assurer que le tambour est bien vide.

Système d'équilibrage de la charge

Avant tout essorage, pour éviter toute vibration excessive et répartir le linge de façon uniforme, le lave-linge fait tourner le tambour à une vitesse légèrement supérieure à la vitesse de lavage. Si au bout de plusieurs tentatives, la charge n'est toujours pas correctement équilibrée, l'appareil procède à un essorage à une vitesse inférieure à la vitesse normalement prévue. En cas de déséquilibre excessif, le lave-linge préfère procéder à la répartition du linge plutôt qu'à son essorage. Pour une meilleure répartition de la charge et un bon équilibrage, nous conseillons de mélanger de grandes et petites pièces de linge.

Mise au rebut

- Mise au rebut du matériel d'emballage: se conformer aux réglementations locales de manière à ce que les emballages puissent être recyclés.
- La Directive Européenne 2002/96/EC sur les Déchets des Equipements Electriques et Electroniques, exige que les appareils ménagers usagés ne soient pas jetés dans le flux normal des déchets municipaux. Les appareils usagés doivent être collectés séparément afin d'optimiser le taux de récupération et le recyclage des matériaux qui les composent et réduire l'impact sur la santé humaine et l'environnement. Le symbole de la "poubelle barrée" est apposée sur tous les produits pour rappeler les obligations de collecte séparée. Les consommateurs devront contacter les autorités locales ou leur revendeur concernant la démarche à suivre pour l'enlèvement de leur vieil appareil.

Entretien et soin

FR

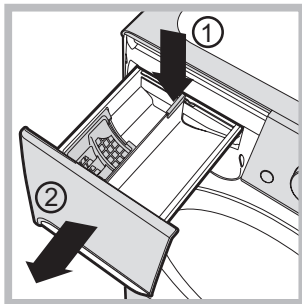
Coupure de l'arrivée d'eau et du courant

- Fermer le robinet de l'eau après chaque lavage. Cela réduit l'usure de l'installation hydraulique du lave-linge et évite tout danger de fuites.
- Débrancher la fiche de la prise de courant lors de tout nettoyage du lave-linge et pendant tous les travaux d'entretien.

Nettoyage du lave-linge

Pour nettoyer l'extérieur et les parties en caoutchouc, utiliser un chiffon imbibé d'eau tiède et de savon. N'utiliser ni solvants ni abrasifs.

Nettoyage du tiroir à produits lessiviels



Pour sortir le tiroir, appuyer sur le levier (1) et tirer vers soi (2) (voir figure). Le laver à l'eau courante ; effectuer cette opération assez souvent.

Entretien du hublot et du tambour

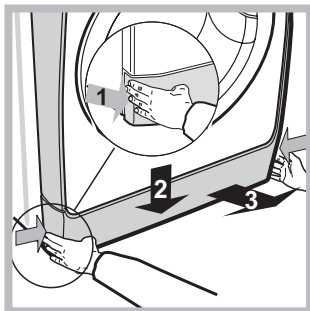
- Il faut toujours laisser le hublot entrouvert pour éviter la formation de mauvaises odeurs.

Nettoyage de la pompe

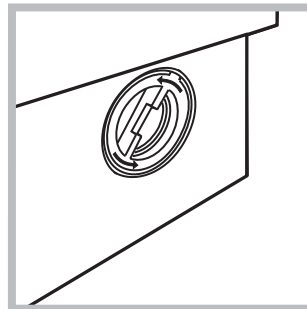
Le lave-linge est équipé d'une pompe autonettoyante qui n'exige aucune opération d'entretien. Il peut toutefois arriver que de menus objets (pièces de monnaie, boutons) tombent dans la préchambre qui protège la pompe, placée en bas de cette dernière.

! S'assurer que le cycle de lavage est bien terminé et débrancher la fiche.

Pour accéder à cette préchambre :



1. retirer le panneau situé à l'avant du lave-linge en appuyant vers le centre. Appuyer ensuite vers le bas de chaque côté et l'extraire (voir figures).



2. dévisser le couvercle en le tournant dans le sens inverse des aiguilles d'une montre (voir figure) : il est normal qu'un peu d'eau s'écoule;

3. nettoyer soigneusement l'intérieur;
4. revisser le couvercle;
5. remonter le panneau en veillant à bien enfiler les crochets dans les fentes prévues avant de le pousser contre l'appareil.

Contrôle du tuyau d'arrivée de l'eau

Contrôler le tuyau d'alimentation au moins une fois par an. Procéder à son remplacement en cas de craquements et de fissures : car les fortes pressions subies pendant le lavage pourraient provoquer des cassures.

! N'utiliser que des tuyaux neufs.

Il peut arriver que le lave-linge ne fonctionne pas bien. Avant d'appeler le Service de dépannage (voir "Assistance"), contrôler s'il ne s'agit pas par hasard d'un problème facile à résoudre à l'aide de la liste suivante.

Anomalies:

Causes / Solutions possibles:

Le lave-linge ne s'allume pas.

- La fiche n'est pas branchée dans la prise de courant ou mal branchée.
- Il y a une panne de courant.

Le cycle de lavage ne démarre pas.

- Le hublot n'est pas bien fermé.
- La touche ON/OFF n'a pas été enfoncée.
- La touche START/PAUSE n'a pas été enfoncée.
- Le robinet de l'eau n'est pas ouvert.
- Un départ différé a été sélectionné (voir "Personnalisations").

Il n'y a pas d'arrivée d'eau (le voyant de la première phase de lavage clignote rapidement).

- Le tuyau d'arrivée de l'eau n'est pas raccordé au robinet.
- Le tuyau est plié.
- Le robinet de l'eau n'est pas ouvert.
- Il y a une coupure d'eau.
- La pression n'est pas suffisante.
- La touche START/PAUSE n'a pas été enfoncée.

Le lave-linge prend l'eau et vidange continuellement.

- Le tuyau de vidange n'est pas installé à une distance du sol comprise entre 65 et 100 cm (voir "Installation").
- L'extrémité du tuyau de vidange est plongée dans l'eau (voir "Installation").
- L'évacuation murale n'a pas d'évent.

Si après ces vérifications, le problème persiste, fermer le robinet de l'eau, éteindre la machine et appeler le service Assistance. Si l'appartement est situé en étage dans un immeuble, il peut y avoir des phénomènes de siphonnage qui font que le lave-linge prend et évacue l'eau continuellement. Pour supprimer cet inconvénient, on trouve dans le commerce des soupapes spéciales anti-siphonnage.

Le lave-linge ne vidange pas et n'essore pas.

- Le programme ne prévoit pas de vidange: pour certains programmes, il faut la faire partir manuellement.
- Le Option REPASSAGE FACILE est activée : pour compléter le programme, appuyer sur la touche START/PAUSE ("Personnalisations").
- Le tuyau de vidange est plié (voir "Installation").
- La conduite d'évacuation est bouchée.

Le lave-linge vibre beaucoup pendant l'essorage.

- Le tambour n'a pas été débloqué comme il faut lors de l'installation du lave-linge (voir "Installation").
- Le lave-linge n'est pas posé à plat (voir "Installation").
- Le lave-linge est coincé entre des meubles et le mur (voir "Installation").

Le lave-linge a des fuites.

- Le tuyau d'arrivée de l'eau n'est pas bien vissé (voir "Installation").
- Le tiroir à produits lessiviels est bouché (pour le nettoyer voir "Entretien et soin").
- Le tuyau de vidange n'est pas bien fixé (voir "Installation").

Les voyants des "Options" et le voyant START/PAUSE clignotent. Le voyant du phase de lavage et le voyant hublot bloqué restent fixes.

- Eteindre l'appareil et débrancher la fiche de la prise de courant, attendre 1 minute environ avant de rallumer.
Si l'anomalie persiste, appeler le service d'assistance.

Il y a un excès de mousse.

- Le produit de lavage utilisé n'est pas une lessive spéciale machine (il faut qu'il y ait l'inscription "pour lave-linge", "main et machine", ou autre semblable).
- La quantité utilisée est excessive.

Assistance

FR

Avant d'appeler le service après-vente:

- Vérifier si on ne peut pas résoudre l'anomalie par ses propres moyens (voir "*Anomalies et Remèdes*");
- Remettre le programme en marche pour contrôler si l'inconvénient a disparu;
- Autrement, contacter le Centre d'Assistance technique agréé au numéro de téléphone indiqué sur le certificat de garantie.

! Ne jamais s'adresser à des techniciens non agréés.

Communiquer:

- le type de panne;
- le modèle de l'appareil (Mod.);
- son numéro de série (S/N).

Ces informations se trouvent sur la plaque signalétique apposée à l'arrière du lave-linge et à l'avant quand on ouvre la porte hublot.

Instruções para utilização

MÁQUINA DE LAVAR ROUPA

PT

Português

PWC 81272 W

Sumário

Instalação, 26-27

Desembalar e nivelar
Ligações hidráulicas e eléctricas
Primeiro ciclo de lavagem
Dados técnicos

Descrição da máquina de lavar roupa e como iniciar um programa, 28-29

Painel de comandos
Indicadores luminosos
Iniciar um programa

Programas, 30

Tabela dos programas

Personalizações, 31

Selecione a temperatura
Selecione a centrifugação
Funções

Detergentes e roupa, 32

Gaveta dos detergentes
Ciclo para branquear
Preparar a roupa
Peças especiais

Precauções e conselhos, 33

Segurança geral
Sistema de balanceamento da carga
Eliminação

Manutenção e cuidados, 34

Interromper a alimentação de água e de corrente eléctrica
Limpar a máquina de lavar roupa
Limpar a gaveta dos detergentes
Cuidados com a porta de vidro e o tambor
Limpar a bomba
Verificar o tubo de alimentação de água

Anomalias e soluções, 35

Assistência, 36

Instalação

PT

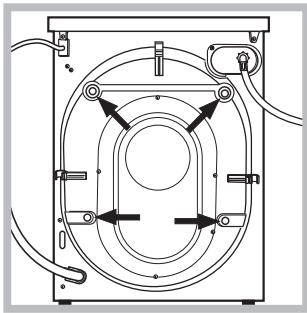
! É importante guardar este manual para poder consultá-lo a qualquer momento. Se a máquina for vendida, cedida ou transferida, certifique-se que este manual permaneça com a máquina para informar o novo proprietário acerca do seu funcionamento e das respectivas advertências.

! Leia com atenção estas instruções: há importantes informações acerca da instalação, da utilização e da segurança.

Desembalar e nivelar

Desembalar

1. Tire a máquina de lavar roupa da embalagem.
2. Verifique se a máquina de lavar roupa sofreu danos no transporte. Se estiver danificada não efectue a sua ligação e contacte o revendedor.



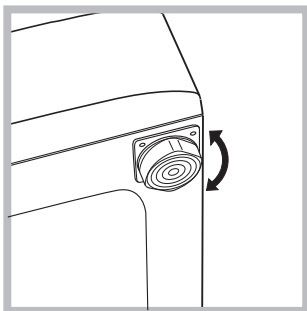
3. Tire os 4 parafusos de protecção para o transporte e a borrachinha com o respectivo calço, situados na parte traseira (veja a figura).

4. Tampe os furos com as tampas em plástico fornecidas.
5. Guarde todas as peças: se for necessário transportar a máquina de lavar roupa, terão de ser montadas outra vez.

! Embalagens não são brinquedos para as crianças!

Nivelamento

1. Instale a máquina de lavar roupa sobre um pavimento plano e rígido, sem encostá-la em paredes, móveis nem outro.

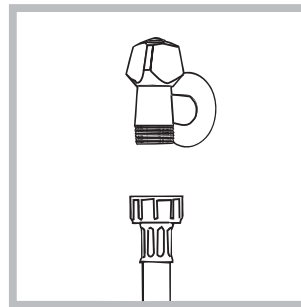


2. Se o pavimento não for perfeitamente horizontal, para compensar qualquer irregularidade, desatarraxe ou atarraxe os pés dianteiros (veja a figura); o ângulo de inclinação, medido no plano de trabalho, não deve ultrapassar 2°.

Um cuidadoso nivelamento dá estabilidade à máquina e evita vibrações, ruídos e deslocamentos durante o funcionamento. Se houver tapete ou alcatifa, regule os pés em modo que embaixo da máquina de lavar roupa deixe um espaço suficiente para ventilação.

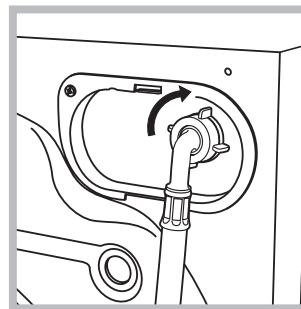
Ligações hidráulicas e eléctricas

Ligação do tubo de alimentação da água



1. Realize a ligação do tubo de alimentação parafusando-o a uma torneira de água fria com bocal de rosca de 3/4 gás (veja a figura).

Antes de realizar esta ligação, deixe a água escorrer até estar límpida.



2. Ligue o tubo de alimentação na máquina de lavar roupa atarraxando-o no apropriado fornecimento da água, na parte traseira, em cima à direita (veja a figura).

3. Tome cuidado para o tubo não ser dobrado nem esmagado.

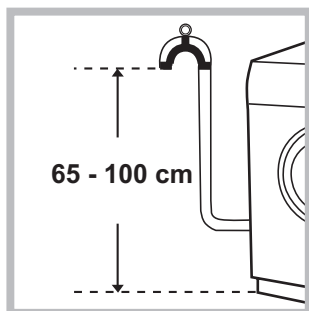
! A pressão hídrica da torneira deve ser entre os valores da tabela dos Dados técnicos (veja a página ao lado).

! Se o comprimento do tubo de alimentação não for suficiente, contacte uma oficina especializada ou um técnico autorizado.

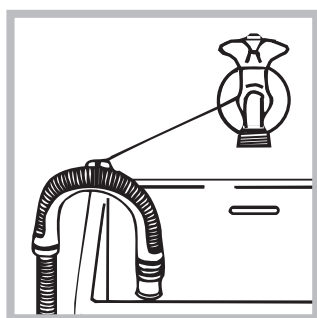
! Nunca utilize tubos já usados.

! Utilize aqueles fornecidos com a máquina.

Ligação do tubo de descarga



Ligue o tubo de descarga, sem dobrá-lo, a um conduto de descarga ou a uma descarga de parede colocados entre 65 e 100 cm do chão;



em alternativa, coloque na beira de um lavabo ou de uma banheira, prendendo na torneira a guia fornecida (*veja a figura*). A ponta solta do tubo de descarga não deve permanecer emergida na água.

! É desaconselhado empregar tubos de extensão; mas se for indispensável, a extensão deve ter o mesmo diâmetro do tubo original e não medir mais de 150 cm de comprimento.

Ligação eléctrica

Antes de ligar a ficha na tomada eléctrica, certifique-se que:

- a tomada tenha uma ligação à terra e seja nos termos da legislação;
- a tomada tenha a capacidade para suportar a carga máxima de potência da máquina, indicada na tabela dos Dados técnicos (*veja ao lado*);
- a tensão de alimentação seja entre os valores indicados na tabela dos Dados técnicos (*veja ao lado*);
- a tomada seja compatível com a ficha da máquina de lavar roupa. Se não for, substitua a tomada ou a ficha.

! Esta máquina de lavar roupa não deve ser instalada ao aberto, nem mesmo abrigada, porque é muito perigoso deixá-la exposta à chuva e às tempestades.

! Depois de ter instalado a máquina de lavar roupa, o acesso à tomada eléctrica deve ser fácil.

! Não empregue extensões nem fichas múltiplas.



! O cabo não deve ser dobrado nem apertado.

! O cabo de alimentação deve ser substituído somente por técnicos autorizados.

Atenção! O fabricante declina toda a responsabilidade se estas regras não forem respeitadas.

Primeiro ciclo de lavagem

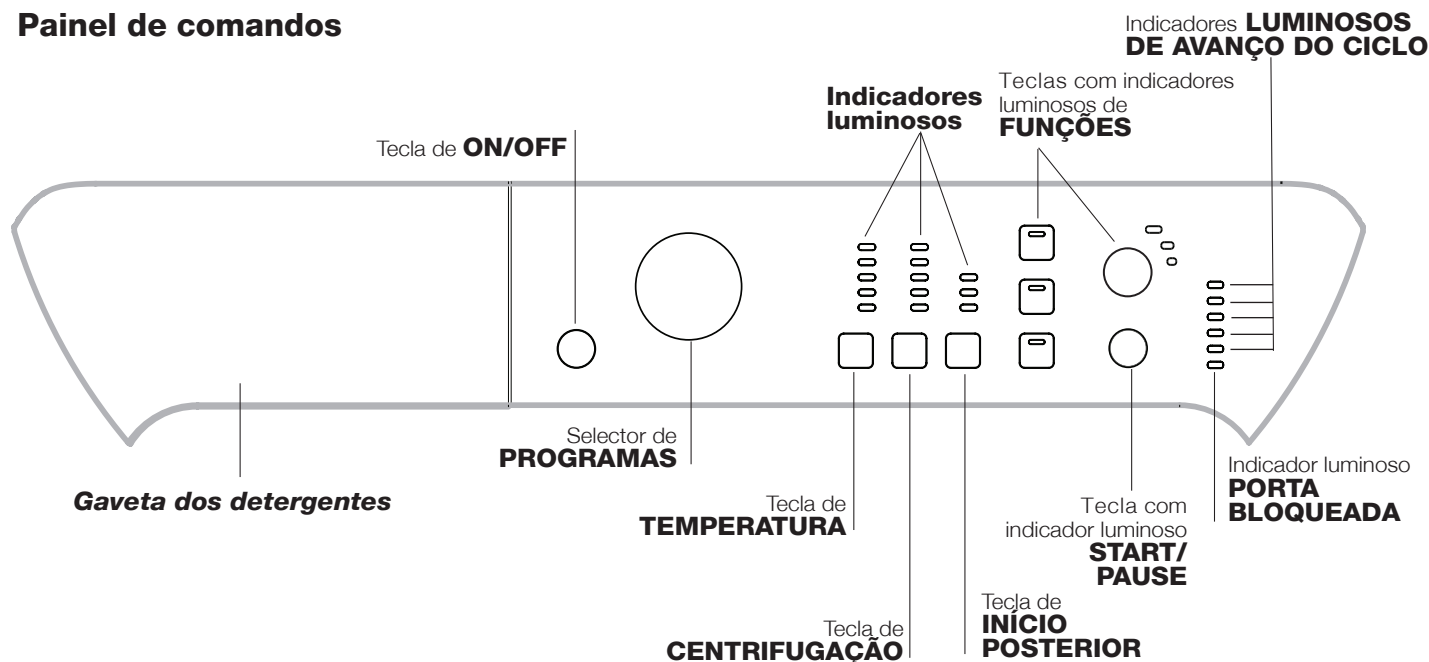
Depois da instalação, antes de usar, efectue um ciclo de lavagem com detergente mas sem roupa, defina o programa 2.

Dados técnicos	
Modelo	PWC 81272 W
Medidas	largura 59,5 cm altura 85 cm profundidade 60 cm
Capacidade	de 1 a 8 kg
Ligações eléctricas	veja a placa das características técnicas colocada na máquina
Ligações hídricas	pressão máxima 1 MPa (10 bar) pressão mínima 0.05 MPa (0.5 bar) capacidade do tambor 62 litros
Velocidade da centrifugação	até 1.200 rotações por minuto
Programas de ensaio conforme a directiva 2010/1061	programa 2; temperatura 60°C e 40°C.
 	Esta aparelhagem é em conformidade com as seguintes Directivas Comunitárias: - 2004/108/CE (Compatibilidade Electromagnética) - 2002/96/CE - 2006/95/CE (Baixa Tensão)

Descrição da máquina de lavar roupa e como iniciar um programa

PT

Painel de comandos



Gaveta dos detergentes: para colocar detergentes e aditivos (veja “Detergentes e roupa”).

Tecla de **ON/OFF:** para ligar e desligar a máquina de lavar roupa.

Selector de **PROGRAMAS:** para programar os programas. Durante o programa o selector permanece parado.

Teclas com indicadores luminosos de **FUNÇÕES:** para seleccionar as funções disponíveis. O indicador luminoso correspondente à função seleccionada permanecerá aceso.

Tecla de **CENTRIFUGAÇÃO:** para seleccionar a centrifugação ou desactivá-la (veja “Personalizações”).

Tecla de **TEMPERATURA:** para definir a temperatura ou a lavagem a frio (veja “Personalizações”).

Tecla de **INÍCIO POSTERIOR**


Atrasa o início da máquina de até 9 horas. Carregue várias vezes na tecla até acender-se o indicador luminoso correspondente ao atraso desejado. Ao carregar na tecla pela quarta vez, desactivará a opção.

Obs.: Depois de ter carregado na tecla START/PAUSE, será possível mudar o valor do atraso somente para diminuí-lo até iniciar o programa configurado.

! É activo com todos os programas.

Indicadores **LUMINOSOS DE AVANÇO DO CICLO:** para seguir o estado do avanço do programa de lavagem.

Indicador luminoso **PORTA BLOQUEADA:** para saber se a porta de vidro pode ser aberta (veja a página ao lado).

Tecla com indicador luminoso **START/PAUSE:** para activar os programas ou interrompê-los momentaneamente. **Obs.:** para colocar em pausa a lavagem em curso, carregar nesta tecla, o respectivo indicador luminoso ficará intermitente com uma luz laranja enquanto aquele da fase em curso ficará aceso fixo. Se o indicador PORTA BLOQUEADA  estiver apagado, será possível abrir a porta de vidro (aguarde aproximadamente 3 minutos). Para fazer iniciar a lavagem do ponto em que foi interrompida, carregue novamente nesta tecla.

Modalidade de Stand by

Esta máquina de lavar roupa, em conformidade com as novas normas sobre a economia energética, dispõe de um sistema de desligação automática (stand by) que entra em função aproximadamente 30 minutos depois, no caso de inutilização. Carregue brevemente no botão ON-OFF e aguarde até a reactivação da máquina.

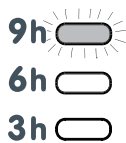
Indicadores luminosos

Os indicadores luminosos fornecem informações importantes.

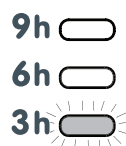
Vejamos o que significam:

Início posterior

Se tiver sido activada a função “Início posterior” (veja “Personalizações”) depois de ter iniciado o programa, começará a lampear o indicador luminoso relativo ao atraso seleccionado.



Com o passar do tempo será mostrado a atraso restante, mediante o respectivo indicador luminoso aceso intermitente:




Depois de ter passado o tempo de atraso seleccionado, começará o programa estabelecido.

Indicadores luminosos fase em curso

Uma vez seleccionado e iniciado o ciclo de lavagem desejado, os indicadores luminosos se acenderão progressivamente para indicar o estado de avanço:

Iniciar um programa

1. Ligue a máquina de lavar roupa, carregando na tecla ON/OFF. Todos os indicadores luminosos se acenderão por alguns segundos, em seguida ficarão acesos os indicadores relativos às configurações do programa seleccionado e o indicador luminoso START/PAUSE ficará intermitente.
2. Coloque a roupa dentro da máquina e feche a porta.
3. Selecciono mediante o selector de PROGRAMAS o programa que desejar.
4. Selecciono a temperatura de lavagem (veja as “Personalizações”).
5. Selecciono a velocidade de centrifugação (veja as “Personalizações”).
6. Colocar detergentes e aditivos (veja “Detergentes e roupa”).
7. Seleccionar as funções desejadas.
8. Iniciar o programa carregando na tecla START/PAUSE e o respectivo indicador luminoso permanecerá aceso fixo de cor azul. Para anular o ciclo programado, colocar a máquina em pausa carregando na tecla START/PAUSE e escolher um novo ciclo.
9. No fim do programa, irá iluminar-se o indicador **END**. Quando o indicador PORTA BLOQUEADA  estiver apagado, será possível abrir a porta de vidro (aguarde aproximadamente 3 minutos). Retire a roupa lavada de dentro e deixe a porta entreaberta para deixar o tambor enxugar-se. Para desligar a máquina de lavar roupa, mete na tecla de ON/OFF.


Lavagem	 
Enxaguamento	 
Centrifugação	 
Descarga	 
Final da Lavagem	 END

Teclas função e respectivos indicadores luminosos

Ao seleccionar uma função o respectivo indicador luminoso se acenderá.

Se a função seleccionada não for compatível com o programa definido, o indicador luminoso se acenderá intermitente e a função não será activada.

Se a função seleccionada não for compatível com uma outra programada anteriormente, o indicador luminoso relativo à primeira função seleccionada irá piscar e será activada somente a segunda, o indicador luminoso da função activada acender-se-á.

Nota: se a opção  estiver activa, qualquer outra opção não compatível não poderá ser activada.

Indicador luminoso porta bloqueada




O indicador luminoso aceso indica que a porta está trancada para impedir a aberturas; para abrir a porta é necessário que o indicador luminoso se apague (aguarde aproximadamente 3 minutos). Para abrir a porta durante a realização de um ciclo, carregar no botão START/PAUSE; se o indicador luminoso PORTA BLOQUEADA estiver apagado será possível abrir a porta.

! A intermitência rápida dos indicadores luminosos das “Opções” e de START/PAUSE junto com a ligação dos indicadores da “fase em curso” e de “PORTA BLOQUEADA” sinalizam uma anomalia (consulte “Anomalias e soluções”).

Programas

PT

Tabela dos programas

Programas	Descrição do Programa	Temp. max. (°C)	Velocità max. (rotações por minuto)	Detergentes				Carga max. (Kg)	Duração ciclo
				Pré-lavagem	Lava-gem	Lixívia	Amacia-dor		
Programas para todos os dias									
1	Algodão Pré-lavagem 90°C: peças brancas extremamente sujas.	90°	1200	●	●	-	●	8	190
2	Algodão: brancos e coloridos resistentes muito sujos.	90°	1200	-	●	●	●	8	175
2	Algodão (1): brancos e coloridos resistentes muito sujos.	60°	1200	-	●	●	●	8	200
2	Algodão (1-2): brancos e coloridos delicados pouco sujos.	40°	1200	-	●	●	●	8	160
3	Algodão: brancos e coloridos resistentes muito sujos.	60°	1200	-	●	●	●	8	140
4	Algodão Coloridos (3): brancos pouco sujos e cores delicadas.	40°	1200	-	●	●	●	8	100
5	Sintéticos: coloridos resistentes muito sujos.	60°	800	-	●	●	●	3,5	90
6	Jeans	40°	800	-	●	-	●	4	70
7	Camisas	40°	600	-	●	●	●	2	70
8	Mix-Cool 30': para refrescar rapidamente roupas levemente sujas (não é indicado para lã, seda e roupas que deve ser lavadas à mão).	Água fria	800	-	●	-	●	3	30
Programas Especiais									
9	Lã: para lã, cashmere, etc.	40°	600	-	●	-	●	2	55
10	Seda / Cortinas: para roupas de seda, viscosa, lingerie.	30°	0	-	●	-	●	2	65
11	Edredões: para peças com enchimento em plumas de ganso.	30°	1000	-	●	-	●	3	120
12	Outwear	30°	600	-	●	-	-	2,5	60
13	Sport Shoes	30°	600	-	●	-	●	Max. 2 pares	60
Programas Parciais									
	Enxaguamentos	-	1200	-	-	●	●	8	35
	Centrifugação	-	1200	-	-	-	-	8	15
	Descarga	-	0	-	-	-	-	8	2

A duração do ciclo indicada no visor ou no manual é uma estima calculada com base nas condições padrão. O tempo efectivo poderá variar a depender de vários factores, tais como a temperatura e a pressão da água em entrada, a temperatura ambiental, a quantidade de detergente, a quantidade e o tipo de carga, o balanceamento da carga e as opções adicionais seleccionadas.

Para todos Test Institutes:

- 1) Programa de controlo segundo a norma 2010/1061: configurar o programa 2 com uma temperatura de 60°C e 40°C.
- 2) Programa longo para algodão: configurar o programa 2 com uma temperatura de 40°C.
- 3) Programa curto para algodão: configurar o programa 4 com uma temperatura de 40°C.

Selecione a temperatura

Pressionando a tecla TEMPERATURA para seleccionar a temperatura de lavagem (veja a *Tabela dos programas*).

A temperatura pode ser diminuída até a lavagem a frio (❄).

A máquina impedirá automaticamente a configuração de uma temperatura superior à máxima prevista para cada um dos programas.

Selecione a centrifugação

Pressionando a tecla CENTRIFUGAÇÃO para seleccionar a velocidade de centrifugação do programa seleccionado.

As velocidades máximas que há para os programas são:

Programas	Velocidade máxima
Algodão	1200 rotações por minuto
Sintéticos	800 rotações por minuto
Lã	600 rotações por minuto
Seda	somente descarga

A velocidade de centrifugação pode ser diminuída, ou excluída se seleccionar o símbolo (🌀).

A máquina impedirá automaticamente a realização de uma centrifugação superior à máxima de cada um dos programas.

Funções

As várias funções de lavagem da máquina de lavar roupa possibilitam obter-se a limpeza e o branco que desejar.

Para activar as funções:

1. mete na tecla relativa à função desejada;
2. o respectivo indicador luminoso acende-se para avisar que a função está activada.

Observação: Se um indicador luminoso acender-se intermitente, significa que a respectiva função não pode ser seleccionada para o programa definido.



A tecnologia de “PRIME” optimiza, conforme as peças inseridas no tambor, o consumo de energia, água e tempo. Além disto, ao carregar na tecla (🌀) é possível seleccionar a opção:

- **Water (Água)**: consente reduzir o consumo de água sem renunciar a ter resultados impecáveis (recomendada para peças demasiadamente sujas).

- **Energy (Energia)**: opção configurada automaticamente por “PRIME”, reduz o consumo de energia (recomendada para peças normalmente sujas).

- **Time (Tempo)**: consente reduzir a duração da lavagem (recomendada para peças pouco sujas).

! Pode ser activada somente nos programas 1, 2, 3, 4, 5 (os três níveis) e 6, 7, 8 (níveis - **Energy** e - **Time**).

Enxaguamento Extra

Seleccionando esta opção aumenta-se a eficácia da enxaguamento, e garante-se a máxima remoção do detergente. É útil para quem tem a pele particularmente sensível.

! Não pode ser activada nos programas 8, (🌀), (❄).

Engomar Fácil

Seleccionando esta função, a lavagem e a centrifugação serão oportunamente modificadas para reduzir a formação de rugas. No fim do ciclo, a máquina de lavar roupa efectuará lentas rotações do tambor; o indicador luminoso da função “Engomar Fácil” e aquele de START/PAUSE ficarão intermitentes (o primeiro azul, o segundo âmbar) e o indicador luminoso “END” ilumina-se. Para terminar o ciclo, carregar no botão START/PAUSE ou na tecla “Engomar Fácil”. Nos programas 10-12 a máquina terminará o ciclo com a roupa de molho e os indicadores luminoso da função “Engomar Fácil” e o de START/PAUSE irão piscar. Para descarregar a água e poder retirar a roupa é necessário carregar na tecla START/PAUSE ou na tecla “Engomar Fácil”.

! Não pode ser activada nos programas 8, 9, 13, (🌀), (❄).

Anti-mancha

Ciclo branqueador adequado para eliminar as nódoas mais resistentes. Coloque lixívia na gaveta adicional 4 (veja “Ciclo para branquear”).

! Não pode ser activada nos programas 1, 6, 8, 9, 10, 11, 12, 13, (🌀), (❄).

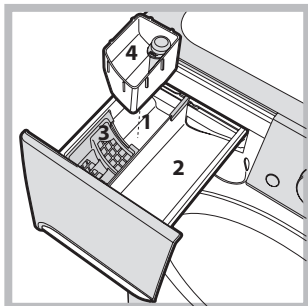
Detergentes e roupa

PT

Gaveta dos detergentes

O bom resultado da lavagem depende também do emprego da dose certa de detergente: com excessos não se lava de maneira mais eficaz, mas contribui-se para formar crostas nas peças internas da máquina de lavar roupa e poluir o meio ambiente.

! Não use detergentes para lavagem à mão, porque formam espuma demais.



Tire a gaveta dos detergentes e deite o detergente ou o aditivo da seguinte maneira:

gaveta 1: Detergente para pré-lavagem (em pó)

Antes de deitar detergente verifique se há dentro a gaveta adicional 4.

gaveta 2: Detergente para lavagem (em pó ou líquido)

O detergente líquido deve ser deitado somente depois da máquina ter arrancado.

gaveta 3: Aditivos (amaciador etc.)

O aditivo amaciador não deve ultrapassar a grade.

gaveta adicional 4: Água de Javel

Ciclo para branquear

! A Lixívia **tradicional** pode ser utilizada para tecidos resistentes brancos, enquanto que a **delicada** pode ser utilizada para tecidos coloridos, sintéticos e para lã. Coloque a gaveta adicional 4, fornecida, na gaveta 1. Quando deitar a lixívia, certifique-se de que não ultrapasse o nível "máx." indicado no pino (veja a figura). Para branquear somente, deite lixívia na gaveta adicional 4, escolha o programa "Enxaguamento" e seleccione a função "Anti-mancha" . Para branquear durante a lavagem deite detergente e os aditivos, defina o programa que desejar e seleccione a função "Anti-mancha" . Se utilizar a gaveta adicional 4 exclui-se a pré-lavagem.

Preparar a roupa

- Divida a roupa em função:
 - do tipo de tecido / do símbolo na etiqueta.
 - das cores: separe as peças coloridas das brancas.
- Esvazie as algibeiras e verifique se há botões soltos.
- Não ultrapasse os valores indicados que se referem ao peso da roupa enxuta:
 - Tecidos resistentes: máx. 8 kg.
 - Tecidos sintéticos: máx. 3,5 kg.
 - Tecidos delicados: máx. 2 kg.
 - Lã: máx. 2 kg.
 - Seda: máx. 2 kg.

Quanto pesa a roupa?

- 1 lençol 400 - 500 g.
- 1 fronha 150 - 200 g.
- 1 toalha de mesa 400 - 500 g.
- 1 roupão 900 - 1200 g.
- 1 toalha de rosto 150 - 250 g.

Peças especiais

Jeans: vire do avesso as roupas antes de lavar e use um detergente líquido. Utilize o programa 6.

Camisas: utilize o programa específico 7 para lavar camisas de vários tipos de tecido e cores. Garante a máxima cura minimizando a formação de dobras.

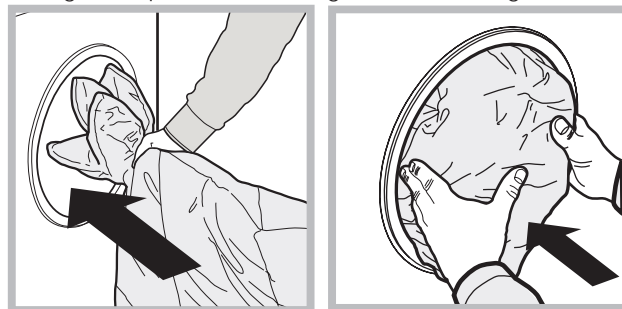
Mix-Cool 30': foi estudado para em pouco tempo lavar peças levemente sujas: leva apenas 30 minutos e, desta maneira, economiza energia e tempo. Se regular o programa 8 será possível lavar juntos tecidos de natureza diferente (excepto lã e seda), com uma carga máxima de 3 Kg.

Lã: com o programa 9 é possível lavar na máquina todas as peças de lã, mesmo aquelas com a etiqueta "lavar somente à mão" . Para obter os melhores resultados, utilize um detergente específico e não ultrapasse 2 kg. de carga.

Seda: utilize o programa específico 10 para lavar todas as roupas de seda. Aconselha-se o uso de um detergente específico para tecidos delicados.

Cortinas: dobre-as bem e coloque-as dentro de uma fronha ou de um saquinho de rede. Utilize o programa 10.

Edredões: para lavar peças com enchimento de plumas de ganso de casal ou de solteiro (com peso inferior a 3 kg), travesseiros, jaquetas, utilizar o programa específico 11 "Edredões". Recomenda-se colocar as peças no tambor dobrando as suas pontas para dentro (veja as figuras) e de não superar os $\frac{3}{4}$ do volume do próprio tambor. Para obter óptimos resultados de lavagem recomenda-se utilizar o detergente líquido dosado na gaveta dos detergentes.



Outwear (programa 12) foi estudado para lavar tecidos hidrorrepelentes e anoraques (por ex. Goretex, poliéster, nylon); para obter os melhores resultados, utilize detergente líquido e use uma dose adequada para a meia carga; pré-tratar os punhos, colarinhos e manchas; não use amaciador ou detergente com amaciador. *Com este programa não se podem lavar os edredões embutidos.*

Sport Shoes (programa 13) foi estudado para lavar calçados desportivos; para obter os melhores resultados não lave mais de 2 pares por ciclo.

! Esta máquina de lavar roupa foi projectada e fabricada em conformidade com os regulamentos internacionais de segurança. Estas advertências são fornecidas por razões de segurança e devem ser lidas com atenção.

Segurança geral

- Este aparelho foi projectado exclusivamente para um uso doméstico.
- O aparelho não deve ser utilizado por pessoas (incluindo crianças) com capacidades físicas, sensoriais ou mentais reduzidas ou sem experiência e conhecimentos, salvo se supervisionadas ou se tiverem recebido instruções sobre a utilização do dispositivo por parte de uma pessoa responsável pela sua segurança. As crianças devem ser mantidas sob vigilância para evitar que brinquem com a máquina.
- Esta máquina de lavar roupa deve ser utilizada somente por pessoas adultas e conforme as instruções apresentadas neste manual.
- Não toque na máquina com os pés descalços nem com as mãos ou os pés molhados ou húmidos.
- Não puxe o cabo eléctrico para tirar a ficha da tomada, pegue a ficha mesmo.
- Não abra a gaveta dos detergentes enquanto a máquina estiver a funcionar.
- Não toque a água de descarga, que poderá chegar a temperaturas altas.
- Em nenhum caso force a porta para abri-la: poderá danificar o mecanismo de segurança que a protege contra aberturas acidentais.
- Se houver avarias, em nenhum caso mexa nos mecanismos internos para tentar reparar.
- Verifique sempre que criança não se aproximem da máquina a funcionar.
- Durante a lavagem a porta de vidro tende a aquecer-se.
- Se for preciso deslocá-la, são precisas pelo menos duas ou três pessoas, com a máxima atenção. Nunca sozinho porque a máquina é muito pesada.
- Antes de colocar a roupa verifique que o tambor esteja vazio.

Sistema de balanceamento da carga

Antes de cada centrifugação, para evitar vibrações excessivas e para distribuir a carga em modo uniforme, o tambor efectua algumas rotações a uma velocidade levemente superior àquela de lavagem. Se no fim de repetidas tentativas a carga ainda não estiver correctamente balanceada, a máquina efectuará a centrifugação com uma velocidade inferior àquela prevista. No caso de um excessivo desbalanceamento, a máquina de lavar roupa efectuará a distribuição ao invés da centrifugação. Para favorecer uma melhor distribuição da carga e o seu correcto balanceamento, aconselha-se misturar peças grandes com peças pequenas.

Eliminação

- Eliminação do material de embalagem: obedeça os regulamentos locais, de maneira que as embalagens possam ser reutilizadas.
- A directiva Europeia 2002/96/CE referente à gestão de resíduos de aparelhos eléctricos e electrónicos, prevê que os electrodomésticos não devem ser escoados no fluxo normal dos resíduos sólidos urbanos. Os aparelhos desactualizados devem ser recolhidos separadamente para otimizar a taxa de recuperação e reciclagem dos materiais que os compõem e impedir potenciais danos para a saúde humana e para o ambiente. O símbolo constituído por um contentor de lixo barrado com uma cruz deve ser colocado em todos os produtos por forma a recordar a obrigatoriedade de recolha separada. Os consumidores devem contactar as autoridades locais ou os pontos de venda para solicitar informação referente ao local apropriado onde devem depositar os electrodomésticos velhos.

Manutenção e cuidados

PT

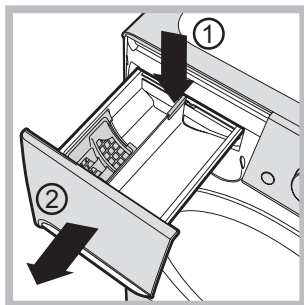
Interromper a alimentação de água e de corrente eléctrica

- Feche a torneira da água depois de cada lavagem. Desta maneira diminuiu-se o desgaste do sistema hidráulico da máquina de lavar roupa e elimina-se o risco de inundação.
- Tire a ficha da tomada eléctrica quando for limpar a máquina de lavar roupa e durante os trabalhos de manutenção.

Limpar a máquina de lavar roupa

A parte externa e as peças em borracha podem ser limpas com um pano molhado com água morna e sabão. Não empregue solventes nem abrasivos.

Limpar a gaveta dos detergentes



Para extrair a gaveta, pressione a lingueta (1) e puxe para fora (2) (veja a figura). Lave-a com água corrente; esta limpeza deve ser efectuada frequentemente.

Cuidados com a porta de vidro e o tambor

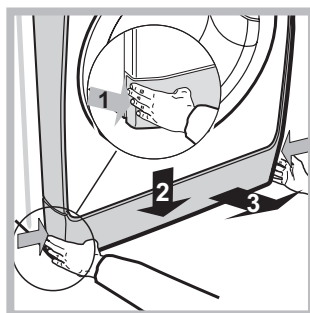
- Deixe a porta sempre entreaberta para evitar que se formem odores desagradáveis.

Limpar a bomba

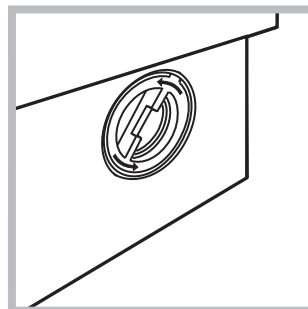
Esta máquina de lavar roupa é equipada com uma bomba com limpeza automática que não precisa de operações de manutenção. Entretanto pode acontecer que pequenos objectos (moedinhas, botões) caiam na pré-câmara que protege a bomba, situada na parte inferior da mesma.

! Certifique-se que o ciclo de lavagem tenha terminado e tire a ficha da tomada.

Para obter acesso à pré-câmara:



1. remova o painel de cobertura no lado anterior da máquina empurrando para o centro, em seguida empurre para baixo de ambos os lados e remova-o (veja as figuras).



2. desenrosque a tampa girando-a no sentido anti-horário (veja a figura). é normal que perca um pouco de água;

3. limpe o interior com cuidado;
4. enrosque outra vez a tampa;
5. monte outra vez o painel, certifique-se, antes de empurrá-la na máquina, que os ganchos foram colocados nas respectivas ranhuras.

Verificar o tubo de alimentação de água

Verifique o tubo de alimentação pelo menos uma vez por ano. Se houver rachaduras ou fendas, será necessário substituí-lo: durante as lavagens as fortes pressões podem provocar repentinas quebras.

! Nunca utilize tubos já usados.

Pode acontecer que a máquina de lavar roupa não funcione. Antes de telefonar para a Assistência Técnica (veja "Assistência"), verifique se não se trata de um problema fácil de resolver com ajuda da seguinte lista.

Anomalias:

A máquina de lavar roupa não liga.

Possíveis causas / Solução:

- A ficha não está colocada na tomada eléctrica, ou não é suficiente para haver contacto.
- Em casa não há corrente.

O ciclo de lavagem não inicia.

- A porta de vidro não está bem fechada.
- O botão ON/OFF não foi pressionado.
- O botão START/PAUSE não foi pressionado.
- A torneira da água não está aberta.
- Foi programado um início posterior.

A máquina de lavar roupa não carrega a água (o indicador luminoso da primeira fase de lavagem pisca rapidamente).

- O tubo de alimentação de água não está ligado na torneira.
- O tubo está dobrado.
- A torneira da água não está aberta.
- Está a faltar água em casa.
- Não há suficiente pressão.
- O botão START/PAUSE não foi pressionado.

A máquina de lavar roupa carrega e descarrega água continuamente.

- O tubo de descarga não está instalado entre 65 e 100 cm de altura do chão (veja "Instalação").
- A ponta do tubo de descarga está imersa na água (veja "Instalação").
- Da descarga na parede não foi sangrado o ar.

Se depois destas verificações o problema não for resolvido, feche a torneira da água, desligue a máquina de lavar roupa e chame a assistência técnica. Se a morada encontrar-se nos últimos andares de um edifício, é possível que aconteçam fenómenos de sifão por causa dos quais a máquina de lavar roupa carrega e descarrega água continuamente. Para eliminar este inconveniente, há a disposição no comércio apropriadas válvulas contra o efeito sifão.

A máquina de lavar roupa não descarrega ou nem realiza centrifugação.

- No programa não há descarga: com alguns programas será necessário iniciar a descarga manualmente.
- Está activada a opção "Engomar Fácil: para completar o programa carregue na tecla START/PAUSE (veja "Programas e opções").
- O tubo de descarga está dobrado (veja "Instalação").
- A conduta de descarga está entupida.

A máquina de lavar roupa vibra muito durante a centrifugação.

- O tambor, no momento da instalação, não foi liberado correctamente (veja "Instalação").
- A máquina não está nivelada (veja "Instalação").
- A máquina está apertada entre móveis e parede (veja "Instalação").

Da máquina de lavar roupa está a perder água.

- O tubo de alimentação da água não está bem enroscado (veja "Instalação").
- O gaveta dos detergentes está entupida (para limpá-la veja "Manutenção e cuidados").
- O tubo de descarga não está fixado correctamente (veja "Instalação").

Os indicadores luminosos das "funções" e o indicador luminoso de "START/PAUSE" piscam e um dos indicadores da "fase em curso" e de "porta bloqueada" ficam acesos fixos.

- Desligue a máquina e tire a ficha da tomada, aguarde aproximadamente 1 minuto e volte a ligá-la.
Se a anomalia persistir, contacte a Assistência Técnica.

Está a formar-se demasiada espuma.

- O detergente não é específico para máquina de lavar roupa (deve haver a escrita "para máquina de lavar", "à mão e para máquina de lavar" ou similares).
- A dose foi excessiva.

Assistência

PT

Antes de contactar a Assistência Técnica:

- Verifique se consegue resolver a anomalia sozinho (*veja "Anomalias e soluções"*);
- Reinicie o programa para verificar se o inconveniente foi resolvido;
- Em caso negativo, contacte a o Centro de Assistência técnica autorizada no número de telefone indicado no certificado de garantia.

! Nunca recorra a técnicos não autorizados.

Comunique:

- o tipo de anomalia;
- o modelo da máquina (Mod.);
- o número de série (S/N).

Estas informações encontram-se na placa colocada na parte traseira da máquina de lavar roupa e na parte anterior abrindo a porta de vidro.

GR

Ελληνικά

PWC 81272 W

Περιεχόμενα

Εγκατάσταση, 38-39

Αποσυσκευασία και οριζοντίωση
Υδραυλικές και ηλεκτρικές συνδέσεις
Πρώτος κύκλος πλυσίματος
Τεχνικά στοιχεία

Περιγραφή του πλυντηρίου και εκκίνηση ενός προγράμματος, 40-41

Πίνακας ελέγχου
Ενδεικτικά φωτάκια
Εκκίνηση ενός προγράμματος

Προγράμματα, 42

Πίνακας των Προγραμμάτων

Εξατομικεύσεις, 43

Θέστε τη θερμοκρασία
Θέστε το στύψιμο
Λειτουργίες

Απορρυπαντικά και μπουγάδα, 44

Θήκη απορρυπαντικών
Κύκλος λεύκανσης
Προετοιμασία της μπουγάδας
Ειδικά ρούχα

Προφυλάξεις και συμβουλές, 45

Γενική ασφάλεια
Σύστημα ισοστάθμισης του φορτίου
Διάθεση

Συντήρηση και φροντίδα, 46

Αποκλεισμός νερού και ηλεκτρικού ρεύματος
Καθαρισμός του πλυντηρίου
Καθαρισμός του συρταριού απορρυπαντικών
Φροντίδα της πόρτας και του κάδου
Καθαρισμός της αντλίας
Έλεγχος του σωλήνα τροφοδοσίας του νερού

Ανωμαλίες και λύσεις, 47

Υποστήριξη, 48

Εγκατάσταση

GR

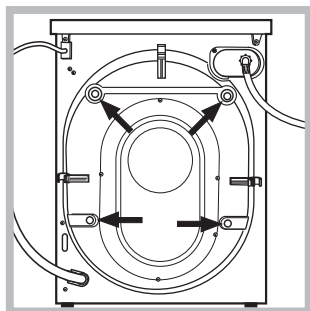
! Είναι σημαντικό να διατηρήσετε το εγχειρίδιο αυτό για να μπορείτε να το συμβουλευέστε οποιαδήποτε στιγμή. Σε περίπτωση πώλησης, παραχώρησης ή μετακόμισης, βεβαιωθείτε ότι παραμένει μαζί με το πλυντήριο για να πληροφορεί τον νέο ιδιοκτήτη για τη λειτουργία και τις σχετικές προειδοποιήσεις.

! Διαβάστε προσεκτικά τις οδηγίες: υπάρχουν σημαντικές πληροφορίες για την εγκατάσταση, τη χρήση και την ασφάλεια.

Αποσυσκευασία και οριζόντιωση

Αποσυσκευασία

1. Αποσυσκευάστε το πλυντήριο.
2. Ελέγξτε αν το πλυντήριο έχει υποστεί ζημιές κατά τη μεταφορά. Αν έχει υποστεί ζημιές μην το συνδέετε και επικοινωνήστε με τον μεταπωλητή.



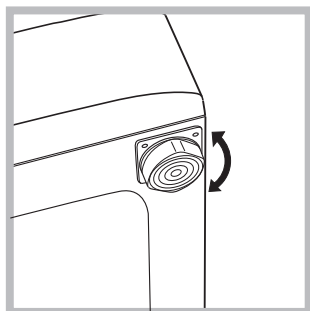
3. Αφαιρέστε τις 4 βίδες προστασίας για τη μεταφορά και το λαστιχάκι με το σχετικό διαχωριστικό, που βρίσκονται στο πίσω μέρος (βλέπε εικόνα).

4. Κλείστε τις οπές με τα πλαστικά πώματα που σας παρέχονται.
5. Διατηρείστε και τα τρία τεμάχια: αν το πλυντήριο χρειαστεί να μεταφερθεί, θα πρέπει να ξαναμονταριστούν.

! Οι συσκευασίες δεν είναι παιχνίδια για μικρά παιδιά.

Ευθυγράμμιση

1. Εγκαταστήστε το πλυντήριο σε ένα δάπεδο επίπεδο και ανθεκτικό, χωρίς να το ακουμπήσετε σε τοίχους, έπιπλα ή άλλο.

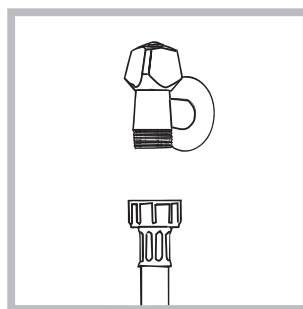


2. Αν το δάπεδο δεν είναι απόλυτα οριζοντιωμένο, αντισταθμίστε τις ανωμαλίες βιδώνοντας ή ξεβιδώνοντας τα πρόσθια ποδαράκια (βλέπε εικόνα). Η γωνία κλίσης, μετρημένη στην επιφάνεια εργασίας, δεν πρέπει να ξεπερνάει τις 2°.

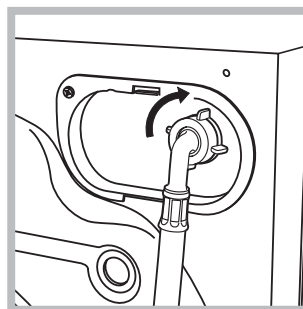
Μια φροντισμένη οριζόντιωση προσδίδει σταθερότητα στη μηχανή και αποσοβεί δονήσεις, θορύβους και μετατοπίσεις κατά τη λειτουργία. Σε περίπτωση μοκέτας ή τάπητα, ρυθμίστε τα ποδαράκια έτσι ώστε να υφίσταται κάτω από το πλυντήριο αρκετός χώρος για τον αερισμό.

Υδραυλικές και ηλεκτρικές συνδέσεις

Σύνδεση του σωλήνα τροφοδοσίας του νερού



1. Συνδέστε το σωλήνα τροφοδοσίας βιδώνοντάς τον σε ένα κρουνοί κρύου νερού με στόμιο σπειρώματος 3/4 gas (βλέπε εικόνα). Πριν τη σύνδεση, αφήστε να τρέξει το νερό μέχρι να γίνει διαυγές.



2. Συνδέστε το σωλήνα τροφοδοσίας στο πλυντήριο βιδώνοντάς τον στην αντίστοιχη είσοδο νερού, στο πίσω μέρος επάνω δεξιά (βλέπε εικόνα).

3. Προσέξτε ώστε στο σωλήνα να μην υπάρχουν ούτε πτυχώσεις, ούτε στενώσεις.

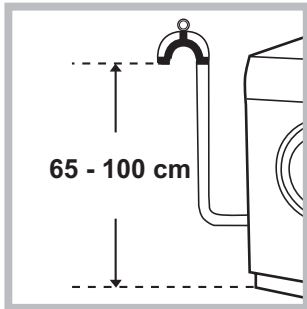
! Η πίεση νερού του κρουνοί πρέπει να κυμαίνεται μεταξύ των τιμών του πίνακα Τεχνικά στοιχεία (βλέπε σελίδα δίπλα).

! Αν το μήκος του σωλήνα τροφοδοσίας δεν επαρκεί, απευθυνθείτε σε ένα ειδικευμένο κατάστημα ή σε εξουσιοδοτημένο τεχνικό.

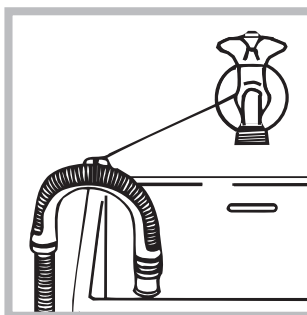
! Μη χρησιμοποιείτε ποτέ χρησιμοποιημένους σωλήνες.

! Χρησιμοποιείτε εκείνους που σας παρέχονται με τη μηχανή.

Σύνδεση του σωλήνα αδειάσματος



Συνδέστε αδειάσματος, χωρίς να τον διπλώσετε, σε έναν αγωγό εκκένωσης ή σε μια επιτοίχια αποχέτευση σε απόσταση από 65 έως 100 cm από το έδαφος.



Διαφορετικά αποθέστε τον στο χείλος ενός νιπτήρα ή μιας λεκάνης, δένοντας τον οδηγό που σας παρέχεται στον κρουνό (βλέπε εικόνα). Το ελεύθερο άκρο του σωλήνα αδειάσματος δεν πρέπει να παραμένει βυθισμένο στο νερό.

! Δεν συνιστάται η χρήση προεκτάσεων σωλήνων. Αν απαιτείται, η προέκταση πρέπει να έχει την ίδια διάμετρο του αρχικού σωλήνα και να μην ξεπερνάει τα 150 cm.

Ηλεκτρική σύνδεση

Πριν εισάγετε το βύσμα στην ηλεκτρική πρίζα, βεβαιωθείτε ότι:

- η πρίζα διαθέτει γείωση και τηρεί τις εκ του νόμου προδιαγραφές.
- Η πρίζα να είναι σε θέση να υποφέρει το μέγιστο φορτίο ισχύος της μηχανής, που αναφέρεται στον πίνακα Τεχνικών στοιχείων (βλέπε δίπλα).
- Η τάση τροφοδοσίας να κυμαίνεται μεταξύ των τιμών που αναφέρονται στον πίνακα Τεχνικών στοιχείων (βλέπε δίπλα).
- Η πρίζα να είναι συμβατή με το βύσμα του πλυντηρίου. Σε αντίθετη περίπτωση, αντικαταστήστε την πρίζα ή το βύσμα.

! Το πλυντήριο δεν εγκαθίσταται σε ανοιχτό χώρο, ακόμη και αν ο χώρος είναι καλυμμένος, διότι είναι πολύ επικίνδυνο να το αφήνετε εκτεθειμένο σε βροχή και κακοκαιρία.

! Με την εγκατάσταση του πλυντηρίου, η πρίζα ρεύματος πρέπει να είναι εύκολα προσβάσιμη.

! Μη χρησιμοποιείτε προεκτάσεις και πολύπριζα.

! Το καλώδιο δεν πρέπει να φέρει πτυχές ή να είναι συμπιεσμένο.

! Το καλώδιο τροφοδοσίας πρέπει να αντικαθίσταται μόνο από εξουσιοδοτημένους τεχνικούς.

Προσοχή! Η επιχείρηση αποποιείται κάθε ευθύνης σε περίπτωση που δεν τηρούνται αυτοί οι κανόνες.

Πρώτος κύκλος πλυσίματος

Μετά την εγκατάσταση, πριν τη χρήση, διενεργήστε ένα κύκλο πλυσίματος με απορρυπαντικό και χωρίς ρούχα θέτοντας το πρόγραμμα 2.

Τεχνικά στοιχεία

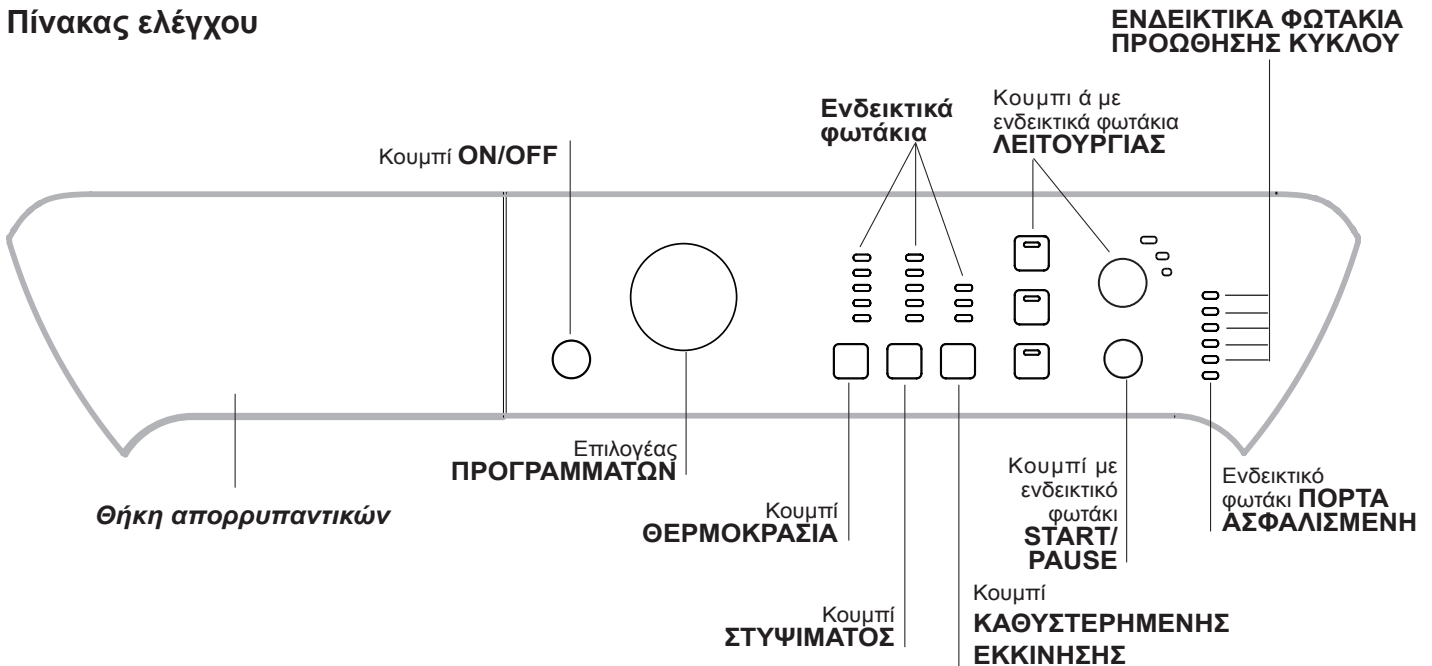
Μοντέλο	PWC 81272 W
Διαστάσεις	πλάτος cm 59,5 ύψος cm 85 βάθος cm 60
Χωρητικότητα	από 1 έως 8 kg
Ηλεκτρικές συνδέσεις	Βλέπε την πινακίδα χαρακτηριστικών επί της μηχανής
Συνδέσεις νερού	μέγιστη πίεση 1 MPa (10 bar) Ελάχιστη πίεση 0,05 MPa (0,5 bar) χωρητικότητα του κάδου 62 λίτρα
Ταχύτητα στυψίματος	μέχρι 1200 στροφές το λεπτό
Προγράμματα δοκιμής σύμφωνα με την οδηγία 2010/1061	πρόγραμμα 2; θερμοκρασία 60 °C και 40 °C.



Η συσκευή αυτή είναι σύμφωνη με τις ακόλουθες Κοινοτικές Οδηγίες:
- 2004/108/CE
(Ηλεκτρομαγνητική Συμβατότητα)
- 2002/96/CE
- 2006/95/CE (Χαμηλή Τάση)

Περιγραφή του πλυντηρίου και εκκίνηση ενός προγράμματος

Πίνακας ελέγχου



Θήκη απορρυπαντικών: για την προσθήκη απορρυπαντικών και πρόσθετων (βλέπε «Απορρυπαντικά και μπουγάδα»).

Κουμπί ON/OFF: Για να ανάψετε ή να σβήσετε το πλυντήριο.

Επιλογέας ΠΡΟΓΡΑΜΜΑΤΩΝ: για να θέσετε τα προγράμματα. Κατά τη διάρκεια του προγράμματος ο επιλογέας παραμένει ακίνητος.

Κουμπι ά με ενδεικτικά φωτάκια ΛΕΙΤΟΥΡΓΙΑΣ: για να επιλέξετε τις διαθέσιμες λειτουργίες. Το σχετικό με την επιλεγείσα λειτουργία ενδεικτικό φωτάκι θα παραμείνει αναμμένο.

Κουμπί ΣΤΥΨΙΜΑΤΟΣ: για να θέσετε το στύψιμο ή να το αποκλείσετε (βλέπε «Εξατομικεύσεις»).

Κουμπί ΘΕΡΜΟΚΡΑΣΙΑ: για να θέσετε τη θερμοκρασία ή το πλύσιμο σε κρύο νερό (βλέπε «Εξατομικεύσεις»).

Κουμπι ΚΑΘΥΣΤΕΡΗΜΕΝΗΣ ΕΚΚΙΝΗΣΗΣ
Καθυστερεί την εκκίνηση της μηχανής μέχρι 9 ώρες. Πιέστε περισσότερες φορές το κουμπί μέχρι να ανάψει το ενδεικτικό φωτάκι το σχετικό με την επιθυμητή καθυστέρηση. Στην τέταρτη φορά που θα πιέσετε το κουμπί η δυνατότητα θα απενεργοποιηθεί.


ΠΑΡΑΤΗΡΗΣΗ: Αφού πατηθεί το κουμπί START/PAUSE, μπορεί να τροποποιηθεί η τιμή της καθυστέρησης μέχρι την εκκίνηση του τεθέντος προγράμματος.

! Είναι ενεργό με όλα τα προγράμματα.

ΕΝΔΕΙΚΤΙΚΑ ΦΩΤΑΚΙΑ ΠΡΟΩΘΗΣΗΣ ΚΥΚΛΟΥ: για να ακολουθείτε την κατάσταση προόδου του προγράμματος πλύσιματος. Το αναμμένο ενδεικτικό φωτάκι δείχνει την σε εξέλιξη φάση.

Ενδεικτικό φωτάκι ΠΟΡΤΑ ΑΣΦΑΛΙΣΜΕΝΗ: για να καταλάβετε αν η πόρτα ανοίγει (βλέπε σελίδα δίπλα).

Κουμπι με ενδεικτικό φωτάκι START/PAUSE: για την εκκίνηση των προγραμμάτων ή την προσωρινή διακοπή τους.

ΣΗΜΕΙΩΣΗ: για να θέσετε σε παύση το σε εξέλιξη πλύσιμο, πιέστε το κουμπι αυτό, το σχετικό ενδεικτικό φωτάκι θα ανάψει με πορτοκαλί χρώμα ενώ εκείνο της σε εξέλιξης φάσης θα είναι συνεχώς αναμμένο. Αν το ενδεικτικό φωτάκι ΠΟΡΤΑ ΑΣΦΑΛΙΣΜΕΝΗ  σβήσει, μπορείτε να ανοίξετε την πόρτα (περιμένετε 3 λεπτά περίπου).

Για να ξεκινήσει πάλι το πλύσιμο από το σημείο διακοπής, πατήστε εκ νέου το κουμπι αυτό.

Τρόπος stand by

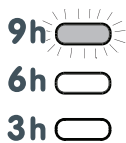
Το πλυντήριο αυτό, σύμφωνα με τις νέες διατάξεις για την εξοικονόμηση ενέργειας, διαθέτει ένα σύστημα αυτόματου σβησίματος (stand by) που τίθεται σε λειτουργία εντός 30 λεπτών στην περίπτωση μη χρήσης. Πιέστε στιγμιαία το κουμπι ON/OFF και περιμένετε να ενεργοποιηθεί εκ νέου η μηχανή.

Ενδεικτικά φωτάκια

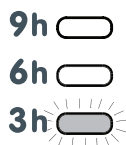
Τα ενδεικτικά φωτάκια παρέχουν σημαντικές πληροφορίες.
Να τι μας λένε:

Καθυστερημένη εκκίνηση

Αν ενεργοποιήθηκε η λειτουργία “Καθυστερημένη εκκίνηση” (βλέπε “Εξατομικεύσεις”), αφού εκκινήσετε το πρόγραμμα, θα αρχίσει να αναβοσβήνει το ενδεικτικό φωτάκι το σχετικό με την επιλεγμένη καθυστέρηση:








Με το πέρασμα του χρόνου θα απεικονίζεται η υπολειπόμενη καθυστέρηση, με το σχετικό ενδεικτικό φωτάκι να αναβοσβήνει.



Αφού ολοκληρωθεί η προεπιλεγμένη χρονοκαθυστέρηση θα αρχίσει το επιλεγμένο πρόγραμμα.

Ενδεικτικά φωτάκι φάσης σε εξέλιξη

Κατά τον επιθυμητό κύκλο πλυσίματος, τα ενδεικτικά φωτάκια θα ανάψουν προοδευτικά για να δείξουν την κατάσταση προώθησης:


Πλύσιμο	
Ξέβγαλμα	
Στύψιμο	
Άδειασμα	
Τέλος Πλυσίματος	

Κουμπιά λειτουργίας και σχετικά ενδεικτικά φωτάκια

Επιλέγοντας μια λειτουργία το σχετικό ενδεικτικό φωτάκι θα φωτιστεί.

Αν η επιλεγμένη λειτουργία δεν είναι συμβατή με το τεθέν πρόγραμμα το σχετικό ενδεικτικό φωτάκι θα αναβοσβήνει και η λειτουργία δεν θα ενεργοποιηθεί.

Αν η επιλεγμένη λειτουργία δεν είναι συμβατή με μια άλλη που επελέγη προηγουμένως, το σχετικό φωτάκι της πρώτης επιλεγμένης λειτουργίας θα αναβοσβήνει και θα ενεργοποιηθεί μόνο η δεύτερη, το ενδεικτικό φωτάκι της ενεργοποιηθείσας λειτουργίας θα φωτιστεί.

Σημείωση: αν είναι ενεργή η δυνατότητα  οποιαδήποτε άλλη δυνατότητα μη συμβατή δεν μπορεί να ενεργοποιηθεί.


Ενδεικτικό φωτάκι ασφαλισμένης πόρτας

Το αναμμένο ενδεικτικό φωτάκι δείχνει ότι η πόρτα είναι μπλοκαρισμένη για να αποφευχθεί το άνοιγμα. Για να ανοίξετε την πόρτα πρέπει το ενδεικτικό φωτάκι να είναι σβηστό (περιμένετε 3 λεπτά περίπου).

Για να ανοίξετε την πόρτα ενώ είναι σε εξέλιξη ένας κύκλος πιέστε το κουμπί START/PAUSE. Αν το ενδεικτικό φωτάκι ΠΟΡΤΑ ΑΣΦΑΛΙΣΜΕΝΗ είναι σβηστό μπορείτε να ανοίξετε την πόρτα.

! Το γρήγορο αναβοσβήσιμο των ενδεικτικών λυχνιών των “Δυνατοτήτων” και εκείνης της START/PAUSE μαζί με το άναμμα των ενδεικτικών λυχνιών της “φάσης σε εξέλιξη” και της ΠΟΡΤΑΣ ΜΠΛΟΚΑΡΙΣΜΕΝΗΣ επισημαίνουν μια ανωμαλία (βλέπε “Ανωμαλίες και λύσεις”).

Εκκίνηση ενός προγράμματος

1. Ανάβει το πλυντήριο πιέζοντας το κουμπί ON/OFF. Όλα τα ενδεικτικά φωτάκια θα ανάψουν για μερικά δευτερόλεπτα, μετά θα παραμείνουν αναμμένα τα ενδεικτικά φωτάκια τα σχετικά με τις ρυθμίσεις του επιλεγμένου προγράμματος και θα πάλλεται το ενδεικτικό φωτάκι START/PAUSE.
2. Φορτώστε τη μπουγάδα και κλείστε την πόρτα.
3. Θέστε με τον επιλογέα ΠΡΟΓΡΑΜΜΑΤΩΝ το επιθυμητό πρόγραμμα.
4. Θέστε τη θερμοκρασία πλυσίματος (βλέπε «Εξατομικεύσεις»).
5. Θέστε την ταχύτητα στύψιματος (βλέπε «Εξατομικεύσεις»).
6. Χύστε απορρυπαντικό και πρόσθετα (βλέπε «Απορρυπαντικά και μπουγάδα»).
7. Επιλέξτε τις διαθέσιμες λειτουργίες.
8. Εκκινήστε το πρόγραμμα πιέζοντας το κουμπί START/PAUSE και το σχετικό ενδεικτικό φωτάκι θα παραμείνει αναμμένο σταθερά με χρώμα μπλε. Για να ακυρώσετε τον τεθέντα κύκλο θέστε τη μηχανή σε παύση πιέζοντας το κουμπί START/PAUSE και επιλέξτε ένα νέο κύκλο.
9. Στο τέλος του προγράμματος θα φωτιστεί το ενδεικτικό φωτάκι END. Όταν η ενδεικτική λυχνία ΠΟΡΤΑ ΑΣΦΑΛΙΣΜΕΝΗ  σβήσει μπορείτε να ανοίξετε την πόρτα (περιμένετε 3 λεπτά περίπου). Βγάλτε τη μπουγάδα και αφήστε την πόρτα μισόκλειστη για να στεγνώσει ο κάδος. Σβήστε το πλυντήριο πιέζοντας το κουμπί ON/OFF.

Προγράμματα

Πίνακας των Προγραμμάτων

Προγράμματα	Περιγραφή του προγράμματος	Μέγιστη θερμοκρ. (°C)	Μέγιστη ταχύτητα (στροφές ανά λεπτό)	Απορρυπαντικά και πρόσθετα				Μέγιστο Φορτίο. (Kg)	Διάρκεια κύκλου
				Προπ-Λυση	Πλυ-Ιμο	Λευκα-ντικό	μαλα-κτικό		
Ημερήσια									
1	Βαμβακερά με Πρόπλυση: Λευκά εξαιρετικά λερωμένα.	90°	1200	●	●	-	●	8	190
2	Βαμβακερά λευκά: Λευκά εξαιρετικά λερωμένα.	90°	1200	-	●	●	●	8	175
2	Βαμβακερά λευκά (1): Λευκά και χρωματιστά ανθεκτικά, πολύ λερωμένα.	60°	1200	-	●	●	●	8	200
2	Βαμβακερά λευκά (1-2): Λευκά και χρωματιστά ευαίσθητα, πολύ λερωμένα.	40°	1200	-	●	●	●	8	160
3	Βαμβακερά: Λευκά και χρωματιστά ανθεκτικά, πολύ λερωμένα.	60°	1200	-	●	●	●	8	140
4	Βαμβακερά Χρωματιστά (3): Λευκά λίγο λερωμένα και ευαίσθητα χρώματα.	40°	1200	-	●	●	●	8	100
5	Συνθετικά: Χρωματιστά ανθεκτικά, λίγο λερωμένα.	60°	800	-	●	●	●	3,5	90
6	Jeans	40°	800	-	●	-	●	4	70
7	Πουκάμισα	40°	600	-	●	●	●	2	70
8	Mix-Cool 30': Για το γρήγορο φρεσκάρισμα ρούχων ελαφρά λερωμένων (δεν ενδείκνυται για μάλλινα, μεταξωτά και ρούχα που πλένονται στο χέρι).	Άδειασμα	800	-	●	-	●	3	30
Ειδικά (Special)									
9	Μάλλινα: Για μάλλινα, cachemire, κλπ.	40°	600	-	●	-	●	2	55
10	Μεταξωτά/ Κουρτίνες: Για μεταξωτά ρούχα, βισκόζη, λινά.	30°	0	-	●	-	●	2	65
11	Παπλώματα: Για ρούχα με εσωτερική επένδυση πούπουλων χήνας.	30°	1000	-	●	-	●	3	120
12	Outwear	30°	600	-	●	-	-	2,5	60
13	Sport Shoes	30°	600	-	●	-	●	(Μέγιστη 2 ζεύγη.)	60
Επί μέρους (Partials)									
☼	Ξέβγαλμα	-	1200	-	-	●	●	8	35
☼	Στύψιμο	-	1200	-	-	-	-	8	15
☼	Άδειασμα	-	0	-	-	-	-	8	2

Η διάρκεια του κύκλου που φαίνεται στην οθόνη ή στο εγχειρίδιο αποτελεί μια εκτίμηση υπολογισμένη με βάση τις σάνταρ συνθήκες. Ο πραγματικός χρόνος μπορεί να ποικίλει με βάση πολυάριθμους παράγοντες όπως θερμοκρασία και πίεση του εισερχόμενου νερού, θερμοκρασία περιβάλλοντος, ποσότητα απορρυπαντικού, ποσότητα και τύπος φορτίου, ισοστάθμιση του φορτίου, πρόσθετες επιλεγμένες δυνατότητες.

Για όλα τα Test Institutes:

- 1) Πρόγραμμα ελέγχου σύμφωνα με την προδιαγραφή 2010/1061: θέστε το πρόγραμμα 2 σε μια θερμοκρασία 60°C και 40°C.
- 2) Πρόγραμμα βαμβακερών μακρύ: θέστε το πρόγραμμα 2 σε μια θερμοκρασία 40°C.
- 3) Πρόγραμμα βαμβακερών σύντομο: θέστε το πρόγραμμα 4 σε μια θερμοκρασία 40°C.

Θέστε τη θερμοκρασία

Πιέζοντας το κουμπί ΘΕΡΜΟΚΡΑΣΙΑ τίθεται η θερμοκρασία πλυσίματος (βλέπε *Πίνακα προγραμμάτων*).

Η θερμοκρασία μπορεί να μειωθεί μέχρι το πλύσιμο σε κρύο νερό ❄.

Το μηχάνημα θα παρεμποδίσει αυτόματα τη θέση θερμοκρασίας μεγαλύτερης της μέγιστης προβλεπόμενης για κάθε πρόγραμμα.

Θέστε το στύψιμο

Πιέζοντας το κουμπί ΣΤΥΨΙΜΟ τίθεται η ταχύτητα στυψίματος του επιλεγμένου προγράμματος.

Οι μέγιστες προβλεπόμενες ταχύτητες για τα προγράμματα είναι:

Προγράμματα Μέγιστη ταχύτητα

Βαμβακερά 1200 στροφές ανά λεπτό

Συνθετικά 800 στροφές ανά λεπτό

Μάλλινα 600 στροφές ανά λεπτό

Μεταξωτά μόνο άδειασμα

Η ταχύτητα στυψίματος μπορεί να ελαττωθεί ή να αποκλειστεί επιλέγοντας το σύμβολο Ⓞ.

Το μηχάνημα θα παρεμποδίσει αυτόματα τη διενέργεια στυψίματος μεγαλύτερου του μέγιστου προβλεπόμενου για κάθε πρόγραμμα.

Λειτουργίες

Οι διάφορες λειτουργίες πλυσίματος που προβλέπονται από το πλυντήριο επιτρέπουν την επίτευξη του καθαρισμού και του λευκού που επιθυμείτε.

Για την ενεργοποίηση των λειτουργιών:

1. πιέστε το πλήκτρο το σχετικό με την επιλεγμένη λειτουργία.
2. Το άναμμα του ενδεικτικού φωτός επισημαίνει ότι η λειτουργία είναι ενεργή.

Παρατήρηση: Το γρήγορο αναβοσβήσιμο του ενδεικτικού φωτός δείχνει ότι η σχετική λειτουργία δεν μπορεί να επιλεγεί για το τεθέν πρόγραμμα.



Η τεχνολογία “PRIME” βελτιστοποιεί την κατανάλωση ενέργειας, νερού και χρόνου με βάση τα ρούχα που έχετε πραγματικά εισάγει. Ακόμη, πατώντας το κουμπί Ⓞ μπορείτε να επιλέξετε τη δυνατότητα:

- **Water (Νερό)**: επιτρέπει τη μείωση της κατανάλωσης νερού χωρίς να παραιτήστε από τα αψεγάδιαστα αποτελέσματα (προτείνεται για ρούχα πολύ λερωμένα).

- **Energy (Ενέργεια)**: δυνατότητα ρυθμιζόμενη αυτόματα από το “PRIME”, μειώνει την κατανάλωση ενέργειας (προτείνεται για ρούχα κανονικά λερωμένα).

- **Time (Χρόνος)**: επιτρέπει τη μείωση της διάρκειας της πλύσης (προτείνεται για ρούχα λίγο λερωμένα).

! Ενεργοποιείται μόνο στα προγράμματα 1, 2, 3, 4, 5 (και τα τρία επίπεδα) και 6, 7, 8 (επίπεδα - **Energy** και - **Time**).

👂 Έξτρα Ξέβγαλμα

Επιλέγοντας τη δυνατότητα αυτή αυξάνεται η αποτελεσματικότητα του ξεβγάλματος και εξασφαλίζεται η μέγιστη απομάκρυνση του απορροπταντικού. Είναι χρήσιμη για επιδερμίδες ιδιαίτερα ευαίσθητες.

! Δεν ενεργοποιείται στα προγράμματα 8, Ⓞ, Ⓞ.

🧺 Εύκολο σιδέρωμα

Επιλέγοντας τη λειτουργία αυτή, το πλύσιμο και το στύψιμο θα τροποποιηθούν κατάλληλα για τη μείωση σχηματισμού τσαλακωμάτων. Στο τέλος του κύκλου θα γίνουν αργές περιστροφές του κάδου. Το ενδεικτικό φωτάκι της δυνατότητας ΕΥΚΟΛΟ ΣΙΔΕΡΩΜΑ και της START/PAUSE θα αναβοσβήνουν (το πρώτο μπλε, το δεύτερο κεχριμπαίρι) και το ενδεικτικό φωτάκι END φωτίζεται. Για το πέρας του κύκλου πρέπει να πατήσετε το κουμπί START/PAUSE ή το κουμπί ΕΥΚΟΛΟ ΣΙΔΕΡΩΜΑ. Στο πρόγραμμα 10-12 η μηχανή θα τελειώσει τον κύκλο με τη μπουγάδα σε μούλιασμα, το ενδεικτικό φωτάκι της λειτουργίας ΕΥΚΟΛΟ ΣΙΔΕΡΩΜΑ και εκείνο της START/PAUSE θα αναβοσβήνουν. Για να αδειάσετε το νερό και να μπορείτε να βγάλετε την μπουγάδα πατήστε το κουμπί START/PAUSE ή το κουμπί ΕΥΚΟΛΟ ΣΙΔΕΡΩΜΑ.

! Δεν ενεργοποιείται στα προγράμματα 8, 9, 13, Ⓞ, Ⓞ.

🌿 Ξελέκισμα

Κύκλος λεύκανσης κατάλληλος για την απομάκρυνση των πλέον ανθεκτικών λεκέδων. Θυμηθείτε να χύσετε τη χλωρίνη στην πρόσθετη θήκη 4 (βλέπε “Κύκλος λεύκανσης”).

! Δεν ενεργοποιείται στα προγράμματα 1, 6, 8, 9, 10, 11, 12, 13, Ⓞ, Ⓞ.

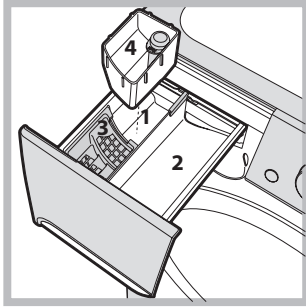
Απορρυπαντικά και μπουγάδα

GR

Θήκη απορρυπαντικών

Το καλό αποτέλεσμα του πλυσίματος εξαρτάται επίσης και από τη σωστή δοσολογία του απορρυπαντικού: υπερβάλλοντας δεν πλένουμε αποτελεσματικότερα και συντελούμε στη δημιουργία κρούστας στα εσωτερικά μέρη του πλυντηρίου και στη μόλυνση του περιβάλλοντος.

! Μη χρησιμοποιείτε απορρυπαντικά για πλύσιμο στο χέρι, διότι παράγουν πολύ αφρό.



Βγάλτε τη θήκη απορρυπαντικών και εισάγετε το απορρυπαντικό ή το πρόσθετο ως εξής.

θήκη 1: Απορρυπαντικό για πρόπλυση (σε σκόνη)

Πριν χύσετε το απορρυπαντικό ελέγξτε αν έχει εισαχθεί η πρόσθετη λεκανίτσα 4.

θήκη 2: Απορρυπαντικό για

πλύσιμο (σε σκόνη ή υγρό)

Το υγρό απορρυπαντικό χύνεται μόνο πριν την εκκίνηση.

θήκη 3: Πρόσθετα (μαλακτικό, κλπ.)

Το μαλακτικό δεν πρέπει να διαφεύγει από το πλέγμα.

θήκη πρόσθετη 4: Λευκαντικό

Κύκλος λεύκανσης

! Η παραδοσιακή χλωρίνη χρησιμοποιείται για τα λευκά ανθεκτικά υφάσματα, η απαλή για τα χρωματιστά υφάσματα, τα συνθετικά και τα μάλλινα.

Η λειτουργία αυτή είναι χρήσιμη για την απομάκρυνση των πλέον ανθεκτικών λεκέδων. Εισάγετε την πρόσθετη θήκη 4, που σας παρέχεται, στη θήκη 1. Στη δοσολογία του λευκαντικού μην ξεπερνάτε τη στάθμη "max" που φαίνεται στον κεντρικό πείρο (βλέπε εικόνα). Για να διενεργήσετε μόνο τη λεύκανση χύστε τη χλωρίνη στην πρόσθετη θήκη 4, ενεργοποιήστε το πρόγραμμα «Ξέβγαλμα» και ενεργοποιήστε τη λειτουργία «Ξελέκασμα» . Για λεύκανση κατά το πλύσιμο χύστε το απορρυπαντικό και τα πρόσθετα, θέστε το επιθυμητό πρόγραμμα και ενεργοποιήστε τη δυνατότητα «Ξελέκασμα» . Η χρήση της πρόσθετης θήκης 4 αποκλείει την πρόπλυση.

Προετοιμασία της μπουγάδας

- Χωρίστε τη μπουγάδα ανάλογα:
 - με το είδος του υφάσματος/ το σύμβολο της ετικέτας.
 - τα χρώματα: χωρίστε τα χρωματιστά ρούχα από τα λευκά.
 - Εκκενώστε τις τσέπες και ελέγξτε τα κουμπιά.
- Μην ξεπερνάτε τις υποδεικνυόμενες τιμές, σε σχέση με το βάρος της στεγνής μπουγάδας:
 - Ανθεκτικά υφάσματα: max 8 kg
 - Συνθετικά υφάσματα: max 3,5 kg
 - Ευαίσθητα υφάσματα: max 2 kg
 - Μάλλινα: max 2 kg
 - Μεταξωτά: max 2 kg

Πόσο ζυγίζει η μπουγάδα;

- 1 σεντόνι 400-500 gr.
- 1 μαξιλαροθήκη 150-200 gr.
- 1 τραπεζομάντιλο 400-500 gr.
- 1 μπουρνούζι 900-1.200 gr.
- 1 πετσέτα 150-250 gr.

Ειδικά ρούχα

Jeans: γυρίστε από την ανάποδη τα ρούχα πριν το πλύσιμο και χρησιμοποιήστε υγρό απορρυπαντικό. Χρησιμοποιήστε το πρόγραμμα 6.

Πουκάμισα: χρησιμοποιήστε το αντίστοιχο πρόγραμμα 7 για να πλύνετε πουκάμισα διαφόρων ειδών υφάσματος και χρώματος. Εξασφαλίζει τη μέγιστη φροντίδα ελαχιστοποιώντας το σχηματισμό τσαλακωμάτων.

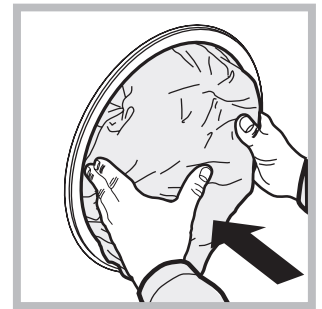
Mix-Cool 30': μελετήθηκε για το πλύσιμο ρούχων ελαφρά λερωμένων σε σύντομο χρόνο: διαρκεί μόνο 30 λεπτά και σας εξοικονομεί χρόνο και ενέργεια. Θέτοντας το πρόγραμμα 8 μπορείτε να πλύνετε σε κρύο νερό υφάσματα διαφορετικής φύσης (εκτός μάλλινων και μεταξωτών) με ένα μέγιστο φορτίο 3 kg.

Μάλλινα: Με το πρόγραμμα 9 μπορείτε να πλένετε στο πλυντήριο όλα τα μάλλινα ρούχα ακόμη και εκείνα με την ετικέτα "μόνο πλύσιμο στο χέρι" . Για καλύτερα αποτελέσματα χρησιμοποιήστε ειδικό απορρυπαντικό και μην ξεπερνάτε τα 2 kg μπουγάδας.

Μεταξωτά: χρησιμοποιήστε το αντίστοιχο πρόγραμμα 10 για να πλύνετε όλα τα μεταξωτά ρούχα. Συνιστάται η χρήση ενός ειδικού απορρυπαντικού για ευαίσθητα ρούχα.

Κουρτίνες: διπλώνετε μέσα σε ένα μαξιλάρι ή σε ένα δικτυωτό σακούλι. Χρησιμοποιήστε το πρόγραμμα 10.

Παπλώματα: για να πλύνετε ρούχα με γέμιση από πούπουλα χήνας όπως παπλώματα διπλά ή μονά (που δεν υπερβαίνουν τα 3 κιλά βάρους), μαξιλάρια, μπουφάν, χρησιμοποιήστε το συγκεκριμένο πρόγραμμα 11 "Πουπουλένια". Συστήνεται να βάζετε τα πουπουλένια στον κάδο διπλώνοντάς τις άκρες προς τα μέσα (βλέπε εικόνας) και να μην ξεπερνάτε τα 3/4 του όγκου του ίδιου του κάδου. Για ένα βέλτιστο πλύσιμο συστήνεται να χρησιμοποιείτε υγρό απορρυπαντικό που θα το δοσολογήτε στη θήκη απορρυπαντικού.



Outwear (πρόγραμμα 12): σχεδιάστηκε για το πλύσιμο υδρόφωβων υφασμάτων και μπουφάν (π.χ. goretex, πολυεστέρας, νάιλον). Για να πετύχετε τα καλύτερα αποτελέσματα χρησιμοποιήστε απορρυπαντικό υγρό και χρησιμοποιήστε μια δόση για μισό φορτίο. Προετοιμάστε μανίκια, λαιμούς και λεκέδες. Μη χρησιμοποιείτε μαλακτικό ή απορρυπαντικό με μαλακτικό. Με το πρόγραμμα αυτό δεν μπορείτε να πλύνετε παπλώματα.

Sport Shoes (πρόγραμμα 13): σχεδιάστηκε για το πλύσιμο αθλητικών υποδημάτων. Για να πετύχετε τα καλύτερα αποτελέσματα μην πλένετε περισσότερα από 2 ζευγάρια.

! Το πλυντήριο σχεδιάστηκε και κατασκευάστηκε σύμφωνα με τους διεθνείς κανόνες ασφαλείας. Αυτές οι προειδοποιήσεις παρέχονται για λόγους ασφαλείας και πρέπει να διαβάζονται προσεκτικά.

Γενική ασφάλεια

- Η συσκευή αυτή σχεδιάστηκε αποκλειστικά για οικιακή χρήση.
- Η συσκευή δεν πρέπει να χρησιμοποιείται από άτομα (συμπεριλαμβανομένων των παιδιών) με φυσικές, αισθητηριακές ή νοητικές ικανότητες και με εμπειρίες και γνώσεις ανεπαρκείς, εκτός κι αν η χρήση αυτή γίνεται υπό την επίβλεψη ή τις οδηγίες ενός ατόμου υπεύθυνου για την ασφάλειά τους. Τα παιδιά πρέπει να επιτηρούνται για να εξασφαλιστεί ότι δεν θα παίξουν με τη συσκευή.
- Το πλυντήριο πρέπει να χρησιμοποιείται μόνο από ενήλικα άτομα και σύμφωνα με τις οδηγίες που αναφέρονται στο παρόν εγχειρίδιο.
- Μην αγγίζετε το μηχάνημα με γυμνά πόδια ή με τα χέρια ή τα πόδια βρεγμένα.
- Μην βγάζετε το βύσμα από την ηλεκτρική πρίζα τραβώντας το καλώδιο, αλλά να πιάνετε την πρίζα.
- Μην ανοίγετε το συρτάκι απορρυπαντικών ενώ το μηχάνημα είναι σε λειτουργία.
- Μην αγγίζετε το νερό αδειάματος, αφού μπορεί να φτάσει σε υψηλές θερμοκρασίες.
- Μην ζορίζετε σε καμία περίπτωση την πόρτα: θα μπορούσε να χαλάσει ο μηχανισμός ασφαλείας που προστατεύει από τυχαία ανοίγματα.
- Σε περίπτωση βλάβης, σε καμία περίπτωση να μην επεμβαίνετε στους εσωτερικούς μηχανισμούς προσπαθώντας να την επισκευάσετε.
- Να ελέγχετε πάντα τα παιδιά να μην πλησιάζουν στο μηχάνημα σε λειτουργία.
- Κατά το πλύσιμο η πόρτα τείνει να θερμαίνεται.
- Αν πρέπει να μετατοπιστεί, συνεργαστείτε δύο ή τρία άτομα με τη μέγιστη προσοχή. Ποτέ μόνοι σας γιατί το μηχάνημα είναι πολύ βαρύ.
- Πριν εισάγετε τη μπουγάδα ελέγξτε αν ο κάδος είναι άδειος.

Σύστημα ισοστάθμισης του φορτίου

Πριν από κάθε στύψιμο, για να αποφύγετε δονήσεις υπερβολικές και για να κατανείμμετε ομοιόμορφα το φορτίο, ο κάδος διενεργεί περιστροφές σε μια ταχύτητα ελαφρά ανώτερη εκείνης του πλυσίματος. Αν στο τέλος των διαδοχικών προσπαθειών το φορτίο δεν έχει ακόμη εξισορροπηθεί σωστά η μηχανή διενεργεί το στύψιμο σε μια ταχύτητα χαμηλότερη της προβλεπόμενης. Παρουσία υπερβολικής αστάθειας, το πλυντήριο διενεργεί την κατανομή αντί του στυψίματος. Για να ευνοηθεί καλύτερη κατανομή του φορτίου και της σωστής εξισορρόπησης συνιστάται η ανάμιξη ρούχων μεγάλων και μικρών διαστάσεων.

Διάθεση

- Διάθεση του υλικού συσκευασίας: τηρείτε τους τοπικούς κανονισμούς, ώστε οι συσκευασίες να μπορούν να επαναχρησιμοποιηθούν.
- Η Ευρωπαϊκή Οδηγία 2002/96/CE για τα απορρίμματα ηλεκτρικών και ηλεκτρονικών συσκευών, προβλέπει ότι οι οικιακές ηλεκτρικές συσκευές δεν πρέπει να διατίθενται στην κανονική ροή των στερεών αστικών απορριμμάτων. Οι απορριπτόμενες συσκευές πρέπει να συλλέγονται χωριστά για να βελτιστοποιείται το ποσοστό ανάκτησης και ανακύκλωσης των υλικών που τις αποτελούν και να αποφεύγονται δυνητικές ζημιές για την υγεία και το περιβάλλον. Το σύμβολο του διαγραμμένου καλαθιού υπάρχει σε όλα τα προϊόντα για να θυμίζει τις υποχρεώσεις χωριστής συλλογής. Για περαιτέρω πληροφορίες, για τη σωστή απομάκρυνση των οικιακών ηλεκτρικών συσκευών, οι κάτοχοι θα μπορούν να απευθύνονται στην αρμόδια δημόσια υπηρεσία ή στους μεταπωλητές.

Συντήρηση και φροντίδα

GR

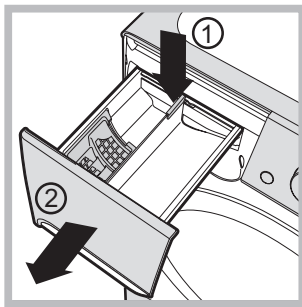
Αποκλεισμός νερού και ηλεκτρικού ρεύματος

- Κλείνετε τον κρουνό του νερού μετά από κάθε πλύσιμο. Έτσι περιορίζεται η φθορά της υδραυλικής εγκατάστασης του πλυντηρίου και αποσοβείται ο κίνδυνος απωλειών.
- Να βγάξετε το βύσμα από το ρεύμα όταν καθαρίζετε το μηχάνημα και κατά τις εργασίες συντήρησης.

Καθαρισμός του πλυντηρίου

Το εξωτερικό μέρος και τα λαστιχένια μέρη μπορούν να καθαρίζονται με ένα πανί βρεγμένο με χλιαρό νερό και σαπούνι. Μη χρησιμοποιείτε διαλύτες ή αποξυστικά.

Καθαρισμός του συρταριού απορρυπαντικών



Για να βγάλετε το συρτάρι πατήστε το μοχλό (1) και τραβήξτε το προς τα έξω (2) (βλέπε εικόνα). Πλένετέ το κάτω από τρεχούμενο νερό. Ο καθαρισμός αυτός διενεργείται συχνά.

Φροντίδα της πόρτας και του κάδου

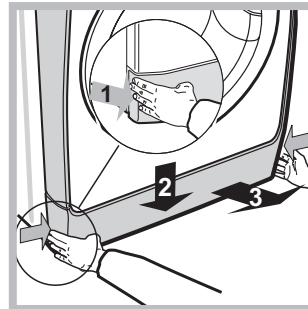
- Να αφήνετε πάντα μισόκλειστη την πόρτα για να μην παράγονται δυσοσμίες.

Καθαρισμός της αντλίας

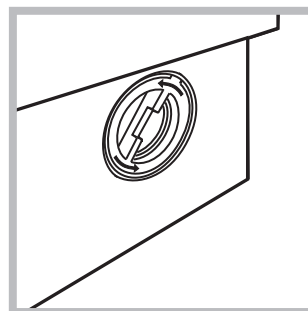
Το πλυντήριο διαθέτει μια αντλία αυτοκαθαριζόμενη που δεν χρειάζεται συντήρηση. Μπορεί, όμως, να τύχει να πέσουν μικρά αντικείμενα (κέρματα, κουμπιά) στον προθάλαμο που προστατεύει την αντλία, που βρίσκεται στο κάτω μέρος αυτής.

! Βεβαιωθείτε ότι ο κύκλος πλυσίματος έχει τελειώσει και βγάλτε το βύσμα.

Για να έχετε πρόσβαση στον προθάλαμο:



1. αφαιρέστε το πάνελ κάλυψης στο πρόσθιο πλευρό της μηχανής προς το κέντρο, κατόπιν ωθήστε προς τα κάτω αμφότερα τα πλευρά και βγάλτε το (βλέπε εικόνες).



2. Ξεβιδώστε το καπάκι στρέφοντάς το αριστερόστροφα (βλέπε εικόνα): είναι φυσικό να βγαίνει λίγο νερό.

3. καθαρίστε επιμελώς το εσωτερικό
4. ξαναβιδώστε το καπάκι
5. ξαναμοντάρετε το πάνελ όντας σίγουροι, πριν το σπρώξετε προς τη μηχανή, ότι έχετε εισάγει τα γαντζάκια στις αντίστοιχες εσοχές.

Έλεγχος του σωλήνα τροφοδοσίας του νερού

Ελέγχετε το σωλήνα τροφοδοσίας τουλάχιστον μια φορά ετησίως. Αν παρουσιάζει σκασίματα και σχισμές αντικαθίσταται: κατά τα πλυσίματα οι ισχυρές πιέσεις θα μπορούσαν να προκαλέσουν αναπάντεχα σπασίματα.

! Μη χρησιμοποιείτε ποτέ χρησιμοποιημένους σωλήνες.

Μπορεί να συμβεί το πλυντήριο να μη λειτουργεί. Πριν τηλεφωνήσετε στην Υποστήριξη (βλέπε “Υποστήριξη”), ελέγξτε αν δεν πρόκειται για πρόβλημα που επιλύεται εύκολα με τη βοήθεια του ακόλουθου καταλόγου.

Ανωμαλίες:

Το πλυντήριο δεν ανάβει.

Ο κύκλος πλυσίματος δεν ξεκινάει.

Το πλυντήριο δεν φορτώνει νερό (αναβοσβήνει γρήγορα το ενδεικτικό φωτάκι της πρώτης φάσης πλύσης).

Το πλυντήριο φορτώνει και αδειάζει νερό συνεχώς.

Το πλυντήριο δεν φορτώνει ή δεν στύβει.

Το πλυντήριο δονείται πολύ κατά το στύψιμο.

Το πλυντήριο χάνει νερό.

Τα ενδεικτικά φωτάκια των “δυνατοτήτων” και το ενδεικτικό φωτάκι “ START/PAUSE” αναβοσβήνουν και ένα από τα φωτάκια της “φάσης σε εξέλιξη” και “ ΠΟΡΤΑ ΑΣΦΑΛΙΣΜΕΝΗ” ανάβει σταθερά.

Σχηματίζεται πολύς αφρός.

Δυνατά αίτια / Λύση:

- Το βύσμα δεν έχει εισαχθεί στην ηλεκτρική πρίζα ή τουλάχιστον όχι αρκετά για να κάνει επαφή.
- Στο σπίτι δεν υπάρχει ρεύμα.

- Η πόρτα δεν κλείνει καλά.
- Το κουμπί ON/OFF δεν πατήθηκε.
- Το κουμπί START/PAUSE δεν πατήθηκε.
- Η βρύση του νερού δεν είναι ανοιχτή.
- Τέθηκε μια καθυστέρηση στον χρόνο εκκίνησης.

- Ο σωλήνας τροφοδοσίας του νερού δεν είναι συνδεδεμένος στον κρουνό.
- Ο σωλήνας είναι διπλωμένος.
- Η βρύση του νερού δεν είναι ανοιχτή.
- Στο σπίτι λείπει το νερό.
- Δεν υπάρχει αρκετή πίεση.
- Το κουμπί START/PAUSE δεν πατήθηκε.

- Ο σωλήνας αδειάσματος δεν έχει εγκατασταθεί μεταξύ 65 και 100 cm από το έδαφος (βλέπε «Εγκατάσταση»).
 - Το άκρο του σωλήνα αδειάσματος είναι βυθισμένο στο νερό (βλέπε «Εγκατάσταση»).
 - Το επιτοίχιο άδειασμα δεν έχει απαέρωση.
- Αν μετά από αυτούς τους ελέγχους το πρόβλημα δεν λύνεται, κλείστε τη βρύση του νερού, σβήστε το πλυντήριο και καλέστε την υποστήριξη. Αν η κατοικία βρίσκεται στους τελευταίους ορόφους ενός κτιρίου, μπορεί να διαπιστωθούν φαινόμενα σιφωνισμού, οπότε το πλυντήριο φορτώνει και αδειάζει νερό συνεχώς. Για την αντιμετώπιση του προβλήματος διατίθενται στο εμπόριο κατάλληλες βαλβίδες αντι-σιφωνισμού.

- Το πρόγραμμα δεν προβλέπει το άδειασμα: με ορισμένα προγράμματα πρέπει να το εκκινήσετε χειρονακτικά.
- Είναι ενεργή η δυνατότητα “Εύκολο σιδέρωμα”: για την ολοκλήρωση του προγράμματος πέστε το κουμπί START/PAUSE (“Προγράμματα και δυνατότητες”).
- Ο σωλήνας αδειάσματος είναι διπλωμένος (βλέπε «Εγκατάσταση»).
- Ο αγωγός εκκένωσης είναι βουλωμένος.

- Ο κάδος, τη στιγμή της εγκατάστασης, δεν ξεμπλόκαρε σωστά (βλέπε “Εγκατάσταση”).
- Το πλυντήριο δεν είναι οριζοντιωμένο (βλέπε “Εγκατάσταση”).
- Το πλυντήριο είναι πολύ στενά μεταξύ τοίχου και επίπλων (βλέπε “Εγκατάσταση”).

- Ο σωλήνας τροφοδοσίας του νερού δεν είναι καλά βιδωμένος (βλέπε “Εγκατάσταση”).
- Η θήκη των απορρυπαντικών είναι βουλωμένη (για να την καθαρίσετε βλέπε “Συντήρηση και φροντίδα”).
- Ο σωλήνας αδειάσματος δεν έχει στερεωθεί καλά (βλέπε «Εγκατάσταση»).

- Σβήστε τη μηχανή και βγάλτε το βύσμα από την πρίζα, περιμένετε περίπου 1 λεπτό μετά ξαναάψτε τη.
- Αν η ανωμαλία επιμένει, καλέστε την Υποστήριξη.

- Το απορρυπαντικό δεν είναι ειδικό για πλυντήριο (πρέπει να υπάρχει η ένδειξη “για πλυντήριο”, “για πλύσιμο στο χέρι και στο πλυντήριο”, ή παρόμοια).
- Η δοσολογία υπήρξε υπερβολική.

Υποστήριξη

GR

Πριν επικοινωνήσετε με την Υποστήριξη:

- Ελέγξτε αν η ανωμαλία μπορεί να την αντιμετωπίσετε μόνοι σας (βλέπε “Ανωμαλίες και λύσεις”);
- Επανεκκινήστε το πρόγραμμα για να ελέγξετε αν το πρόβλημα αντιμετωπίστηκε;
- Σε αρνητική περίπτωση, επικοινωνήστε με την εξουσιοδοτημένη Τεχνική Υποστήριξη στον τηλεφωνικό αριθμό που υπάρχει στο πιστοποιητικό εγγύησης.

! Μην καταφεύγετε ποτέ σε μη εξουσιοδοτημένους τεχνικούς.

Γνωστοποιήστε:

- το είδος της ανωμαλίας;
- το μοντέλο του μηχανήματος (Mod.);
- τον αριθμό σειράς (S/N).

Οι πληροφορίες αυτές βρίσκονται στην ταμπελίτσα που υπάρχει στο πίσω μέρος του πλυντηρίου και στο πρόσθιο μέρος ανοίγοντας την πόρτα.

UK

Українська

PWC 81272 W

Зміст

Встановлення, 50-51

Розпакування та вирівнювання
Підключення води й електроенергії
Перший цикл прання
Технічні дані

Опис пральної машини та запуску програм, 52-53

Панель керування
Індикаторні лампи
Як запусити програму

Програми, 54

Таблиця програм

Налаштування під власні потреби, 55

Встановлення температури
Встановлення центрифуги
Опції

Пральні засоби та білизна, 56

Касета для пральних засобів
Цикл відбілювання
Підготовка білизни
Особливі речі

Заходи безпеки та поради, 57

Загальна безпека
Система балансування завантаження
Утилізація

Чищення та догляд, 58

Відключення води й електричного живлення
Очищення пральної машини
Чищення касети для пральних засобів
Догляд за люком та барабаном
Чищення насосу
Контроль труби подачі води

Несправності та засоби їх усунення, 59

Допомога, 60

Встановлення

УК

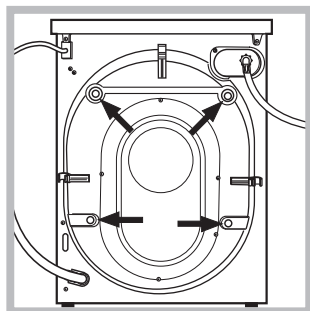
! Необхідно зберігати дану брошуру, щоб мати нагоду звернутися до неї у будь-який момент. У випадку продажу, передачі іншій особі або переїзду переконайтеся, що інструкція перебуває разом із пральною машиною й новий власник може ознайомитися з її принципами роботи й відповідними запобіжними заходами.

! Уважно вивчіть інструкцію: в ній міститься важлива інформація щодо встановлення, використання та безпеки.

Розпакування та вирівнювання

Розпакування

1. Розпакування пральної машини
2. Вдоскональтеся, що машина не зазнала ушкоджень під час транспортування. Якщо вона має пошкодження, не виконуйте ніяких підключень та негайно зверніться до постачальника.



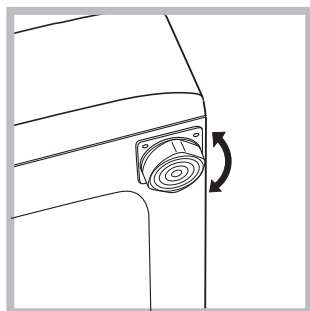
3. Видаліть 4 запобіжні гвинти для транспортування та прокладку з відповідною розпірною деталлю, які знаходяться позаду (див. малюнок).

4. Закрийте отвори пластиковими заглушками з комплекту постачання.
5. Збережіть усі деталі: якщо пральна машина має перевозитися, їх потрібно встановити знову.

! Забороняйте дітям гратися з упаковками.

Вирівнювання

1. Встановіть пральну машину на рівній та твердій підлозі, не притуляючи її до стін, меблів, тощо.

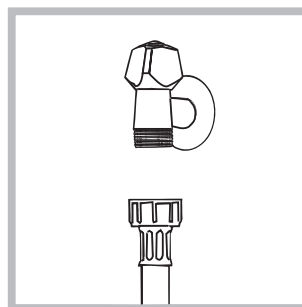


2. Якщо підлога не є ідеально горизонтальною, компенсуйте нерівності за допомогою передніх ніжок (див. малюнок) – розкручуючи чи закручуючи їх; кут нахилу відносно робочої поверхні не повинен перевищувати 2°.

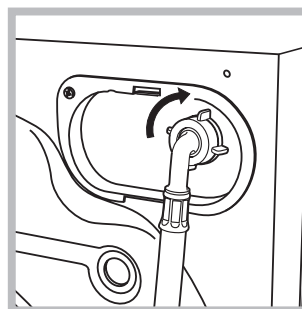
Належне вирівнювання надає стабільність машині та запобігає вібрації, шуму та пересуванню під час роботи. При встановленні машини на килимовому покритті або килимі відрегулюйте ніжки таким чином, щоб залишити під пральною машиною достатній простір для вентиляції.

Підключення води й електроенергії

Під'єднання труби подачі води



1. Підключити живлячий трубопровід, прикрутивши його до крану холодної води за допомогою штуцера з газовою різьбою 3/4 (див. малюнок). Перед підключенням спустіть воду, доки вона не стане прозорою.



2. Підключіть трубу подачі води до пральної машини, прикрутивши її до роз'єму для води, який знаходиться угорі праворуч на задньому боці машини (див. малюнок).

3. Зверніть увагу, щоб труба не мала згинів та утисків.

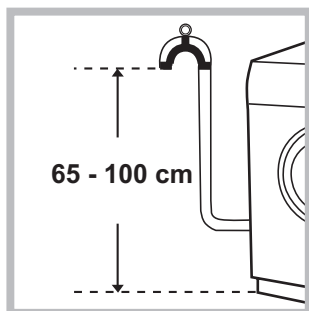
! Тиск води в крані має відповідати значенням у таблиці Технічних даних (див. сторінку поруч).

! Якщо довжини труби подачі води не вистачає, зверніться у спеціалізовану крамницю або до уповноваженого фахівця.

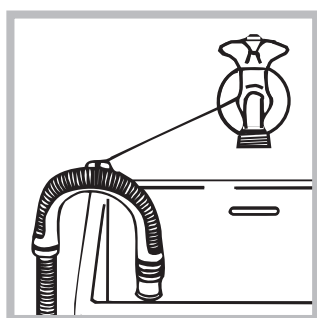
! Не використовуйте ніколи труби, що вже були у користуванні.

! Використовуйте труби з комплекту постачання до машини.

Підключення зливного шланга



Підключіть зливний шланг, не згинаючи його, до каналізаційного каналу або до входу до такого каналу на стіні, на відстані від 65 до 100 см від підлоги;



або покладіть його на край вмивальника або ванни, поєднавши направляючу, яка входить до комплекту постачання, до крану (див. малюнок). Не залишайте вільний кінець зливного шланга зануреним у воду.

! Використання подовжувача шланга не рекомендоване. В разі необхідності використання подовжувача шлангу, переконайтеся у тому, що він має той самий діаметр та його довжина не перевищує 150 см.

Електричні підключення

Перш ніж вставити вилку в електричну розетку, переконайтеся, що:

- розетка має заземлення у відповідності до встановлених норм;
- розетка розрахована на максимальне навантаження у межах потужності машини, зазначене у таблиці Технічних даних (див. малюнок поруч);
- напруга живлення перебуває у межах, зазначених у таблиці Технічних даних (див. малюнок поруч);
- розетка підходить до вилки пральної машини. В іншому випадку замініть розетку або вилку.

! Машину не можна встановлювати поза приміщенням, навіть в захищених місцях, тому що дуже небезпечно піддавати її впливу дощу і грози.

! Коли машину вже встановлено, забезпечте вільний доступ до електричної розетки.

! Не використовуйте подовжувачі й трійники.



! Шнур живлення не повинен мати згинів або утисків.

! Проводити заміну шнура живлення можуть тільки вповноважені фахівці.

Увага! Компанія знімає з себе відповідальність за умови недотримання вказаних норм.

Перший цикл прання

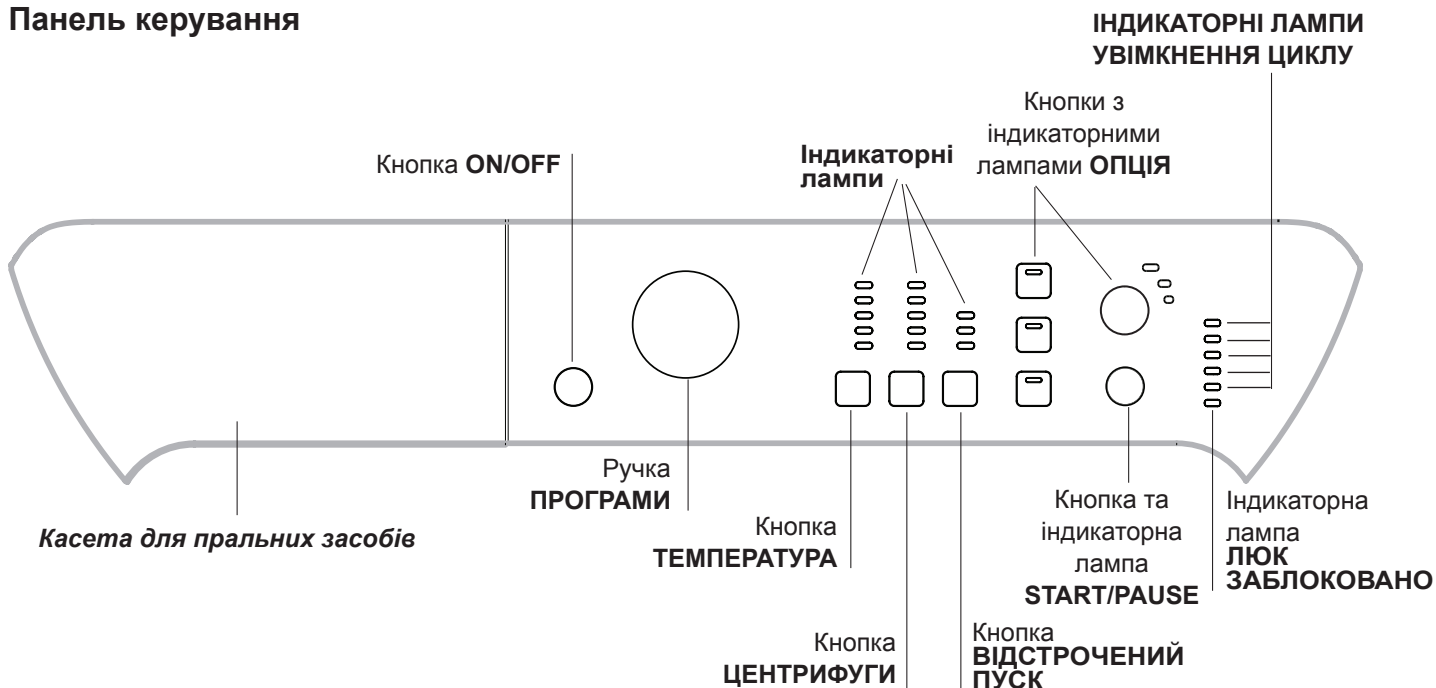
Після встановлення та перш ніж розпочати використання машини, виконайте цикл прання з пральним засобом але не завантажуючи білизну, встановивши програму 2.

Технічні дані	
Модель	PWC 81272 W
Розміри	ширина 59,5 см висота 85 см глибина 60 см
Кількість білизни	від 1 до 8 кг
Електричні підключення	див. шильдік з технічними даними на машині
Водопровідні підключення	максимальний тиск 1 мПа (10 бар) мінімальний тиск 0,05 мПа (0,5 бар) об'єм баку – 62 літри
Швидкість центрифуги	до 1200 обертів на хвилину
Програма випробувань відповідно до Директиви 2010/1061	програма 2; температура 60°C і 40°C.
 	Цей прилад відповідає таким європейським директивам: - 2004/108/CE (Електромагнітна сумісність) - 2002/96/CE - 2006/95/CE (Низька напруга)

Опис пральної машини та процедури із запуску програм

УК

Панель керування



Касета з пральним засобом: для завантаження пральних засобів та засобів догляду (див. “Пральні засоби та білизна”).

Кнопка ON/OFF: для увімкнення й вимкнення пральної машини

Ручка ПРОГРАМИ: для задання бажаних програм. Під час програми ручка залишається нерухомою.

Кнопки та індикаторні лампи ОПЦІЯ: для вибору наявних опцій. Індикаторна лампа обраної опції залишається увімкненою.

Кнопка ЦЕНТРИФУГИ: для установки центрифуги або для вимкнення її (див. “Налаштування під власні потреби”).

Кнопка ТЕМПЕРАТУРА: для установки температури або холодного прання (див. “Налаштування під власні потреби”).

Кнопка ВІДСТРОЧЕНИЙ ПУСК
Відстрочує початок роботи машини до 9 годин включно. Натисніть декілька разів на кнопку, доки не спалахне індикаторна лампа бажаного відстрочення. При четвертому натисканні на кнопку опція вимикається.

Н.В.: При натиснутій кнопці ПУСК/ПАУЗА можна тільки зменшувати час відстрочення.

! Кнопка працює в усіх програмах.

ІНДИКАТОРНІ ЛАМПИ УВІМКНЕННЯ ЦИКЛУ: для спостереження за станом програми прання. Увімкнена індикаторна лампа вказує на активовану фазу.

Індикаторна лампа ЛЮК ЗАБЛОКОВАНО: для перевірки того, чи люк може відкриватись (див. сторінку поруч).

Кнопка та індикаторна лампа START/PAUSE: для запуску програм або для їх тимчасового переривання. **Увага:** щоб установити в режим паузи поточне прання, натисніть на цю кнопку, відповідна кнопка почне блимати помаранчевим кольором, в той час як індикаторна лампа поточної фази світлитиметься постійним світлом. Якщо індикаторна лампа ЛЮК ЗАБЛОКОВАНО згасне, можна відкривати люк для завантаження білизни (Приблизно через 3 хвилини). Щоб продовжити прання з місця, де воно було перервано, знову натисніть на цю кнопку.

Режим очікування

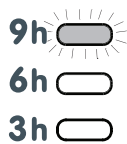
Відповідно до норм, пов'язаних з заощадження енергії, цю пральну машину оснащено системою автовимкнення (stand by), яка активується через декілька (30) секунд відсутності роботи з боку машини. Швидко натисніть кнопку ON/OFF та зачекайте відновлення роботи машини.

Індикаторні лампи

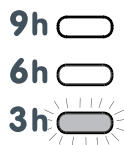
Індикаторні лампи надають важливу інформацію. От на що вони вказують:

Відстрочений пуск

Якщо активовано опцію "Відстрочений пуск" (див. "Налаштування під власні потреби"), тоді після запуску програми розпочне блимати індикаторна лампа, пов'язана з відстрочкою, яку було задано:






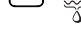
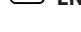
Протягом усього часу шляхом блимання відповідної індикаторної лампи відображається час відстрочення, який залишився до запуску:



Після завершення вибраного часу відстрочки розпочнеться задана програма.


Індикаторні лампи поточних операцій

Після обрання та запуску бажаного циклу прання індикаторні лампи вмикаються по черзі, щоб вказати на стан програми:

Прання	
Полоскання	
Віджим	
Злив	
Кінець прання	

Кнопки опцій та відповідні індикаторні лампи

Після вибору опції відповідна індикаторна лампа починає світитися. Якщо вибрана опція несумісна з заданою програмою, індикаторна лампа почне блимати й опція не активується. Якщо вибрана опція не є сумісною з іншою, раніше вибраною, індикаторна лампа попередньої функції почне блимати, при цьому буде активовано тільки останню опцію, засвітиться індикаторна лампа активованої опції.


Зауваження: при активованій опції інтелектуального режиму  будь-яка інша несумісна опція не зможе бути активованою.

Індикаторна лампа ЛЮК ЗАБЛОКОВАНО

Увімкнена індикаторна лампа вказує на те, що люк заблокований; відкривати люк можна лише коли ця лампа не світиться (Приблизно через 3 хвилини). Щоб відкрити люк під час виконання циклу, натисніть кнопку START/PAUSE; якщо індикаторна лампа ЛЮК ЗАБЛОКОВАНО згасла, це означає, що можна відкрити люк.

! Швидке блимання індикаторних ламп "Опції" та START/PAUSE одночасно із горінням індикаторної лампи "поточної стадії" та ЛЮК ЗАБЛОКОВАНО свідчить про неполадки (див. "Несправності та засоби їх усунення").




Як запусити програму

1. Ввімкніть пральну машину, натиснувши кнопку ON/OFF. Усі індикаторні лампи спалахнуть разом на кілька секунд, потім залишаться горіти індикаторні ламп, що відповідають параметрам заданої програми, індикаторна лампа START/PAUSE почне блимати.
2. Завантажте білизну й закрийте люк.
3. Встановіть за допомогою ручки ПРОГРАМ бажану програму.
4. Встановіть температуру прання (див. "Налаштування під власні потреби").
5. Встановіть швидкість центрифуги (див. "Налаштування під власні потреби").
6. Додайте пральні засоби та засоби догляду (див. "Пральні засоби та білизна").
7. Виберіть бажані опції.
8. Запустіть програму, натиснувши кнопку START/PAUSE, відповідна індикаторна лампа спалахне синім світлом. Для скасування заданого циклу встановіть машину в режим паузи, натиснувши кнопку START/PAUSE, та оберіть новий цикл.
9. Наприкінці програми почне світитися індикаторна лампа "END". Якщо індикаторна лампа ЛЮК ЗАБЛОКОВАНО  згасне, можна відкривати люк для завантаження білизни (Приблизно через 3 хвилини). Вийміть білизну та залиште люк напіввідкритим, щоб висушити барабан. Вимкніть пральну машину, натиснувши на кнопку ON/OFF.

Програми

УК

Таблиця програм

Програми	Опис програми	Макс. темп. (°C)	Макс. швидкість (обертів за хвилину)	Пральні засоби та додаткові засоби				Макс. завантаження (кг)	Тривалість циклу
				Попереднє прання	Прання	Відбілювач	Пом'якшувач		
Програми, якими можна користуватися щодня									
1	Бавовна з попереднім пранням: вкрай забруднен біл.	90°	1200	●	●	-	●	8	190
2	Біла бавовна: вкрай забруднен біл.	90°	1200	-	●	●	●	8	175
2	Біла бавовна (1): дуже забруднені стійкі білі та кольорові тканини.	60°	1200	-	●	●	●	8	200
2	Біла бавовна (1-2): дуже забруднені делікатні білі та кольорові тканини.	40°	1200	-	●	●	●	8	160
3	Бавовна: дуже забруднені стійкі білі та кольорові тканини.	60°	1200	-	●	●	●	8	140
4	Бавовна кольорова (3): злегка забруднені білі та кольорові делікатні тканини.	40°	1200	-	●	●	●	8	100
5	Синтетичні: Злегка забруднені кольорові стійкі тканини	60°	800	-	●	●	●	3,5	90
6	Джинси	40°	800	-	●	-	●	4	70
7	Сорочки	40°	600	-	●	●	●	2	70
8	Mix-Cool 30': Для швидкого освіження злегка забруднених речей (не рекомендоване для вовняних, шовкових речей або речей для ручного прання)	Холодна вода	800	-	●	-	●	3	30
Особливі									
9	Вовна: для речей з вовни, кашеміру, тощо.	40°	600	-	●	-	●	2	55
10	Шовк/Портсьери: для речей з шовку, віскози, для нижньої білизни.	30°	0	-	●	-	●	2	65
11	Пухо-пір'яні вироби: для пухо-пір'яних вироб.	30°	1000	-	●	-	●	3	120
12	Outwear	30°	600	-	●	-	-	2,5	60
13	Sport Shoes	30°	600	-	●	-	●	Макс 2 пари	60
Часткові									
	Ополіскування	-	1200	-	-	●	●	8	35
	Віджим	-	1200	-	-	-	-	8	15
	Злив	-	0	-	-	-	-	8	2

Тривалість циклу, вказана на дисплеї або в керівництві, розрахована на основі стандартних умов роботи. Фактичний час може залежати від чисельних факторів, таких як температура і тиск подаваної води, температура у приміщенні, кількість миючого засобу, кількість і тип завантаженої білизни, зрівноваження завантаженої білизни, додаткові обрані опції.

- 1) Програма керування згідно до норми 2010/1061: встановити програму 2 з температурою 60°C і 40°C.
- 2) Довга програма бавовна: задайте програму 2 з температурою 40°C.
- 3) Коротка програма бавовна: задайте програму 4 з температурою 40°C.

Налаштування під власні потреби

Встановлення температури

Натисніть кнопку **ТЕМПЕРАТУРИ**, ви можете задати температуру прання (див. *Таблицю програм*).

Ви можете знижувати температуру аж до прання в холодній воді (❄️).

Машина перешкоджатиме встановленню температури, яка перевищує максимально дозволена для кожної конкретної програми.

Встановлення центрифуги

Натисніть кнопку **ЦЕНТРИФУГИ**, ви можете задати швидкість центрифуги обраної програми.

Максимальні значення швидкості, передбачені для програм:

Програми	Максимальна швидкість
Бавовна	1200 обертів за хвилину
Синтетичні тканини	800 обертів за хвилину
Вовна	600 обертів за хвилину
Шовк	тільки злив води

Швидкість центрифуги можна зменшити чи виключити взагалі; оберіть для цього позначку (⊘).

Машина автоматично перешкоджатиме віджиму, який перевищує максимально дозволена значення для кожної конкретної програми.

Опції

Різноманітні опції прання, передбачені у пральній машині, дозволяють отримати бажану чистоту та білизну ваших речей.

Для активації опцій:

- натисніть на кнопку бажаної опції;
- запалення відповідної індикаторної лампи вказує на те, що опцію активовано.

Примітка: Швидке блимання індикаторної лампи вказує на те, що відповідну опцію не можна обрати для заданої програми.



Технологія «PRIME» на основі фактично завантажених речей оптимізує споживання енергії, води і часу. Крім того, натисканням на кнопку (⊙) можна обрати опцію:

- **Water (Вода)**: Дозволяє зменшити споживання води без впливу на результати, які залишаються відмінними (рекомендується для дуже забруднених речей).

- **Energy (Енергія)**: опція встановлюється автоматично з «PRIME» та забезпечує енергозбереження (рекомендується для звичайно забруднених речей).

- **Time (Час)**: дозволяє зменшити тривалість прання (рекомендується для злегка забруднених речей).

! Може працювати лише з програмами 1, 2, 3, 4, 5 (всі три рівні) та 6, 7, 8 (рівні - **Energy** та - **Time**).

Додаткове полоскання

При виборі цієї опції збільшується ефективність полоскання, забезпечуючи повніше видалення прального засобу. Вона є зручною для осіб зі шкірою, особливо чутливою до пральних засобів.

! Не працює з програмами 8, ⊙, ❄️.

Полегшене прасування

При виборі даної функції режими прання і віджиму будуть відповідно змінені для зменшення утворення складок. Наприкінці циклу пральна машина виконає повільні оберти барабану; індикаторна лампа опції **ПОЛЕГШЕНОГО ПРАСУВАННЯ** та **START/PAUSE** блиматимуть (перша синім світлом, друга - янтарним) індикаторна лампа **“END”** запалюється. Для завершення циклу натисніть на кнопки **START/PAUSE** чи **ПОЛЕГШЕНОГО ПРАСУВАННЯ**.

У програмі 10-12 машина закінчить цикл із замоченою білизною й увімкне індикаторну лампу функції **ПОЛЕГШЕНОГО ПРАСУВАННЯ** та **START/PAUSE**, які почнуть блимати. Щоб злити воду й отримати можливість витягнути білизну, натисніть на кнопку **START/PAUSE** або кнопку **ПОЛЕГШЕНОГО ПРАСУВАННЯ**.

! Не працює з програмами 8, 9, 13, ⊙, ❄️.

Видалення плям

Цикл відбілювання придатний для видалення найбільш стійких плям. Не забувайте додати відбілювач у додаткову ванночку 4 (див. *“Цикл відбілювання”*).

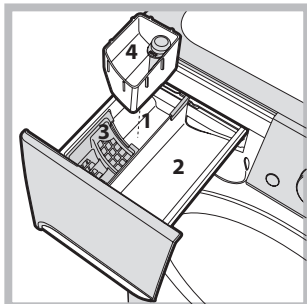
! Не працює з програмами 1, 6, 8, 9, 10, 11, 12, 13, ⊙, ❄️.

Пральні засоби та білизна

UK

Касета з пральним засобом

Добрий результат прання залежить також від правильного дозування прального засобу: надлишок прального засобу приведе до неефективного прання та сприятиме утворенню накипу всередині пральної машини, а також забрудненню довілля.



! Не використовуйте засоби для ручного прання, тому що вони утворюють надто багато піни. Витягніть касету для пральних засобів та додайте пральні засоби або засоби з догляду, як вказано нижче.
ванночка 1: Засіб для попереднього прання (порошковий)

Перш ніж додати пральний засіб, перевірте, щоб не була вставлена додаткова ванночка 4.

ванночка 2: Засіб для прання (порошковий чи рідкий)

Рідкий пральний засіб наливайте безпосередньо перед запуском машини.

ванночка 3: Засоби з догляду (пом'якшувач, тощо)

Пом'якшувач не має витікати з решітки.

додаткова ванночка 4: Відбілювач

Цикл відбілювання

! Традиційний **відбілювач** використовується міцних білих тканин, делікатний **відбілювач** для кольорових тканин, синтетичних тканин та для вовни. Вставте додаткову ванночку 4 з комплекту постачання у ванночку 1. Під час дозування відбілювача не перевищуйте максимальний рівень "max", зазначений на центральному стрижні (див. малюнок). Якщо ви бажаєте тільки відбілити білизну, додайте відбілювач у додаткову ванночку 4, встановіть програму "Полоскання" та активуйте функцію "Видалення плям". Для відбілювання під час прання додайте пральний засіб та засоби для догляду, встановіть бажану програму та активуйте функцію "Видалення плям". Використання додаткової ванночки 4 виключає попереднє прання.

Підготовка білизни

- Розділіть білизну, враховуючи:
 - тип тканини / позначку на етикетці.
 - кольори: відокремте кольорові речі від білих.
- Перевірте кишені й ґудзики.
- Не перевищуйте вказані значення щодо ваги сухої білизни:
 - Міцні тканини: макс. 8 кг
 - Синтетичні тканини: макс. 3,5 кг
 - Делікатні тканини: макс. 2 кг
 - Вовна: макс. 2 кг
 - Шовк: макс. 2 кг

Скільки важить білизна?

- 1 простирадло 400-500 г
- 1 наволочка 150-200 г
- 1 скатертина 400-500 г
- 1 махровий халат 900-1200 г
- 1 рушник 150-250 г

Особливі речі

Джинси: виверніть речі навиворіт перед пранням та використовуйте рідкий пральний засіб. Використовуйте програму 6.

Сорочки: використовуйте спеціальну програму 7 для прання сорочок різних кольорів та з різних тканин. Завдяки меншому утворенню складок гарантується максимальний догляд за виробом.

Mix-Cool 30': розроблений для прання злегка забруднених речей за короткий час: його тривалість складає лише 30 хвилин, що заощаджує енергоспоживання та час. За допомогою програми 8 можна випрати разом речі з різноман. тканин (за винятком вовни та шовку) при максимальному завантаженні у 3 кг.

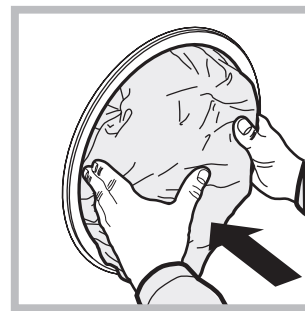
Вовна: за допомогою програми 9 можна прати у пральній машині всі вироби із вовни, навіть ті, що мають ярлик "тільки ручне прання". Щоб отримати кращі результати, використовуйте спеціальний пральний засіб та не перевищуйте завантаження в 2 кг.

Шовк: використовуйте спеціальну програму 10 для прання шовкових речей. Рекомендується використання спеціального прального засобу для делікатних виробів.

Штори: рекомендується скласти й покласти у наволочку або мішечок з сітки. Скористайтеся програмою 10.

Пухо-пір'яні вироби: для прання виробів із наповненням з гусячого пуху, таких як подвійні й одинарні ковдри (які не перевищують за вагою 3 кг), подушки, куртки, використовуйте спеціальну програму 11 Пухо-пір'яні вироби. Такі вироби рекомендується завантажити у барабан у згорнутому вигляді з краями, загорнутими всередину (див. малюнок), при цьому не перевищуйте $\frac{3}{4}$ об'єму самого барабану.

Для оптимального прання рекомендується використовувати рідкий засіб, який необхідно налити у касету для пральних засобів.



Outwear (програма 12) розрахована для прання непромокальних тканин та жакетів (напр., горетекс, поліефір, нейлон); для отримання найкращих результатів використовуйте рідкий пральний засіб та відмірте дозу для половинного завантаження; заздалегідь обробіть манжети, комірки та плями; не використовуйте пом'якшувачі або пральні засоби з пом'якшувачами. Використовуючи цю програму, не можна прати набивні пуховики.

Sport Shoes (програма 13) розрахована для прання спортивного взуття; для отримання найкращих результатів не завантажуйте більше 2 пар взуття.

! Проектування та виробництво машини здійснено у відповідності до міжнародних норм безпеки. Ці попередження надаються задля вашої безпеки: уважно ознайомтеся з ними.

Загальна безпека

- Даний прилад розроблений виключно для побутового використання.
- Цей апарат не має використовуватися дітьми або особами з обмеженими фізичними, сенсорними чи розумовими можливостями, або якщо їм бракує досвіду та необхідних знань. Винятки складають ситуації, коли користування відбувається під наглядом або за вказівками осіб, відповідальних за їхню безпеку. Дорослі мають стежити, щоб діти не гралися з апаратом.
- Машина має використовуватися тільки повнолітніми особами і згідно з інструкціями, наведеними у даній брошурі.
- Не торкайтеся машини голими ногами або мокрими чи вологими руками й ногами.
- Не виймайте вилку з електричної розетки, витягуючи її за шнур, тримайтеся тільки за саму вилку.
- Не відкривайте касету з пральними засобами під час роботи машини.
- Будьте обережні: вода, що зливається, може бути дуже гарячою.
- У жодному випадку не застосовуйте силу до люку: це може ушкодити запобіжний механізм проти випадкових відкривань.
- Якщо машина не працює через несправності, у жодному випадку не робіть спроб самостійно виконати ремонт внутрішніх механізмів.
- Слідкуйте, щоб діти не наближалися до працюючої машини.
- Під час прання люк нагріватиметься.
- Пересування машини має здійснюватися двома або трьома особами за умови максимальної уваги. Ні в якому разі - однією особою, тому що машина дуже важка.
- Перш ніж завантажити білизну, перевірте, щоб барабан був порожній.

Система балансування завантаження

Перед кожним віджимом, для запобігання надмірній вібрації та для рівномірного розподілу навантаження, барабан здійснює оберти на дещо більшій швидкості, ніж швидкість прання. Якщо по закінченні декількох спроб завантажені речі ще не були правильно відбалансовані, машина здійснює віджим на швидкості, нижчій від передбаченої. У випадку надмірної незбалансованості пральна машина здійснює розподіл замість віджиму. З метою оптимального розподілу завантаження та його правильного балансування рекомендується одночасне прання великих і малих речей.

Утилізація

- Утилізація пакувального матеріалу: дотримуйтеся місцевих норм, так як пакування може бути використане повторно.
- Європейська директива 2002/96/CE з відходів електричної й електронної апаратури передбачає, що побутові електроприлади не можуть перероблятися у звичайному порядку для твердих міських відходів. Зняті з експлуатації побутові прилади мають бути зібрані окремо для оптимізації ступеню відновлення й повторного використання матеріалів, що входять до їхнього складу, та з метою усунення потенційної шкоди для здоров'я та довкілля. Символ закресленої корзини, зображений на всіх виробках, нагадує про необхідність окремої утилізації. Для подальшої інформації щодо правильної утилізації побутової техніки, їхні власники можуть звернутися до відповідних міських служб або до постачальника.

Догляд та очищення

UK

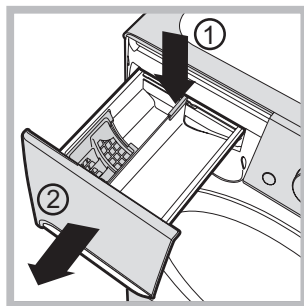
Як відключити воду й електричне живлення

- Закривайте водопровідний кран після кожного прання. У такий спосіб зменшується знос гідравлічної частини машини й усувається небезпека витoku.
- Виймайте штепсель з розетки під час миття машини та під час робіт з технічного обслуговування.

Очищення пральної машини

Зовнішня частина і гумові деталі можуть бути вимиті ганчіркою, змоченою у мильному розчині теплої води. Не використовуйте розчинники або абразивні засоби.

Очищення касети для пральних засобів



Щоб витягти касету, натисніть на важіль (1) і потягніть касету назовні (2) (див. малюнок). Промийте під проточною водою; ця процедура має проводитися регулярно.

Догляд за люком та барабаном

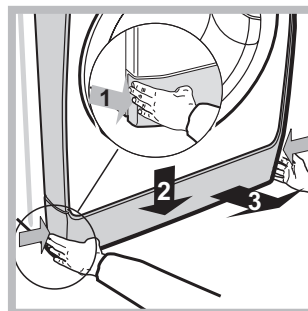
- Завжди залишайте люк напіввідкритим для запобігання утворенню неприємних запахів.

Миття насосу

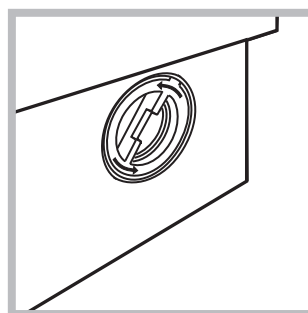
Пральну машину обладнано насосом з автоматичним очищенням, який не вимагає технічного обслуговування. Може трапитися так, що малі предмети (монети, гудзики) потраплять до форкамери, що захищає насос, розташований у її нижній частині.

! Переконайтеся у тому, що цикл прання закінчено і витягніть вилку з розетки.

Щоб потрапити до форкамери:



1. зніміть захисну панель з передньої частини машини шляхом натискання у центрі, потім натисніть униз з обох боків та витягніть її (див. малюнок).



2. відкрутіть кришку, обертаючи її проти годинникової стрілки (див. малюнок): виток незначної кількості води є нормальним;

3. ретельно очистіть всередині;
4. знову закрутіть кришку;
5. встановіть панель на місце, пересвідчіться у тому, що крюки були вставлені у спеціальні петлі, після чого притисніть її до машини.

Перевірка шланга для подачі води

Перевіряйте шланг для подачі води не менше одного разу на рік. Якщо на ньому є тріщини, він підлягає заміні: під час прання високий тиск може призвести до розірвання.

! Не користуйтеся шлангами, які були вже у вживанні.

Може так статися, що пральна машина не працюватиме. Перш ніж зателефонувати до служби Допомоги (див. "Допомога"), перевірте можливість легкого усунення проблеми за допомогою наступного списку.

Несправності:

Пральна машина не вмикається.

Можливі причини/Рішення:

- Штепсель не вставлений в електричну розетку або вставлений не до кінця.
- У будинку немає електроенергії.

Цикл прання не розпочинається.

- Люк погано закрито.
- Кнопку ON/OFF не було натиснуто.
- Кнопку START/PAUSE не було натиснуто.
- Водопровідний кран закритий.
- Якщо відстрочення задане на час запуску .

Пральна машина не завантажує воду (швидко блимає індикаторна лампа першої фази прання).

- Трубу подачі води не під'єднано до водопровідного крану.
- Перегин у трубі.
- Водопровідний кран закритий.
- У водопроводі немає води.
- Недостатній тиск.
- Кнопку START/PAUSE не було натиснуто.

Пральна машина безперервно завантажує та зливає воду.

- Зливний шланг не знаходиться на відстані від 65 до 100 см від підлоги (див. "Встановлення").
- Кінець зливного шланга занурений у воду (див. "Встановлення").
- Стінний каналізаційний злив не має віддушини для виходу повітря (вантуза). Якщо після таких перевірок проблема залишається, закрийте водопровідний кран, вимкніть машину і зателефонуйте до служби Допомоги. Якщо квартира знаходиться на верхніх поверхах будинку, можливо, відбувається сифонний ефект, при якому машина безперервно завантажує й зливає воду. Щоб його ліквідувати, існують спеціальні антисифонні клапани, які можна придбати у торговельній мережі.

Пральна машина не зливає воду або не вмикає центрифугу.

- Програма не передбачає зливання води: у деяких програмах це потрібно зробити вручну.
- Активовано опцію ПОЛЕГШЕНОГО ПРАСУВАННЯ: для завершення програми натисніть на кнопку START/PAUSE.
- Перегин зливного шланга (див. "Встановлення").
- Засмітився зливний шланг.

Пральна машина дуже вібрує під час роботи центрифуги.

- Барабан, у момент встановлення, не був правильно розблокований (див. "Встановлення").
- Машина стоїть не на рівній поверхні (див. "Встановлення").
- Машину затиснуто між меблями і стіною (див. "Встановлення").

З пральної машини витікає вода.

- Погано пригвинчено трубу подачі води (див. "Встановлення").
- Забруднена касета для пральних засобів (як вимити див. "Догляд та очищення").
- Погано закріплений зливний шланг (див. "Встановлення").

Світлодіоди "опцій" та "START/PAUSE" блимають, один зі світлодіодів "поточної фази" та "ЛЮК ЗАБЛОКОВАНО" світитиметься постійно.

- Вимкніть машину й витягніть штепсель з розетки, зачекайте близько 1 хвилини й увімкніть її повторно. Якщо несправність не усунена, зателефонуйте до служби Допомоги.

Утворюється занадто багато піни.

- Пральний засіб не підходить до пральної машини (повинен мати напис "для машинного прання", "для ручного та машинного прання" або подібні).
- Перевищена доза прального засобу.

UK

Перш ніж звернутися по Допомогу:

- Перевірте, чи можна самостійно вирішити проблему (див. "Несправності і засоби їх усунення").
- Перезапустіть програму, щоб перевірити, чи усунено несправність;
- У протилежному випадку, зверніться до авторизованої служби технічної Допомоги за телефонним номером, вказаним на гарантійному сертифікаті.

! Звертайтеся виключно до уповноважених фахівців.

Треба повідомити:

- тип несправності;
- модель машини (Мод.);
- серійний номер (S/N).

Цю інформацію ви знайдете на шильдику на задній стороні пральної машини та на передній стороні, якщо відкрити люк.